

SONY[®]

TRINITRON[®] COLOR VIDEO MONITOR

PVM-14L2
PVM-20L2

SERVICE MANUAL

2nd Edition

Serial No. From 2100001 to 2199999: PVM-14L2 (SY)

Serial No. From 2600001 to 2699999: PVM-14L2 (AUS)

Serial No. From 6100001 to 6199999: PVM-14L2 (CH)

Serial No. From 2100001 to 2199999: PVM-20L2 (SY)

Serial No. From 2600001 to 2699999: PVM-20L2 (AUS)

Serial No. From 6100001 to 6199999: PVM-20L2 (CH)

⚠ 警告

このマニュアルは、サービス専用です。
お客様が、このマニュアルに記載された設置や保守、点検、修理などを行うと感電や火災、人身事故につながる可能性があります。
危険をさけるため、サービストレーニングを受けた技術者のみご使用ください。

⚠ WARNING

This manual is intended for qualified service personnel only.
To reduce the risk of electric shock, fire or injury, do not perform any servicing other than that contained in the operating instructions unless you are qualified to do so. Refer all servicing to qualified service personnel.

⚠ WARNUNG

Die Anleitung ist nur für qualifiziertes Fachpersonal bestimmt.
Alle Wartungsarbeiten dürfen nur von qualifiziertem Fachpersonal ausgeführt werden. Um die Gefahr eines elektrischen Schlages, Feuergefahr und Verletzungen zu vermeiden, sind bei Wartungsarbeiten strikt die Angaben in der Anleitung zu befolgen. Andere als die angegebenen Wartungsarbeiten dürfen nur von Personen ausgeführt werden, die eine spezielle Befähigung dazu besitzen.

⚠ AVERTISSEMENT

Ce manuel est destiné uniquement aux personnes compétentes en charge de l'entretien. Afin de réduire les risques de décharge électrique, d'incendie ou de blessure n'effectuer que les réparations indiquées dans le mode d'emploi à moins d'être qualifié pour en effectuer d'autres. Pour toute réparation faire appel à une personne compétente uniquement.

WARNING!!

AN INSULATED TRANSFORMER SHOULD BE USED DURING ANY SERVICE TO AVOID POSSIBLE SHOCK HAZARD, BECAUSE OF LIVE CHASSIS. THE CHASSIS OF THIS RECEIVER IS DIRECTLY CONNECTED TO THE AC POWER LINE.

SAFETY-RELATED COMPONENT WARNING !!

COMPONENTS IDENTIFIED BY A Δ MARK ON THE SCHEMATIC DIAGRAMS, EXPLODED VIEWS AND IN THE PARTS LIST ARE CRITICAL TO SAFE OPERATION. REPLACE THESE COMPONENTS WITH SONY PARTS WHOSE PART NUMBERS APPEAR AS SHOWN IN THIS MANUAL OR IN SUPPLEMENTS PUBLISHED BY SONY. CIRCUIT ADJUSTMENTS THAT ARE CRITICAL TO SAFE OPERATION ARE IDENTIFIED IN THIS MANUAL. FOLLOW THESE PROCEDURES WHENEVER CRITICAL COMPONENTS ARE REPLACED OR IMPROPER OPERATION IS SUSPECTED.

ATTENTION!!

AFIN D'ÉVITER TOUT RISQUE D'ÉLECTROCUTION PROVENANT D'UN CHÂSSIS SOUS TENSION, UN TRANSFORMATEUR D'ISOLEMENT DOIT ÊTRE UTILISÉ LORS DE TOUT DÉPANNAGE. LE CHÂSSIS DE CE RÉCEPTEUR EST DIRECTEMENT RACCORDÉ À L'ALIMENTATION SECTEUR.

ATTENTION AUX COMPOSANTS RELATIFS À LA SÉCURITÉ!!

LES COMPOSANTS IDENTIFIÉS PAR UNE MAPQUE Δ SUR LES SCHÉMAS DE PRINCIPE, LES VUES EXPLOSÉES ET LES LISTES DE PIÈCES SONT D'UNE IMPORTANCE CRITIQUE POUR LA SÉCURITÉ DU FONCTIONNEMENT. NE LES REMPLACER QUE PAR DES COMPOSANTS SONY DONT LE NUMÉRO DE PIÈCE EST INDIQUÉ DANS LE PRÉSENT MANUEL OU DANS DES SUPPLÉMENTS PUBLIÉS PAR SONY. LES RÉGLAGES DE CIRCUIT DONT L'IMPORTANCE EST CRITIQUE POUR LA SÉCURITÉ DU FONCTIONNEMENT SONT IDENTIFIÉS DANS LE PRÉSENT MANUEL. SUIVRE CES PROCÉDURES LORS DE CHAQUE REMPLACEMENT DE COMPOSANTS CRITIQUES, OU LORSQU'UN MAUVAIS FONCTIONNEMENT EST SUSPECTÉ.

Table of Contents

1. Service Overview

1-1.	Appearance Figure (14 inch).....	1-1
1-2.	Board Locations (14 inch).....	1-1
1-3.	Disassembly (14 inch).....	1-2
1-3-1.	Top Cover Assembly and Rear Cover (14 inch).....	1-2
1-3-2.	B Board (14 inch).....	1-3
1-3-3.	Q Board (14 inch).....	1-4
1-3-4.	G and Q Block Assemblies (14 inch).....	1-5
1-3-5.	G Board (14 inch).....	1-5
1-3-6.	C Board and Deflection Yoke (14 inch).....	1-6
1-3-7.	Picture Tube (14 inch).....	1-6
1-3-8.	H, J and X Boards (14 inch).....	1-7
1-3-9.	Anode Cap (14 inch).....	1-7
1-4.	Appearance Figure (20 inch).....	1-8
1-5.	Board Locations (20 inch).....	1-8
1-6.	Disassembly (20 inch).....	1-9
1-6-1.	Top Cover and Rear Cover (20 inch).....	1-9
1-6-2.	B Board (20 inch).....	1-10
1-6-3.	Q Board (20 inch).....	1-11
1-6-4.	G and Q Block Assemblies (20 inch).....	1-12
1-6-5.	G Board (20inch).....	1-12
1-6-6.	C Board and Deflection Yoke (20 inch).....	1-13
1-6-7.	Picture Tube (20 inch).....	1-14
1-6-8.	J and H Boards (20 inch).....	1-15
1-6-9.	Anode Cap (20 inch).....	1-16
1-7.	Warning on Power Connection.....	1-16

2. Set-up Adjustment

2-1.	Equipment Required.....	2-1
2-2.	Preparations (1).....	2-1
2-3.	Preparation (2). Initialization.....	2-7
2-4.	Writing Model Data.....	2-7
2-5.	Picture Output.....	2-7
2-6.	Free-run Frequency Adjustment.....	2-8
2-7.	Landing Adjustment.....	2-8
2-8.	Focus Adjustment.....	2-10
2-9.	Convergence Adjustment (1).....	2-10
2-10.	Deflection Yoke Neck Rotation Adjustment.....	2-11
2-11.	Convergence Adjustment (2).....	2-12
2-12.	H Blanking Adjustment.....	2-13
2-13.	V BLK Adjustment.....	2-13

2-14.	Deflection Adjustment	2-14
2-15.	G2 Adjustment	2-15
2-16.	White Balance Adjustment	2-16
2-17.	SUB BRIGHT, SUB CONTRAST Adjustment	2-16
2-18.	White Balance Interference Correction Adjustment	2-17
2-18-1.	NTSC Composite Adjustment	2-17
2-18-2.	PAL Composite Adjustment	2-17
2-18-3.	COMPONENT Adjustment	2-17
2-18-4.	SDI Adjustment	2-17

3. Safety Related Adjustment

3-1.	+B Voltage Check	3-1
3-2.	High Tension Regulator Confirmation	3-2
3-3.	Protection Circuit Confirmation	3-2
3-3-1.	HV Protector Circuit Confirmation	3-2

4. Electrical Adjustments

4-1.	Equipment Required	4-1
4-2.	B Board Adjustments	4-2
4-2-1.	Preparations	4-2
4-2-2.	NTSC SETUP 0 Mode Adjustment	4-3
4-2-2-1.	Y/C Input	4-3
4-2-2-2.	Composite Input	4-4
4-2-3.	NTSC SETUP 7.5 Mode Adjustment	4-4
4-2-3-1.	Y/C Input	4-4
4-2-3-2.	Composite Input	4-4
4-2-4.	PAL Mode Adjustment	4-5
4-2-4-1.	Y/C Input	4-5
4-2-4-2.	Composite Input	4-5
4-2-5.	Y PBPR SMPTE (601) Signal Adjustment	4-6
4-2-6.	Y PBPR BETACAM SETUP 0 Signal Adjustment	4-6
4-2-7.	Y PBPR BETACAM SETUP 7.5 Signal Adjustment	4-7

5. Theory of Operation

5-1.	B Board	5-1
5-2.	Deflection and High Voltage Circuit	5-3
5-3.	Power Supply Circuit	5-4

6. Semiconductors 6-1

7. Spare Parts

7-1. Notes on Repair Parts	7-1
7-2. Exploded Views	7-2
7-3. Electrical Parts List	7-18

8. Block Diagrams

B (1/3), B1, Q (1/2), G (1/2)	8-1
B (2/3), C, H (1/2)	8-2
B (3/3), H (2/2), Q (2/2), X	8-3
G (2/2), J, DY	8-4

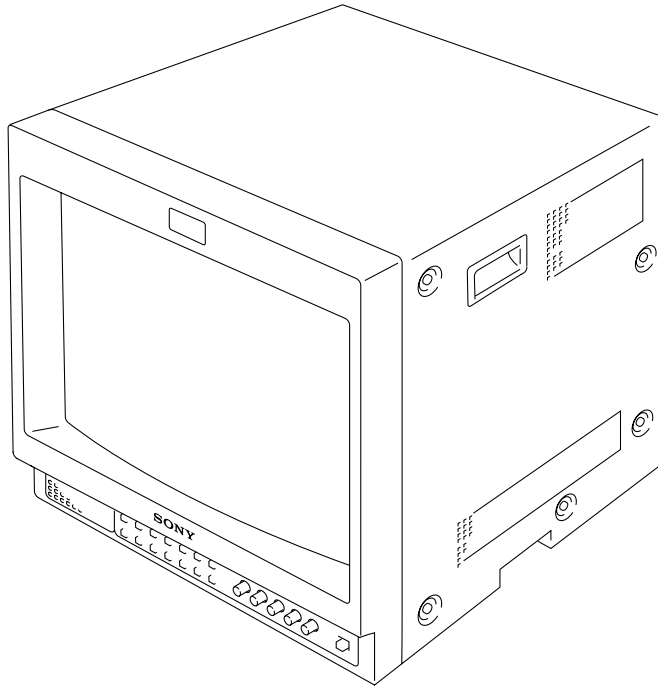
9. Diagrams

9-1. Schematic Diagrams and Board Layouts	9-2
Schematic Diagrams	
Q (1/2)	9-3
Q (2/2)	9-4
B (1/5)	9-5
B (2/5)	9-6
B (3/5)	9-7
B (4/5)	9-8
B (5/5)	9-9
X	9-8
C (PVM-14L2)	9-15
C (PVM-20L2)	9-17
H	9-19
J	9-19
G (1/4)	9-22
G (2/4)	9-23
G (3/4)	9-24
G (4/4)	9-25
Board Layouts	
Q	9-2
B	9-12
C (PVM-14L2)	9-14
C (PVM-20L2)	9-16
H	9-18
J	9-18
X	9-18
G	9-20

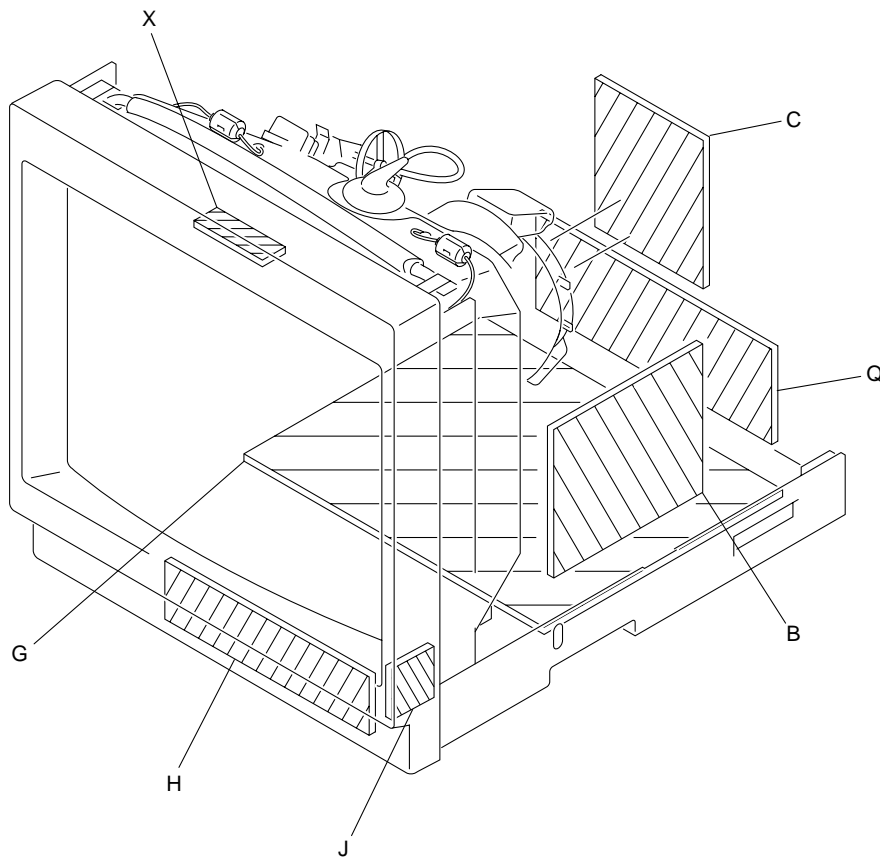
Section 1

Service Overview

1-1. Appearance Figure (14 inch)

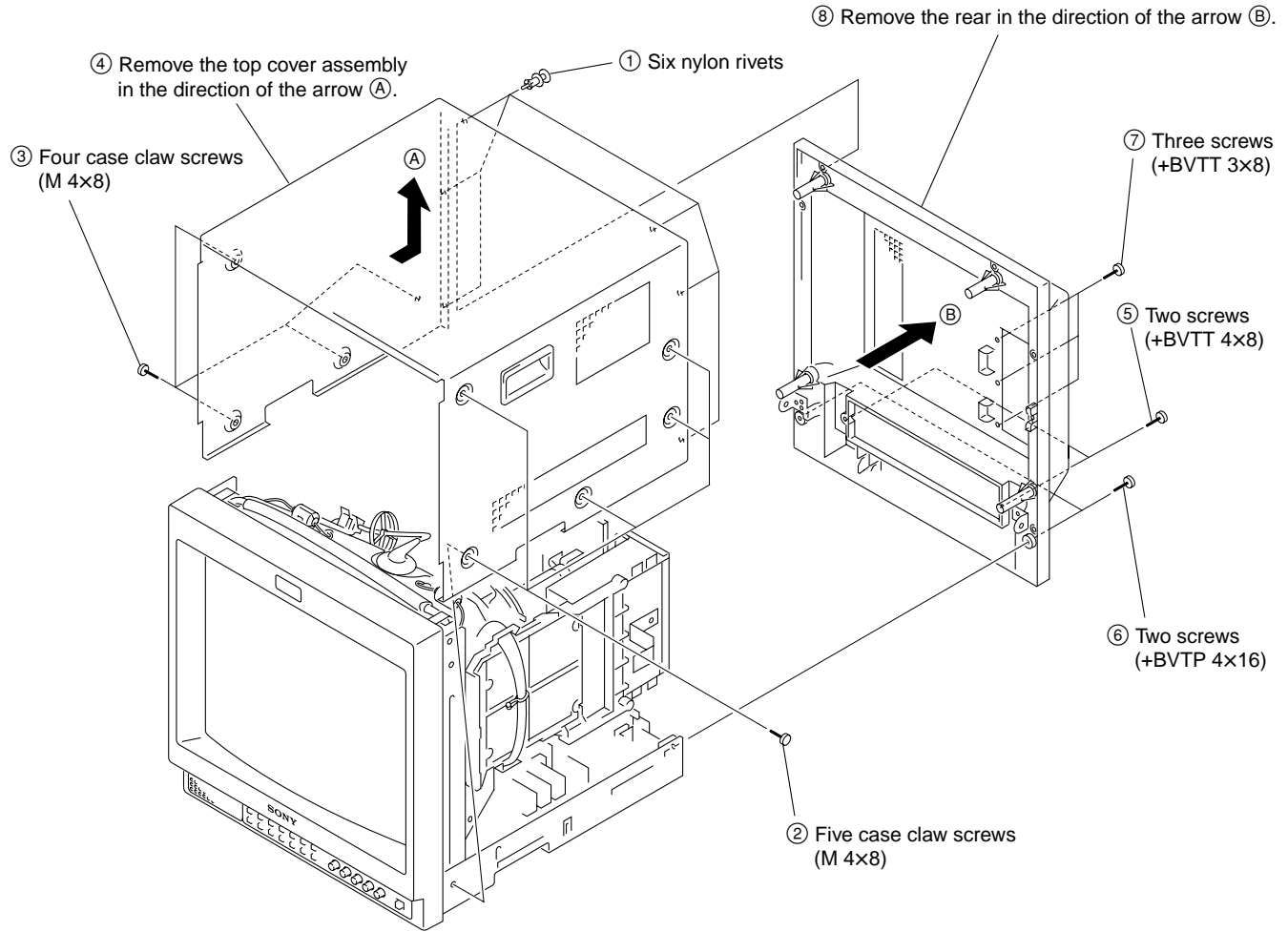


1-2. Board Locations (14 inch)



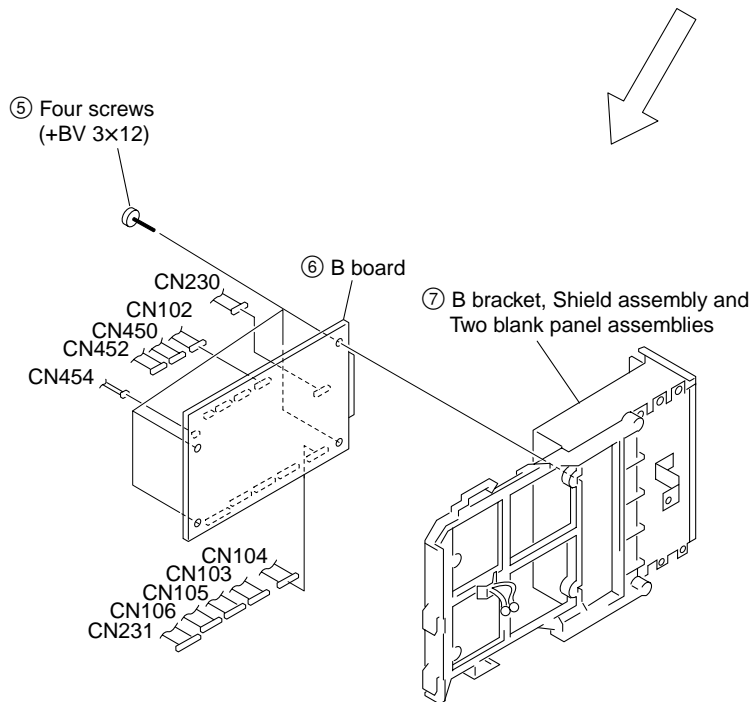
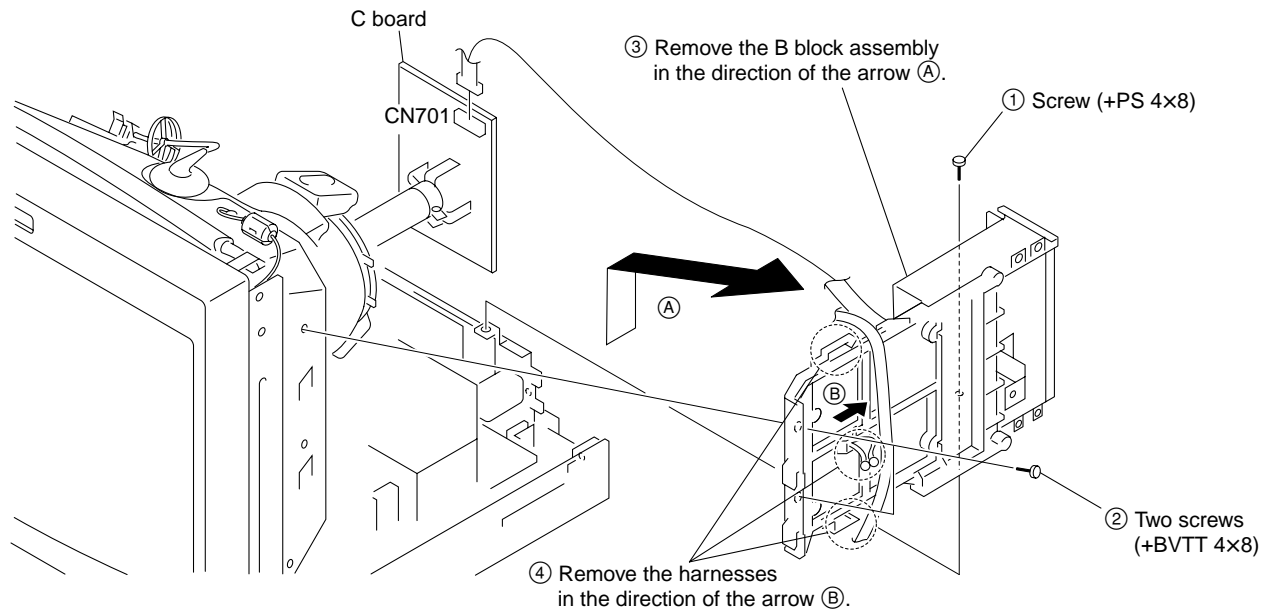
1-3. Disassembly (14 inch)

1-3-1. Top Cover Assembly and Rear Cover (14 inch)



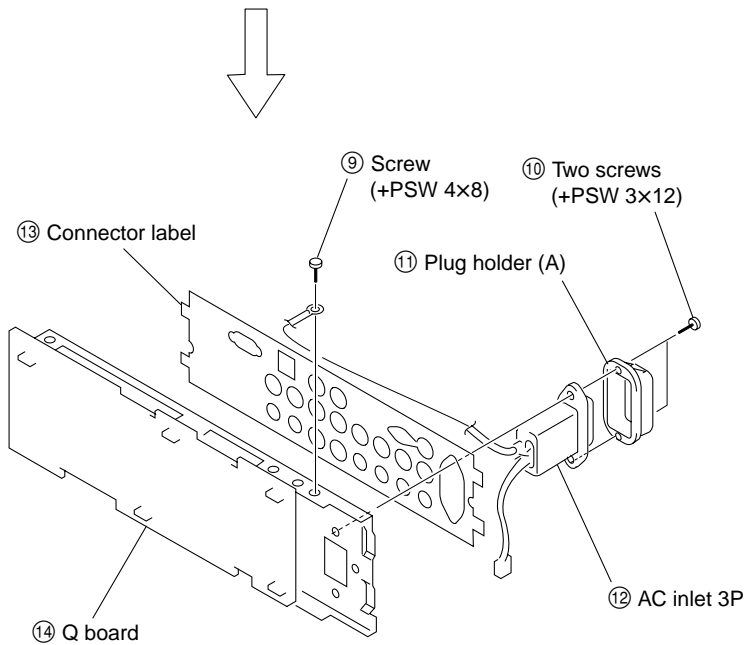
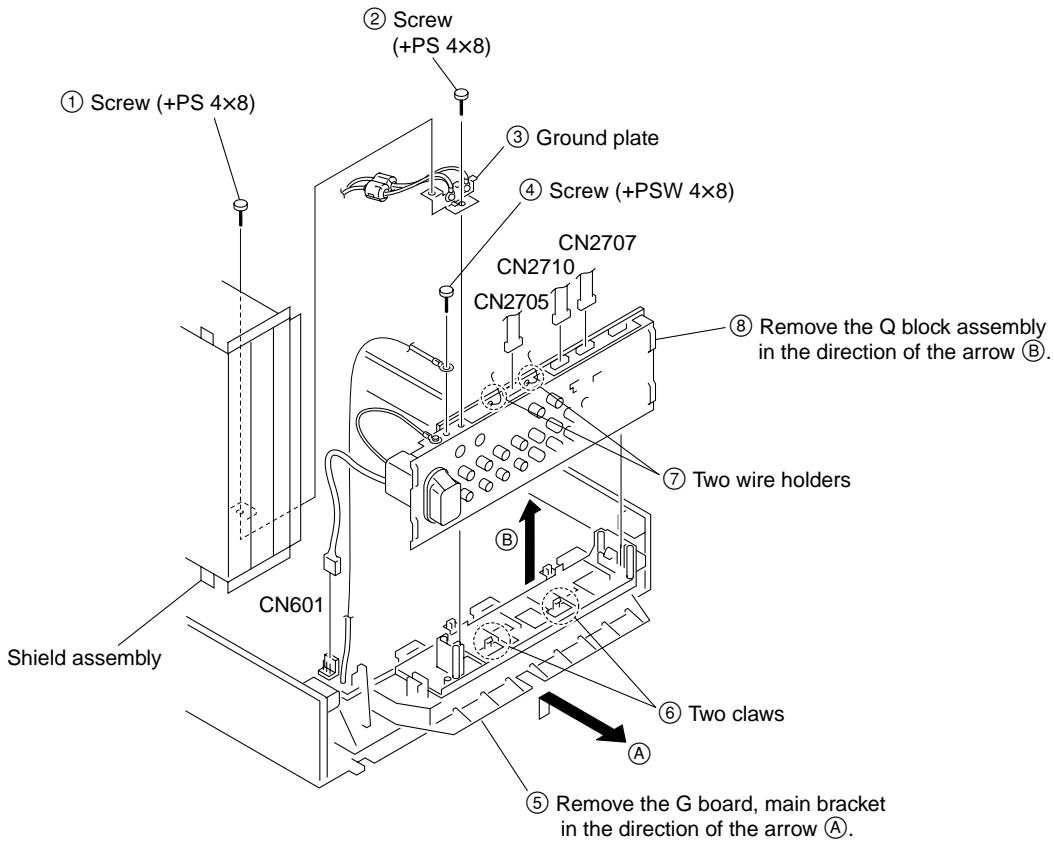
1-3-2. B Board (14 inch)

- Remove the top cover assembly and rear cover. (Refer to 1-3-1.)



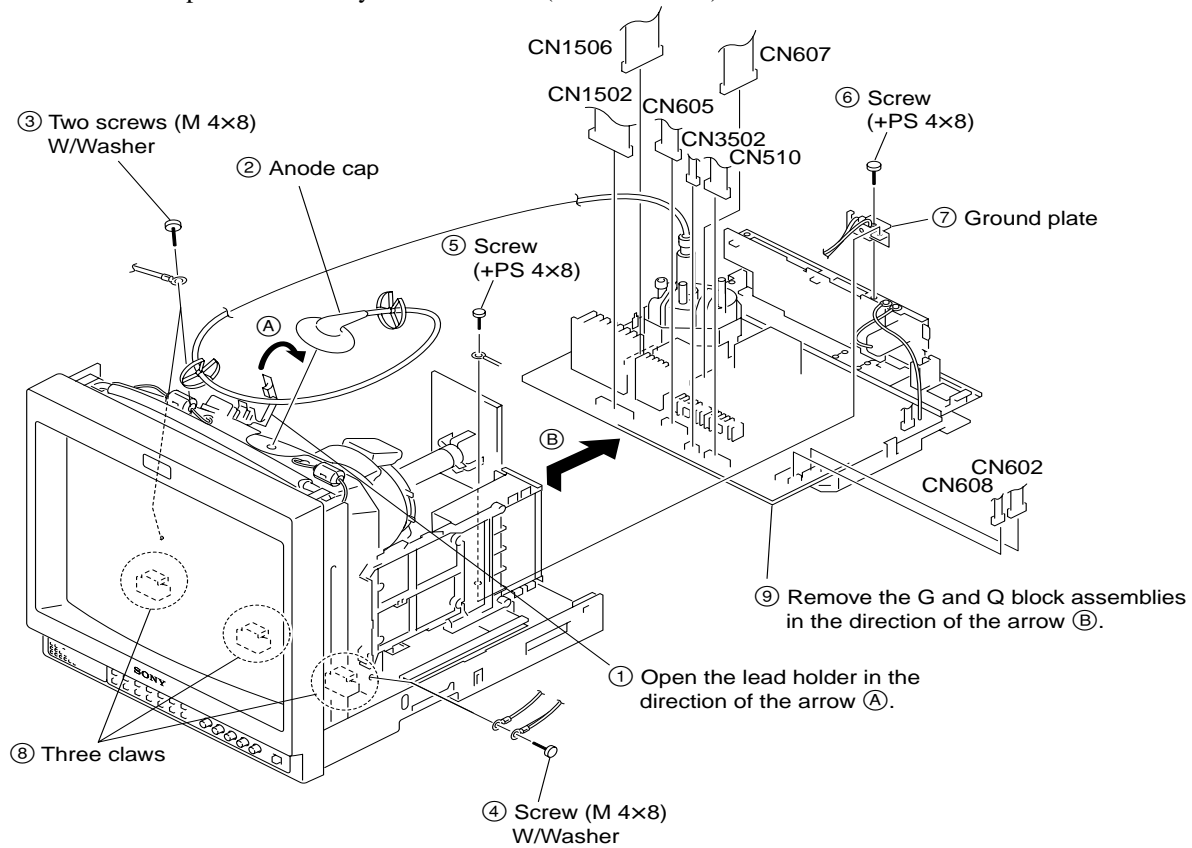
1-3-3. Q Board (14 inch)

- Remove the top cover assembly and rear cover. (Refer to 1-3-1.)



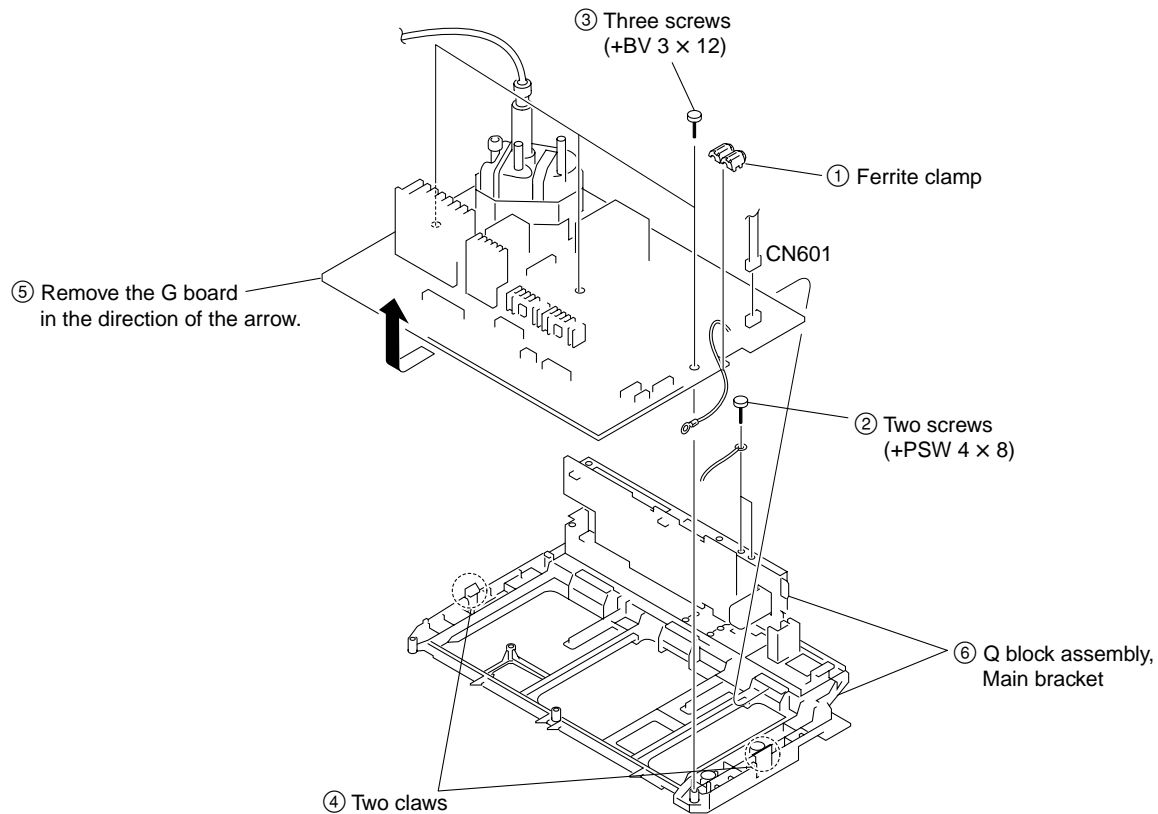
1-3-4. G and Q Block Assemblies (14 inch)

- Remove the top cover assembly and rear cover. (Refer to 1-3-1.)



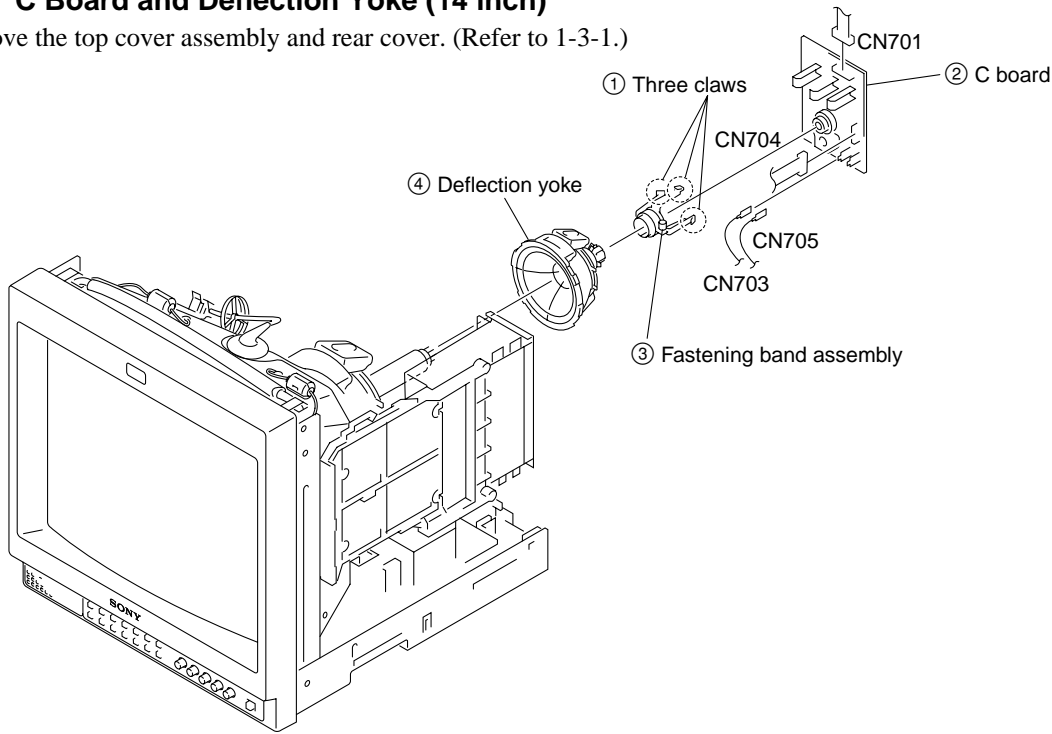
1-3-5. G Board (14 inch)

- Remove the G and Q block assemblies. (Refer to 1-3-4.)



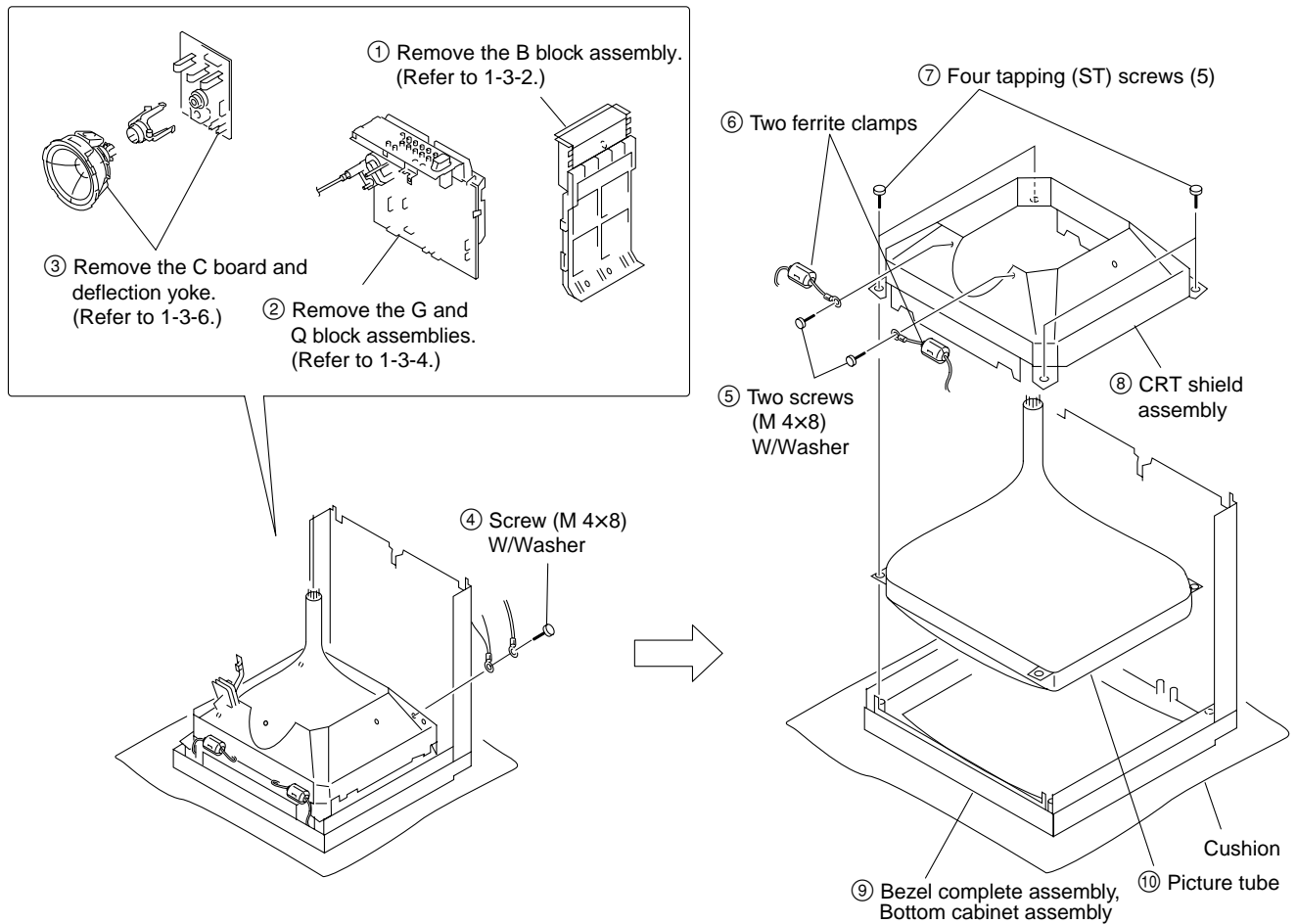
1-3-6. C Board and Deflection Yoke (14 inch)

- Remove the top cover assembly and rear cover. (Refer to 1-3-1.)



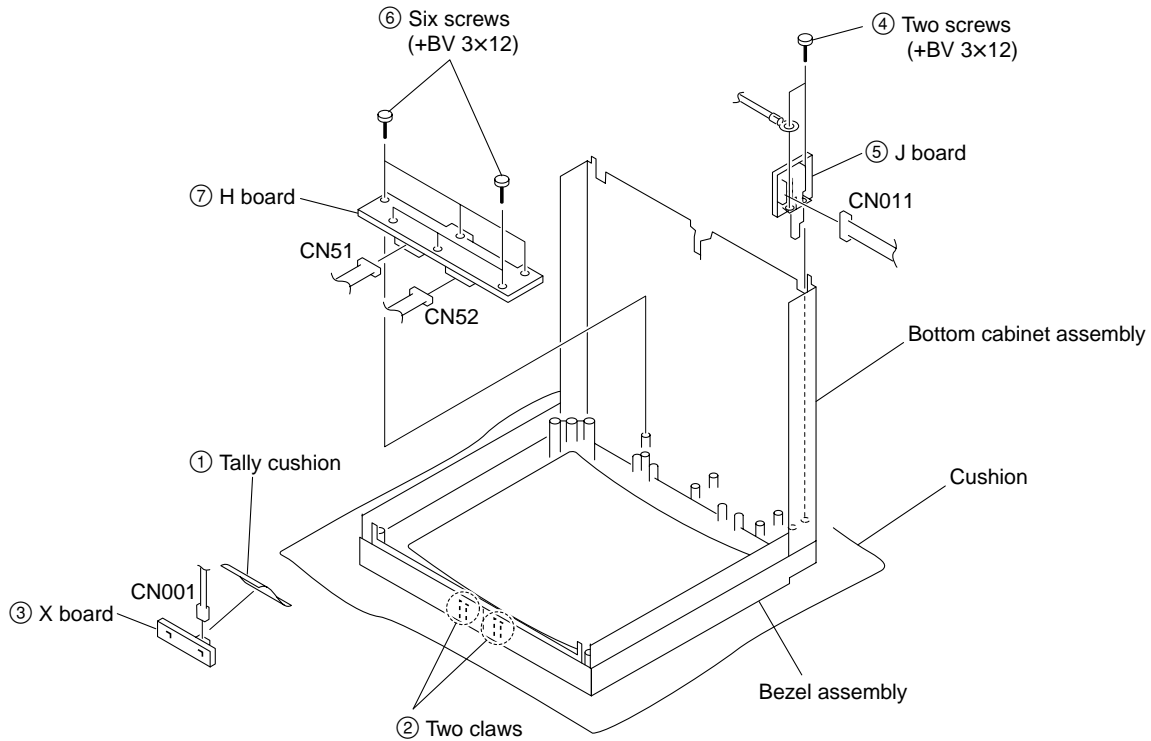
1-3-7. Picture Tube (14 inch)

- Remove the top cover assembly and rear cover. (Refer to 1-3-1.)



1-3-8. H, J and X Boards (14 inch)

- Remove the picture tube. (Refer to 1-3-7.)

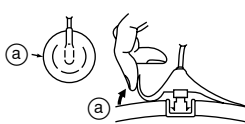


1-3-9. Anode Cap (14 inch)

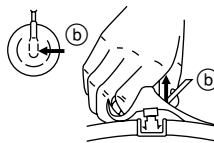
Note

Short-circuit the anode of the picture tube and the anode cap to the metal chassis, picture tube shield or carbon painted on the picture tube, after removing the anode.

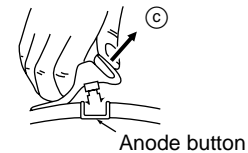
• Removal Procedure



- (1) Turn up one side of the rubber cap in the direction indicated by arrow (a).



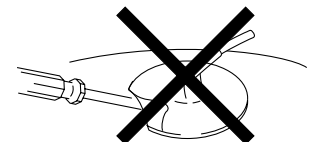
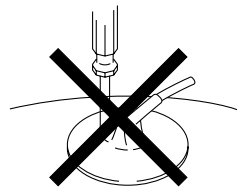
- (2) Using a thumb, pull up the rubber cap firmly in the direction indicated by arrow (b).



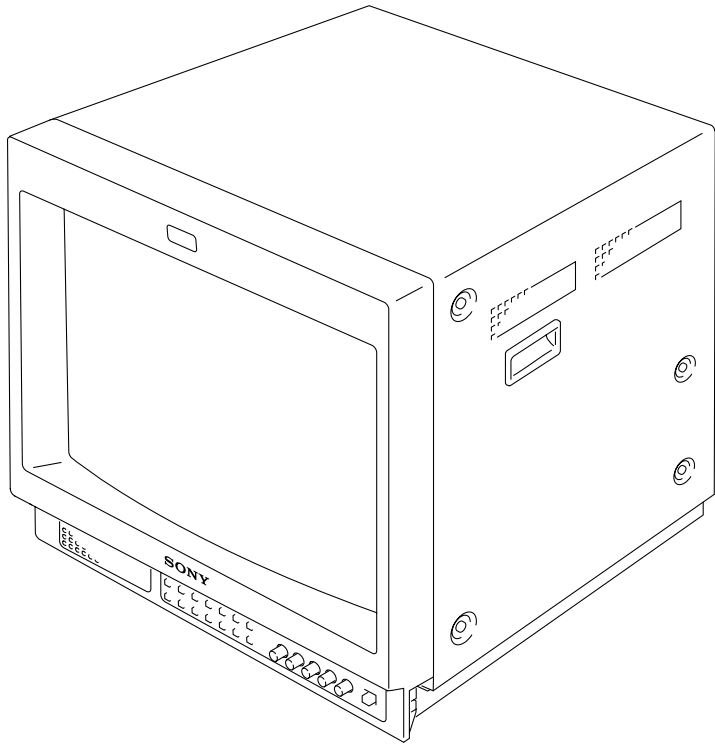
- (3) When one side of the rubber cap is separated from the anode button, the anode-cap can be removed by turning up the rubber cap and pulling up it in the direction of the arrow (c).

• Handling Precautions

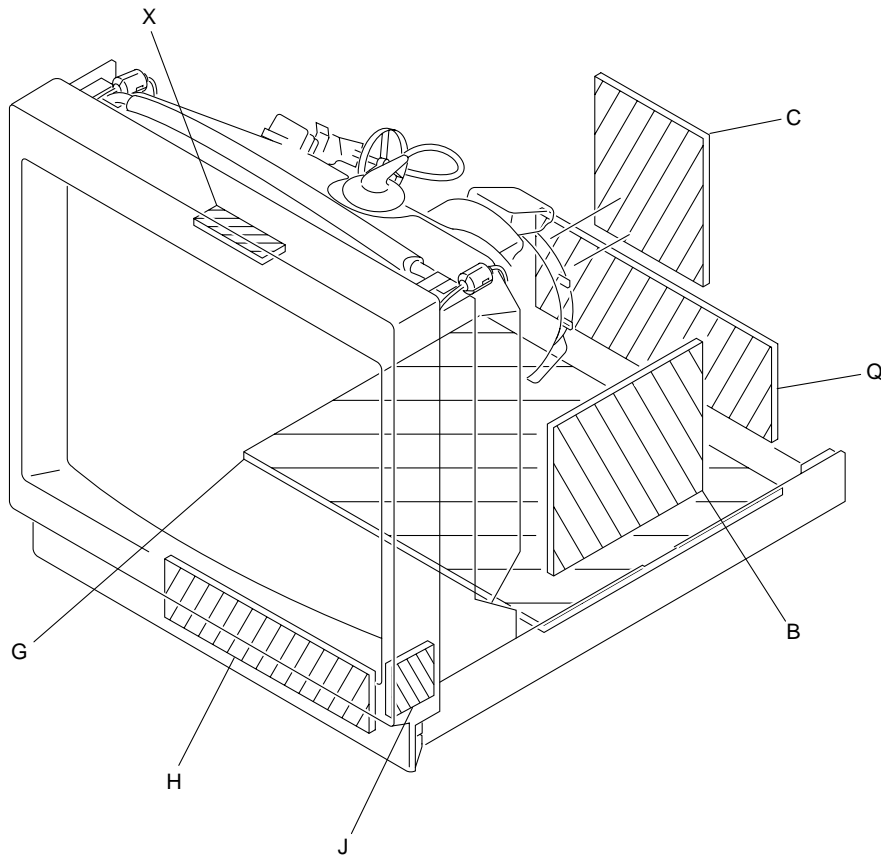
- (1) Do not scratch the surface of anode cap with a sharp object.
- (2) Do not press the rubber so hard that it damages the inside of anode caps. A shatter-hook terminal is built into the rubber.
- (3) Do not turn the foot of the rubber over. The shatter-hook terminal will stick out or damage the rubber.



1-4. Appearance Figure (20 inch)

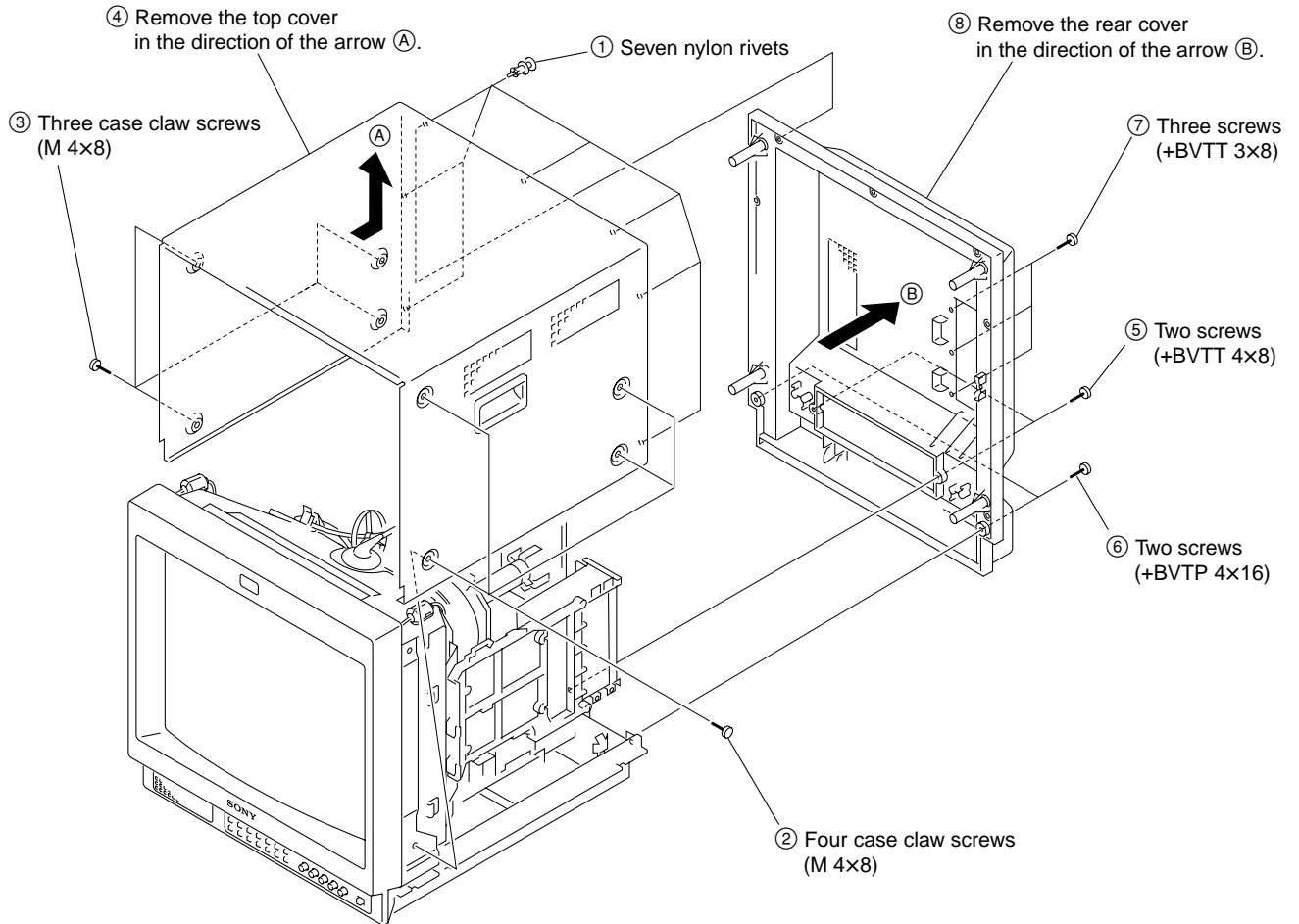


1-5. Board Locations (20 inch)



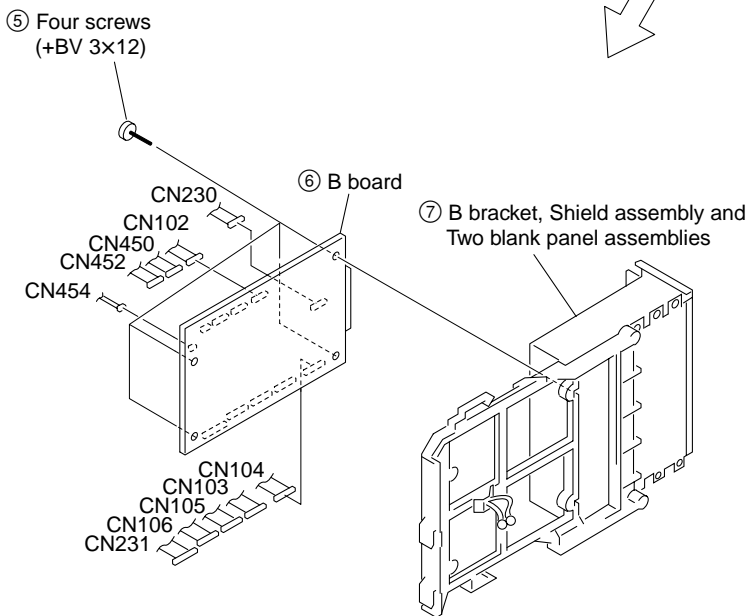
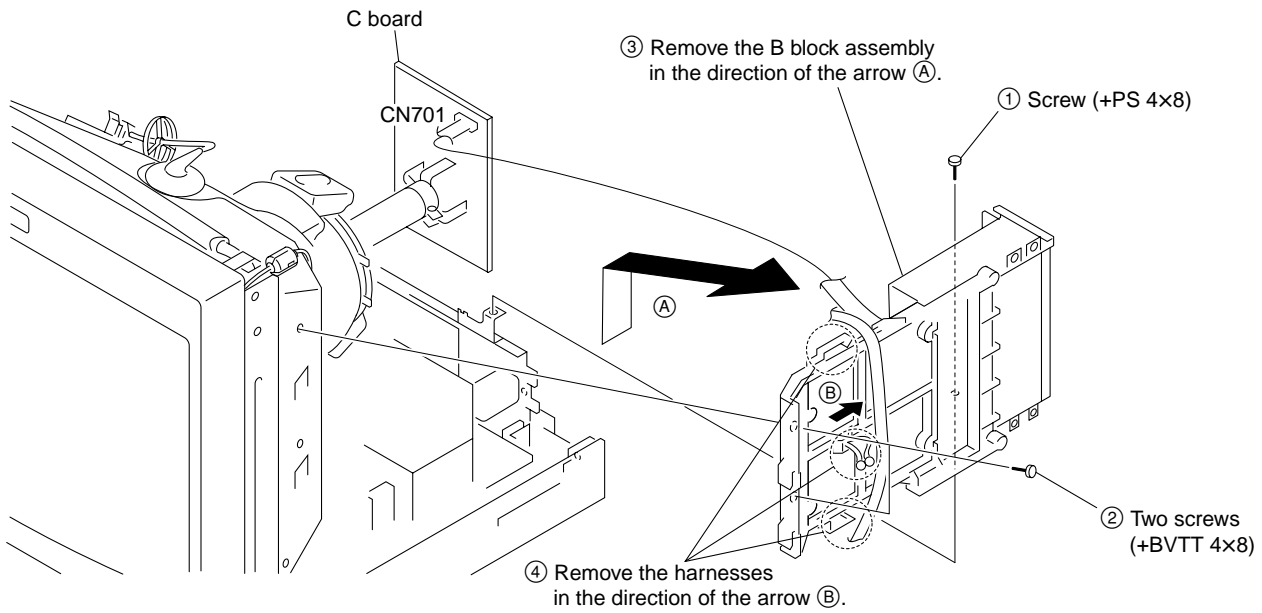
1-6. Disassembly (20 inch)

1-6-1. Top Cover and Rear Cover (20 inch)



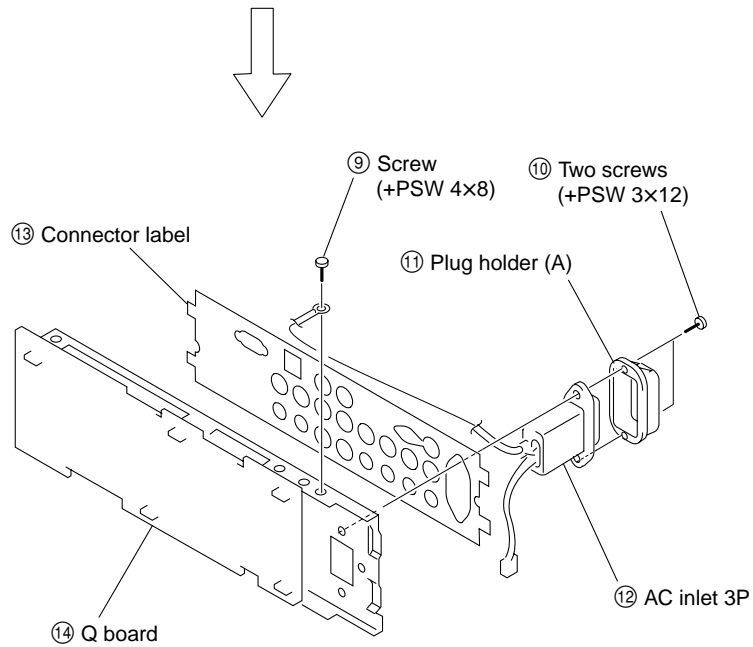
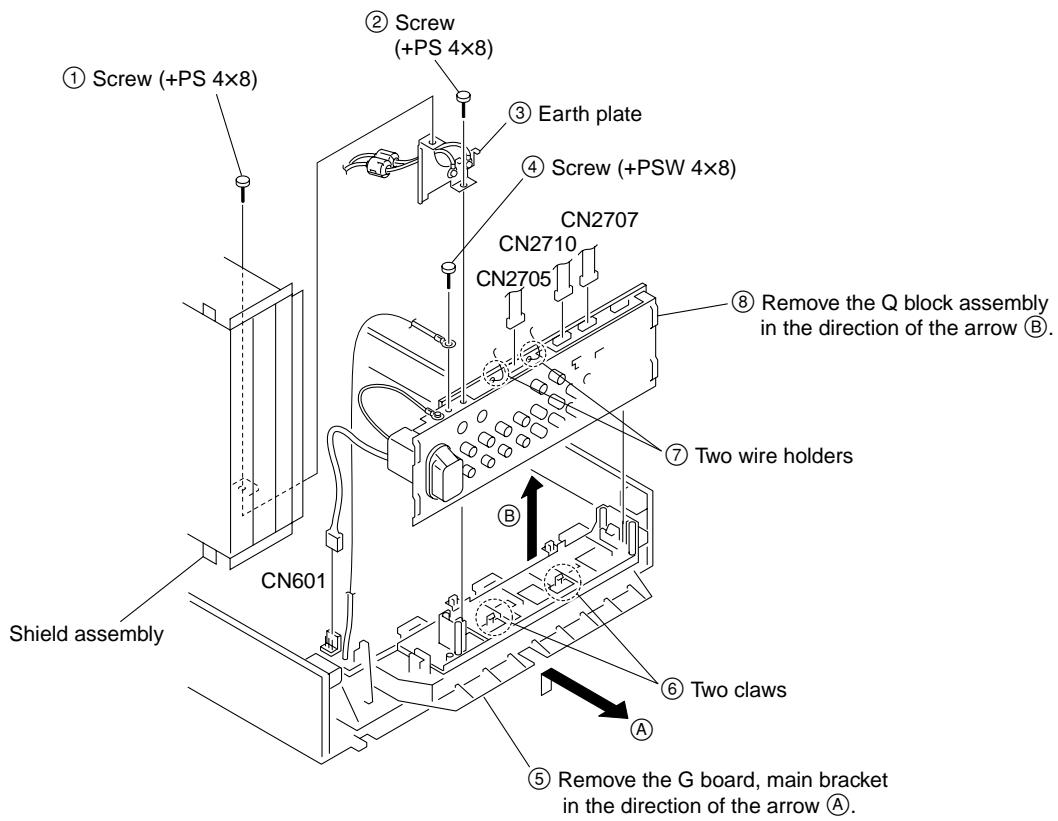
1-6-2. B Board (20 inch)

- Remove the top cover and rear cover. (Refer to 1-6-1.)



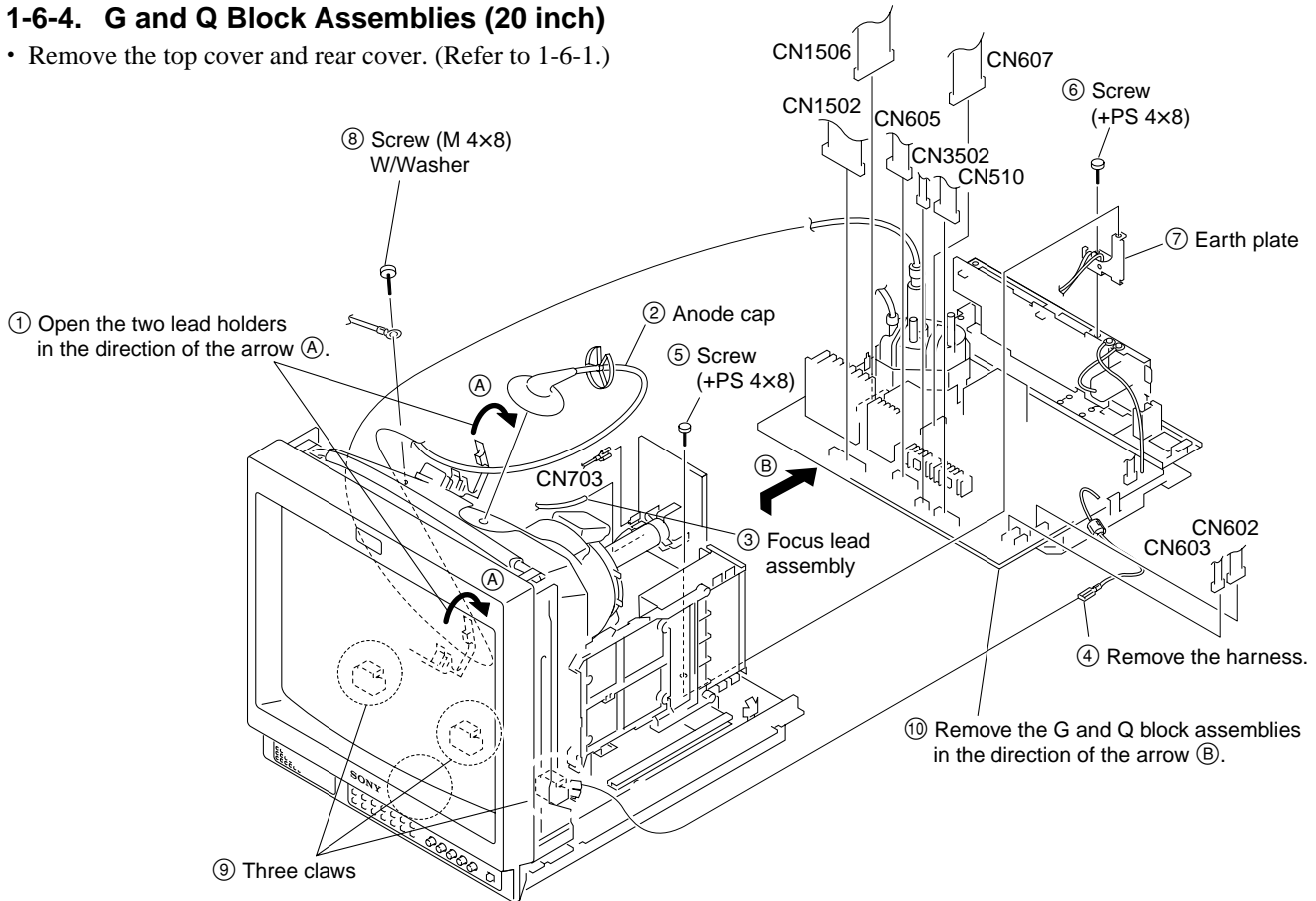
1-6-3. Q Board (20 inch)

- Remove the top cover and rear cover. (Refer to 1-6-1.)



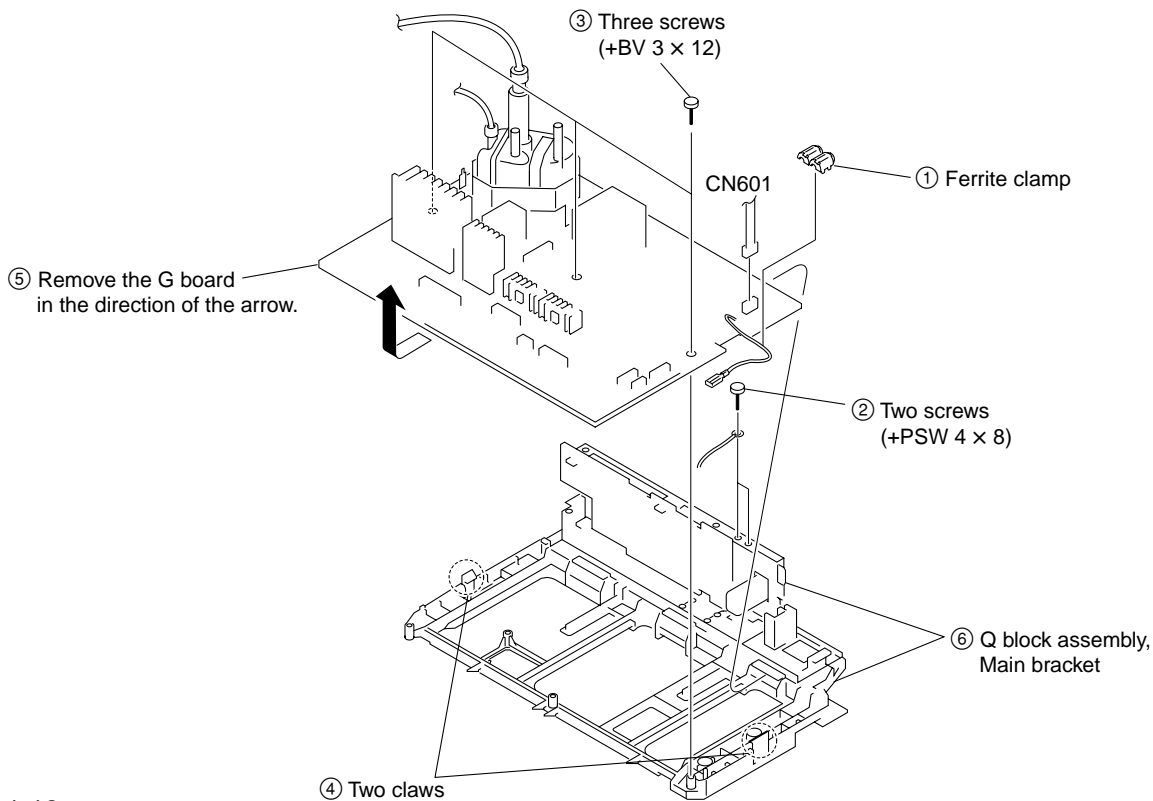
1-6-4. G and Q Block Assemblies (20 inch)

- Remove the top cover and rear cover. (Refer to 1-6-1.)



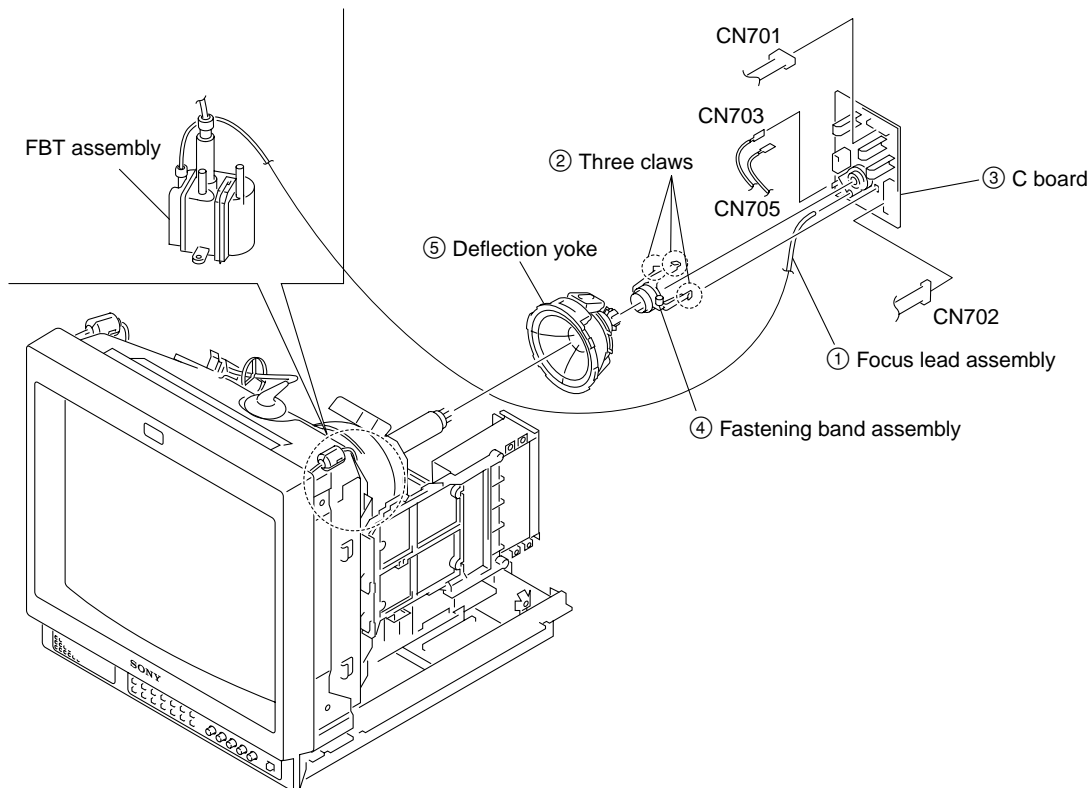
1-6-5. G Board (20inch)

- Remove the G and Q block assemblies. (Refer to 1-6-4.)



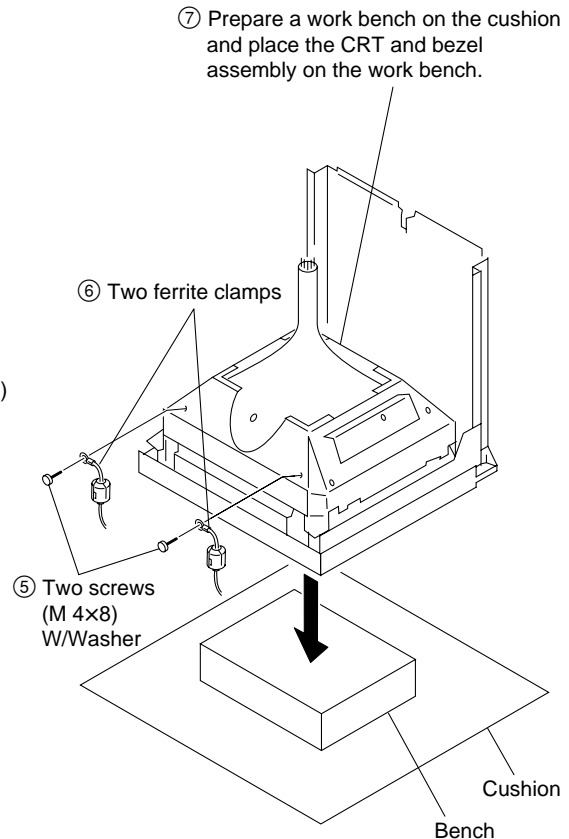
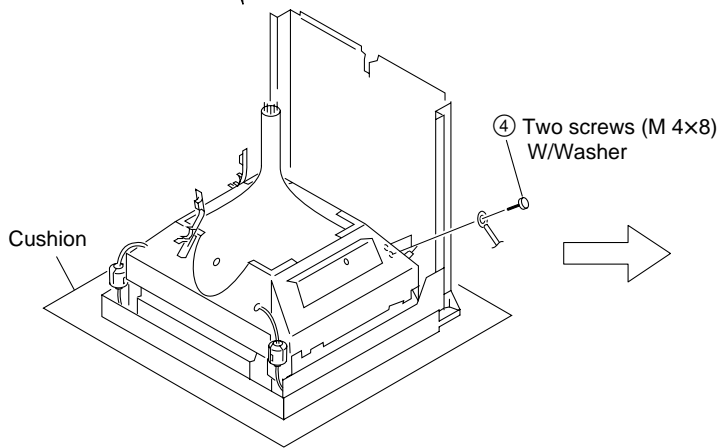
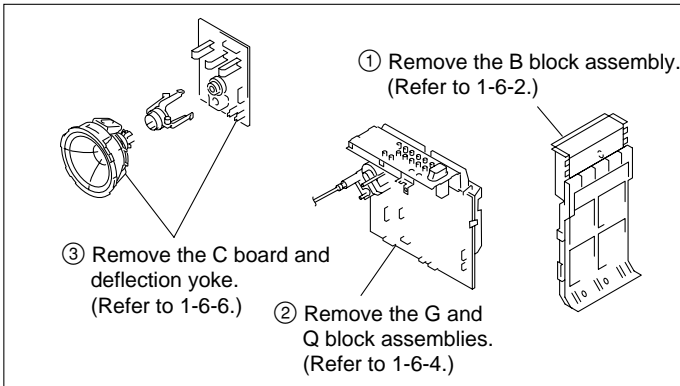
1-6-6. C Board and Deflection Yoke (20 inch)

- Remove the top cover and rear cover. (Refer to 1-6-1.)

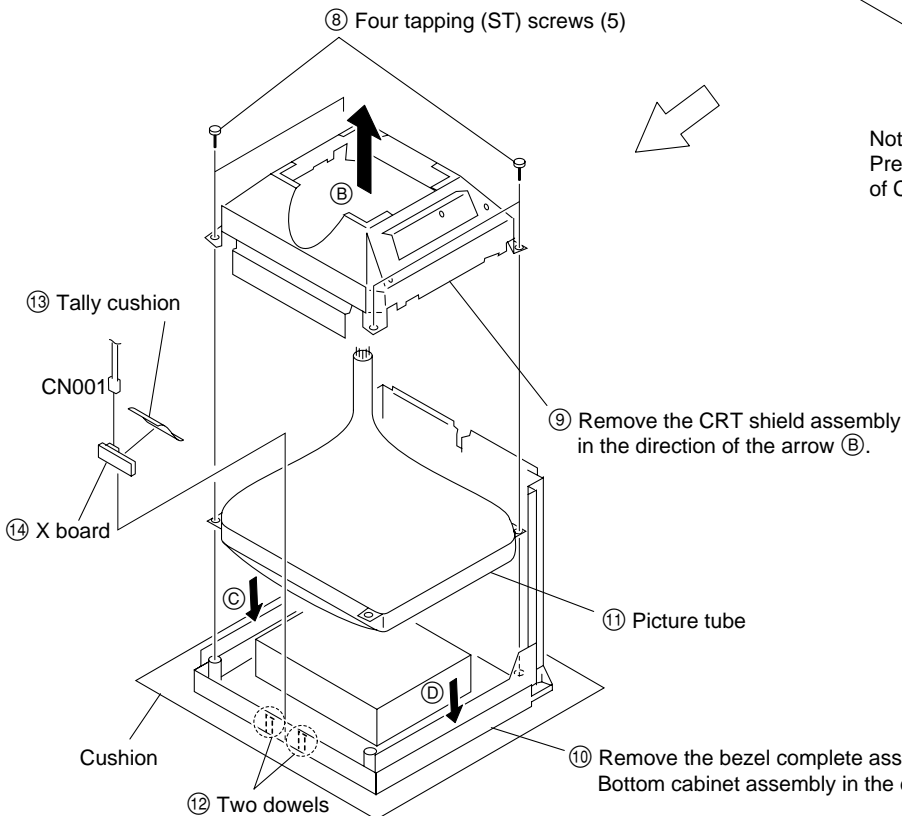


1-6-7. Picture Tube (20 inch)

- Remove the top cover and rear cover. (Refer to 1-6-1.)

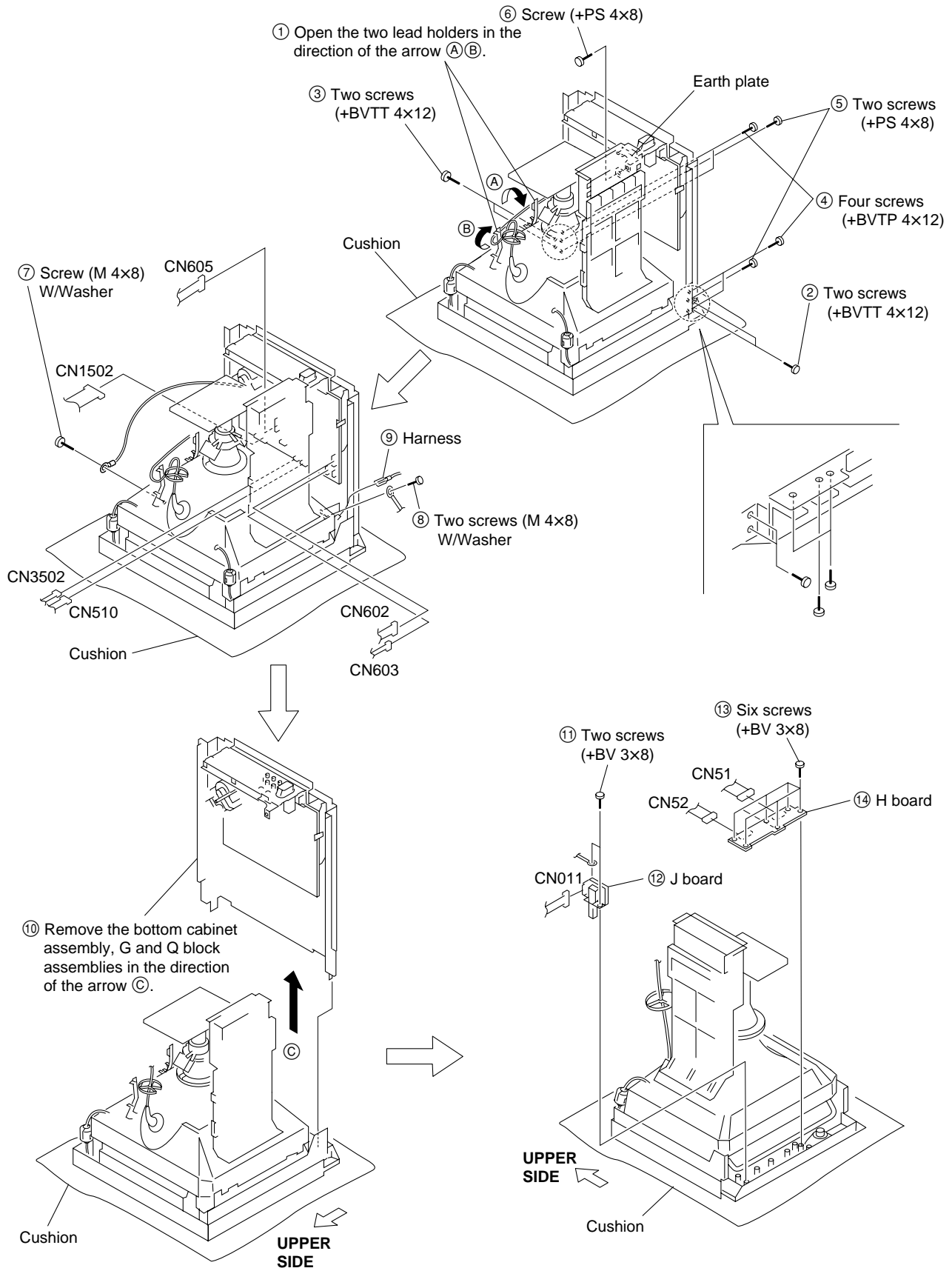


Note:
Prepare a work bench that can protect surface of CRT and can withstand the weight of the CRT.



1-6-8. J and H Boards (20 inch)

- Remove the top cover and rear cover. (Refer to 1-6-1.)

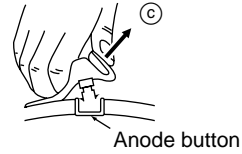
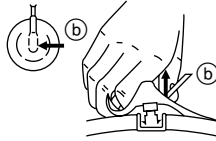
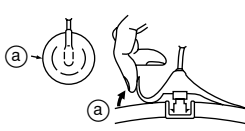


1-6-9. Anode Cap (20 inch)

Note

Short-circuit the anode of the picture tube and the anode cap to the metal chassis, picture tube shield or carbon painted on the picture tube, after removing the anode.

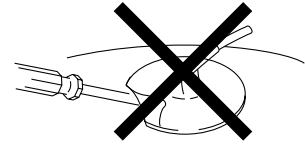
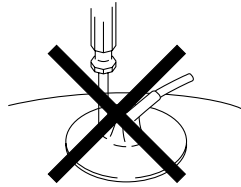
• Removal Procedure



- (1) Turn up one side of the rubber cap in the direction indicated by arrow (a).
- (2) Using a thumb, pull up the rubber cap firmly in the direction indicated by arrow (b).
- (3) When one side of the rubber cap is separated from the anode button, the anode-cap can be removed by turning up the rubber cap and pulling up it in the direction of the arrow (c).

• Handling Precautions

- (1) Do not scratch the surface of anode cap with a sharp object.
- (2) Do not press the rubber so hard that it damages the inside of anode caps. A shatter-hook terminal is built into the rubber.
- (3) Do not turn the foot of the rubber over. The shatter-hook terminal will stick out or damage the rubber.



1-7. Warning on Power Connection

Use a proper power cord for your local power supply.

	United State, Canada	Europe	Japan
Plug type	LP-30B	— ^{a)}	YP332
Female end	LS-13	VM0303B	YC-35
Cord type	SB-SVT	H05VV-F	VCTF
Minimum cord set rating	10A/125V	10A/250V	7A/125V
Safety approval	UL/CSA	SEMKO, NEMKO, DEMKO, SEV, KEMA, EI (FIMKO), CEBEC, VDE, BS	DENAN-HO

a) Note : Use an appropriate rating plug which is applied to local regulations.

Section 2

Set-up Adjustment

2-1. Equipment Required

- Oscilloscope
Tektronix 2465 or equivalent (with bandwidth of 350 MHz)
- NTSC/PAL/SECAM component signal generator
Tektronix TG2000 +AVG1 (option module) +AWVG2 (option module) or equivalent
- SDI signal generator
Tektronix TSG-422
- Monoscope signal generator
ShibaSoku TP22AX or equivalent
- VG (programmable video signal generator)
VG854 or equivalent
- Frequency counter
Advantest TR5821AK or equivalent
- Digital VOM
Advantest TR6845 or equivalent
- Slide induction transformer
- High tension voltmeter
- DC power supply
- Ammeter
- Luminance meter
Minolta CRT Color Analyzer CA-100 or equivalent.
If the Minolta CRT Color Analyzer CA-100 is not available, perform the measurement by visual inspection by comparing the monitor that has already been adjusted earlier with the monitor that you want to adjust.

Note

Start the following adjustments 5 minutes after the main power is turned on.

* In this chapter, indicates the control items in the service mode.

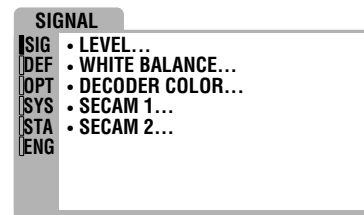
Example :

2-2. Preparations (1)

Service Mode

This set is provided with a switch for service on the front panel that can be used to make various adjustments. The operation method of this switch is explained in detail below.

1. Entering the service mode
Simultaneously press the [ENTER] key and the [DEGAUSS] key shown on the display of the menu.



2. Operating the Service Mode
Select the desired service item with the [↑], [↓] key and press the [ENTER] key to enter the adjustment mode.
Press the [+] key to increase the adjustment value.
Press the [-] key to decrease the adjustment value.
Press the [ENTER] key to save the adjustment value.
Press the [MENU] key to cancel the entry.
3. Finishing the service mode
Simultaneously press the [ENTER] key and the [DEGAUSS] key shown on the display of the menu.
4. Easy ON/OFF of the service mode
If once entering the service mode after having turned on the power, easy ON/OFF is possible by once more pressing the LINE A, LINE B, RGB/COMPONENT, OPTION A or OPTION B switch on the front panel (the LED lights) as long as the power is not turned off or as long as the service mode is not finished.

5. Executing FACTORY LOAD

If the adjustment data is damaged or lost by some reasons, you can restore the default factory adjustment data by executing FACTORY LOAD as described below.

Select the following sub menus from the Service Menu in the order of : [SYSTEM] → [FACTORY...] → [LOAD...] to read the default factory data. If the default factory data is damaged or the ROM is replaced without executing FACTORY SAVE as described in the following paragraph, you cannot execute FACTORY LOAD.

6. Executing FACTORY SAVE

This operation is to write the FACTORY LOAD data into the factory data area in the memory.

Select the following sub menus from the Service Menu in the order of : [SYSTEM] → [MAINTENANCE ID] and type 111. Then select the following sub menus from the Service Menu in the order of : [ENGINEER] → [FACTORY SAVE] to write the factory data in the memory. FACTORY SAVE is protected from miss operation so that FACTORY SAVE cannot be executed unless MAINTENANCE ID is set.

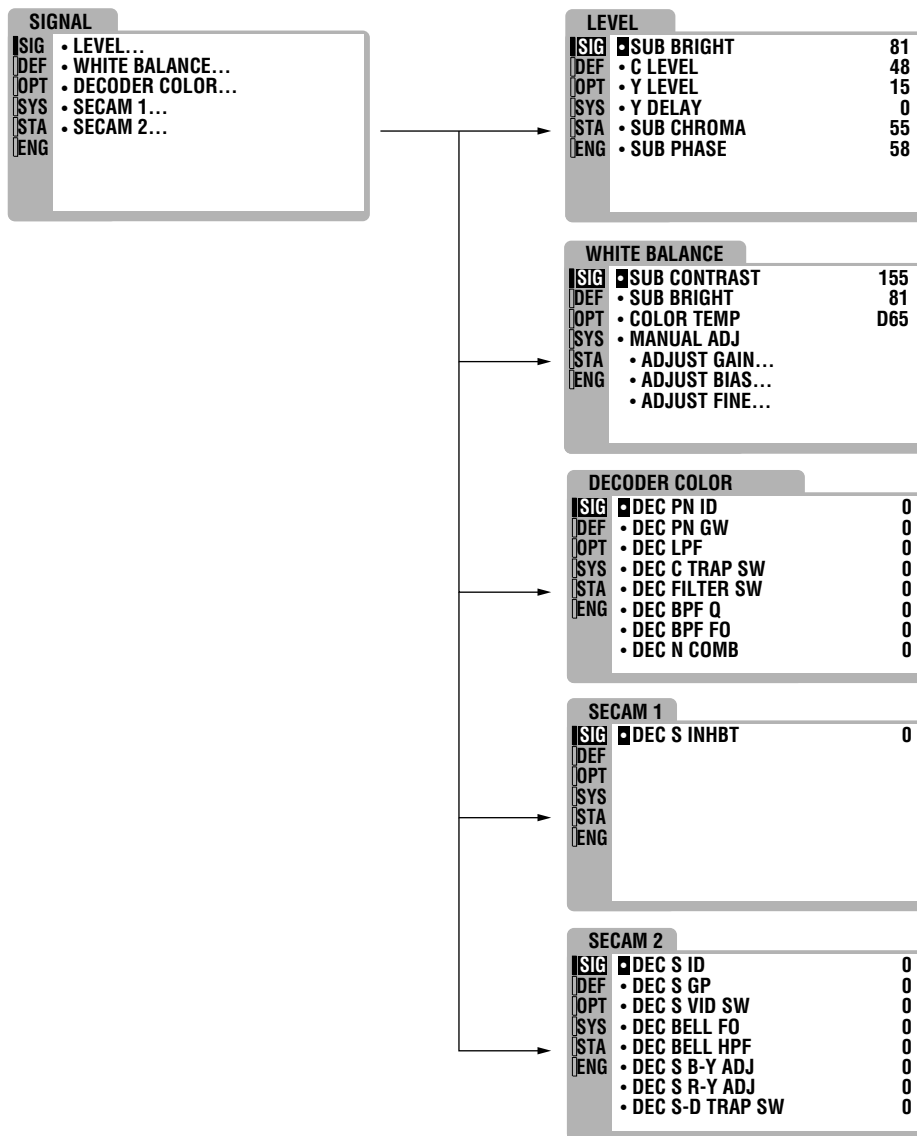
FACTORY SET

If the following circuit board is replaced or the following NVRAM on the respective board is replaced, perform the following settings.

B board : IC450

1. Select the following sub menus from the Service Menu in the order of : [SYSTEM] → [MAINTENANCE ID] and type 111.
2. Select the following sub menus from the Service Menu in the order of : [SYSTEM] → [MODEL INCH], [SYSTEM] → [MODEL TYPE] and write the model data of each model in the [MODEL TYPE] referring to table 2-4.
3. If the NVRAM on the B board is replaced, select the following sub menus from the Service Menu : [ENGINEER] → [CLEAR NVM ON B] and write data.
4. If any IC on the B board is replaced, perform all adjustment items of the [SIGNAL] menu and of the [DEFLECTION] menu.
5. Upon completion of adjustment, select the menus [ENGINEER] → [FACTORY SAVE] to save the adjustment data.

Service Mode screen display



DEFLECTION	
SIG	• FOCUS...
DEF	• RASTER H...
OPT	• RASTER V...
SYS	• GEOMETRY...
STA	
ENG	

FOCUS

DEFLECTION	
SIG	• H DUTY 18
DEF	• HFV SENSE 22
OPT	• HFV CONTROL 245
SYS	• H DF PHASE 15
STA	• H DF PARA 15
ENG	• H PLL LOCK

RASTER H

DEFLECTION	
SIG	• H SIZE 87
DEF	• H BLK LEFT 78
OPT	• H POSITION 89
SYS	
STA	
ENG	

RASTER V

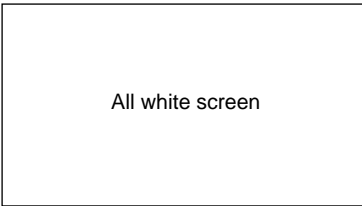
DEFLECTION	
SIG	• V SIZE 102
DEF	• V CENTER 167
OPT	• V BLK TOP 13
SYS	
STA	
ENG	

GEOMETRY

DEFLECTION	
SIG	• V S LIN 4
DEF	• V C LIN 24
OPT	• TRAPEZOID 24
SYS	• SIDE PIN 28
STA	• SIDE PIN W 30
ENG	• SIDE PIN BAL 12
	• PARA CONTROL 14
	• SIDE PIN S 20

SYSTEM		
SIG	VERSION	1.0
DEF	• MODEL INCH	14
OPT	• MODEL TYPE	J
SYS	• AGING MODE	
STA	• FACTORY...	
ENG	• SIGNAL...	
	• MAINTENANCE ID	0
	• SETUP...	

AGING MODE



All white screen

To return to the original screen, press the button of the input selector illuminating in orange.

SYSTEM		
SIG	VERSION	1.0
DEF	• MODEL INCH	14
OPT	• MODEL TYPE	J
SYS	• AGING MODE	
STA	• FACTORY...	
ENG	• SIGNAL...	
	• MAINTENANCE ID	0
	• SETUP...	

FACTORY

SYSTEM		
SIG	<input checked="" type="checkbox"/> LOAD...	
DEF		
OPT	• STANDARD...	
SYS		
STA		
ENG		

LOAD cannot be selected and remains in the blue display unless the NVM data is valid. In such a case, clear the NVM and make the NVM data valid first. However, if the default factory data is damaged, or if the FACTORY SET process is not executed after ROM is replaced, LOAD cannot be executed. STANDARD returns the various setups of the user menu to the default factory setting.

SIGNAL

SYSTEM		
SIG	<input checked="" type="checkbox"/> COLOR DET.	AUTO
DEF		
OPT		
SYS		
STA		
ENG		

SETUP

SYSTEM		
SIG	<input checked="" type="checkbox"/> CHINESE ENA	OFF
DEF		
OPT		
SYS		
STA		
ENG		

STATUS		
SIG	ADJUST ERROR	0
DEF	ABNORMAL I2C	0
OPT		
SYS	NVM BOARD B	OK
STA		
ENG		

ENGINEER 1/3		
SIG	ASUP SAMPLE POS	OFF
DEF		
OPT	• FACTORY SAVE...	
SYS		
STA	• CLEAR NVM ON B...	
ENG		

ENGINEER 2/3		
SIG	ASUP	CBAR SMPTE
DEF	DATA REFRESH	ON
OPT	OSDLIMIT	OFF
SYS	INTERNAL SIGNAL	0
STA		
ENG		

ENGINEER 3/3		
SIG	H SYNC COUNT	HIDE
DEF	MENU DOTCLOCK	231
OPT	MENU H POS	9
SYS	OPTION BOARD ID	255
STA	GENERIC	0
ENG		

OPTION (BKM-129X)

OPTION		
SIG	BKM-129X	
DEF		
OPT		
SYS		
STA		
ENG		

OPTION (BKM-120D)

OPTION		
SIG	BKM-120D (1/3)	1
DEF	• OE	0
OPT	• P SAVE	1
SYS	• DISPLAY	0
STA	• D A	1
ENG	• D B	1
	• H BLK1	0

OPTION		
SIG	BKM-120D (2/3)	
DEF	• DA FV	84
OPT	• DB FV	109
SYS	• Y LEVEL	82
STA	• PB LEVEL	71
ENG	• PR LEVEL	74

OPTION		
SIG	BKM-120D (3/3)	
DEF	• YB2	0
OPT	• YW0	0
SYS	• YW1	0
STA		
ENG		

OPTION (BKM-150CP)

OPTION		
SIG	BKM-150CP (1/4)	0
DEF	• OE	0
OPT	• P SAVE	0
SYS	• DISPLAY	1
STA	• D A	0
ENG	• D B	1
	• H BLK1	0

OPTION		
SIG	BKM-150CP (2/4)	
DEF	• DA FV	80
OPT	• DB FV	80
SYS	• Y LEVEL	85
STA	• PB LEVEL	110
ENG	• PR LEVEL	105

OPTION		
SIG	BKM-150CP (3/4)	
DEF	• SDTI SW	0
OPT	• TC MODE 0	0
SYS	• TC MODE 1	0
STA	• TC MODE 2	0
ENG	• AUDIO MUTE	0

OPTION		
SIG	BKM-150CP (4/4)	
DEF	• AUDIO GRP 0	1
OPT	• AUDIO GRP 1	1
SYS	• AUDIO CH 0	0
STA	• AUDIO CH 1	1
ENG	• AUDIO MIX	1
	• AUDIO MONO L	0
	• AUDIO MONO R	1

2-3. Preparation (2). Initialization

* Supply composite video or component signals as shown in Table 2-2.

Signal		Details of signal	Standard level P-W
Composite video	358NT	100 % white	0.714 V
		75 % white	0.536 V
	PAL	100 % white	0.7 V
		75 % white	0.525 V
Component	BETA0	100 % white Y	0.7143 V
		75 % white Y	0.536 V
		75 % color B-Y, R-Y (P-P for this item only)	0.757 V
	BETA 7.5	100 % white Y	0.7143 V
		75 % white Y	0.536 V
		75 % color B-Y, R-Y (P-P for this item only)	0.7 V
	SMPTE	100 % white Y	0.7 V
		75 % white Y	0.525 V
		75%color B-Y, R-Y (P-P for this item only)	0.525 V
Voice/sound		-5 dBu	0.436Vrms

Table 2-2

2-4. Writing Model Data

1. Select the following sub menus from the Service Menu in the order of : [SYSTEM] → [MODEL INCH], [SYSTEM] → [MODEL TYPE] and write the model data of each model in the [MODEL TYPE] referring to table 2-4.

Model name	Model type	Model inch
PVM-14L2	J	14
PVM-14L2	U/C	14
PVM-14L2	AEP	14
PVM-14L2	AUS	14
PVM-20L2	J	20
PVM-20L2	U/C	20
PVM-20L2	AEP	20
PVM-20L2	AUS	20

Table. 2-4

2. Select the following sub menus from the Service Menu in the order of : [SIGNAL] → [WHITE BALANCE] and type the following data in [COLOR TEMP].

U/C, AEP, AUS D65
J D93

* Standard inspection state

Unless otherwise specified in this manual, make adjustment under the following conditions.

The following sub menus are located beneath the USER CONTROL menu.

APERTURE OFF (USER CONTROL menu)
BRIGHT 0
CONTRAST 80
VOLUME 50
CHROMA 50 (Fixed)
PHASE 0 (Fixed)

2-5. Picture Output

1. AC input voltage setting

1. Input VIDEO signals and AUDIO signals to respective terminals on the connector panel.
2. Set the slide induction transformer AC voltage as shown in Table 2-5.

Model name	Voltage
PVM-14L2	AC 100 V to 240 V ±10 %
PVM-20L2	

Table. 2-5

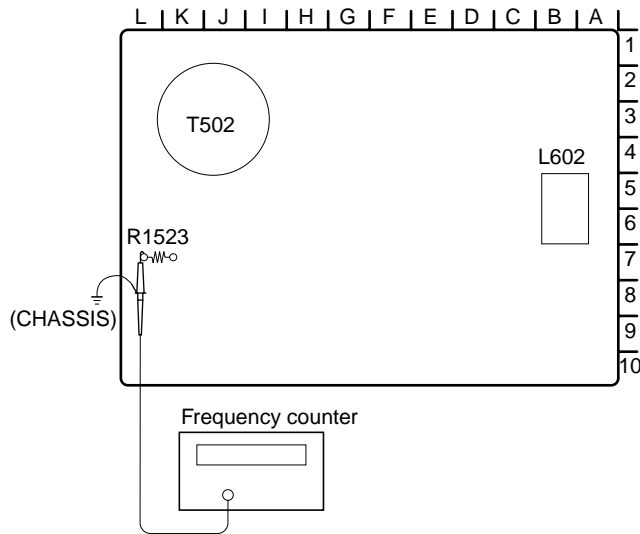
2-6. Free-run Frequency Adjustment

Find the following adjustment menu in the layer under the DEFLECTION menu of the service mode.

FOCUS

H PLL
HFV SENCE
HFV CONTROL

1. Connect the 480/60I cross hatch signal to the G/Y terminal of RGB/COMPONENT IN connector.
2. Enter the service mode.
3. Switch H PLL of the menu from LOCK to FREE RUN.
4. Adjust HFV SENCE and HFV CONTROL of the menu until number of screens losing sync is minimal. When a frequency counter is used for this adjustment, connect the frequency counter probe between the outside terminal of R1523/G board and chassis ground. Adjust HFV SENCE and HFV CONTROL of the menu so that frequency becomes $15,734 \pm 30$ Hz.



5. Switch H PLL of the menu from FREE RUN to LOCK. Confirm that the screen is locked.

2-7. Landing Adjustment

1. CONTRAST... MAX
BRIGHT... Conspicuous position
2. Roughly adjust the white balance, G2, and convergence.
3. Switch the video signal generator output signal to green only.
4. Move back the DY backward (in the direction toward neck).
5. Adjust the purity knob so that the green will come to the center of the screen. Make R and B almost identical. (Fig. 2-1)
6. Switch to B only, R only, and G only and verify each.
7. Bring the deflection yoke gradually forward and adjust the deflection yoke so that R and B on both sides of the screen will be green. (Fig.2-2 → Fig. 2-3)
8. If the deflection yoke comes forward too much, the pattern shown in Fig.2-4 will appear. If so, move the deflection yoke backward. (Fig.2-4 → Fig.2-3)
9. Switch the signal generator output signal to the BLUE only color and confirm the screen. (Fig. 2-6)
10. Switch the signal generator output signal to the RED only color and confirm the screen. (Fig. 2-9)
11. When two colors are mixed, set the mixed color as the standard, and repeat operations 6 and 7.
12. Switch to an all-white signal and check the uniformity.
13. When the deflection yoke position is determined, fasten it with the fixture.

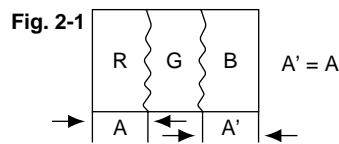


Fig. 2-2



Fig. 2-3

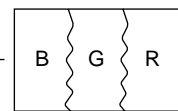


Fig. 2-4



Fig. 2-5

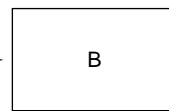


Fig. 2-6

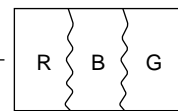


Fig. 2-7



Fig. 2-8



Fig. 2-9



Fig. 2-10

14 inch

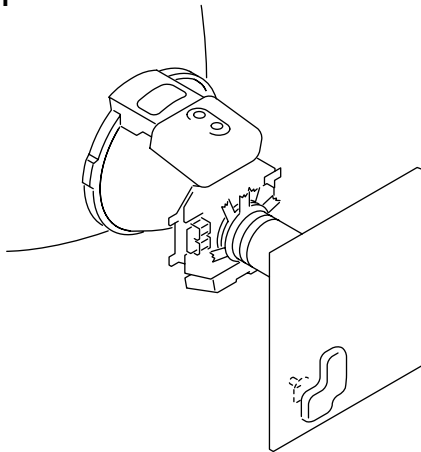


Fig. 2-11

20 inch

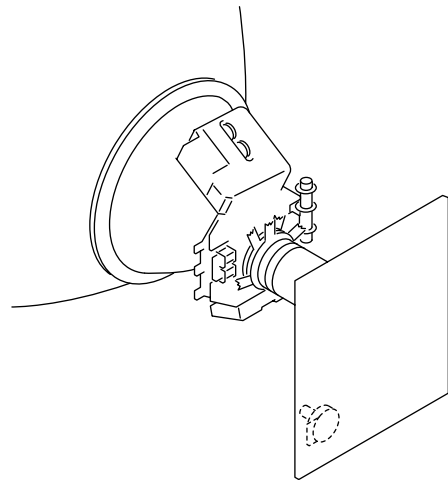


Fig. 2-11

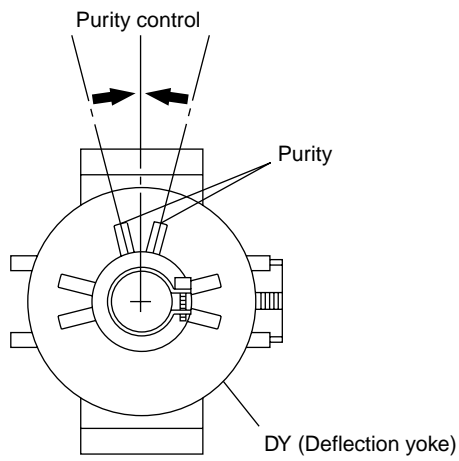


Fig. 2-12

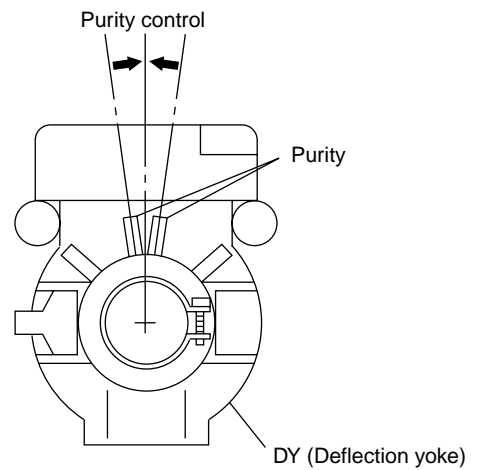


Fig. 2-12

2-8. Focus Adjustment

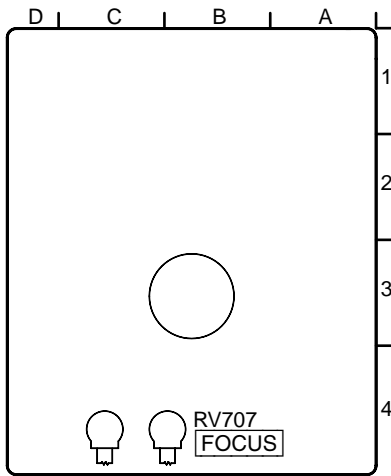
Find the following adjustment menu in the layer under the DEFLECTION menu of the service mode.

FOCUS

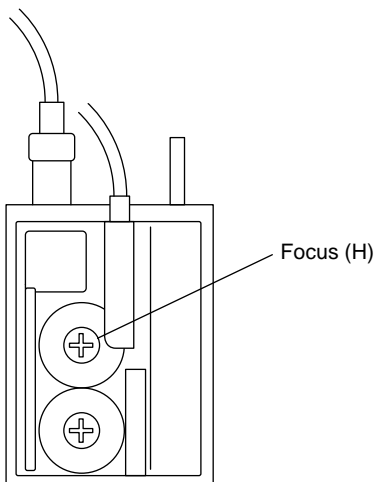
H DF PARA
H DF PHASE

1. Connect the 480/60I cross hatch signal to the Y/G terminal of RGB/COMPONENT IN connector.
2. Perform the coarse focus adjustment until focus is optimized at the center of screen using the following adjustments.

RV707/C board (14 inch)



FBT Focus VR controls (20 inch)



3. Obtain the optimum focus on the corners of screen using **H DF PARA** and **H DF PHASE** of the menu. (20 inch)

4. Connect the 480/60I all white signal to the Y/G terminal of RGB/COMPONENT IN connector. Confirm that there is no color non-uniformity nor color error. If picture quality is deteriorated significantly, reduce the H DF PARA value on the menu and compromise the focus adjustment.

2-9. Convergence Adjustment (1)

1. Input a dot pattern signal.
CONTRAST... Conspicuous position
BRIGHT... MIN
2. Align the horizontal R, G, and B dots at the center of the screen by adjusting RV708/C board.
* When H-CENT is changed after H-STAT adjustment, readjust H-STAT. (H-STAT will change by means of H-CENT VR.)
3. Align the vertical R,G and B dots at the center of the screen.
* After V-STAT adjustment, paint-lock the knob.

V-STAT Mg knob

While keeping the angles A and B equal ($I = I'$), align the vertical convergence.

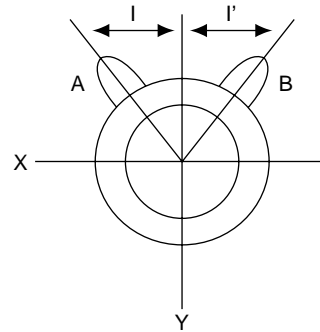


Fig. 2-13 Good example

If the A and B knobs are not symmetrical ($I \neq I'$), the focus may deteriorate, beam striking or other adverse effects may occur.

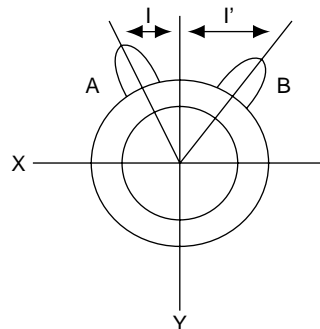


Fig. 2-14 Bad example

- For HMC, use the BMC Mg to adjust the R and B dots so that they will be symmetrical horizontally with respect to the G dot.

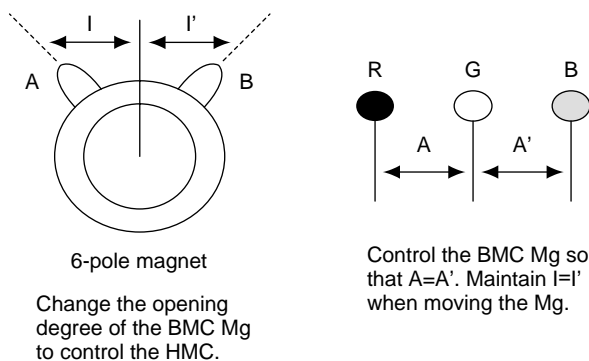


Fig. 2-15

- For VMC, use the BMC Mg to adjust the R and B dots so that they will be symmetrical vertically with respect to the G dot.

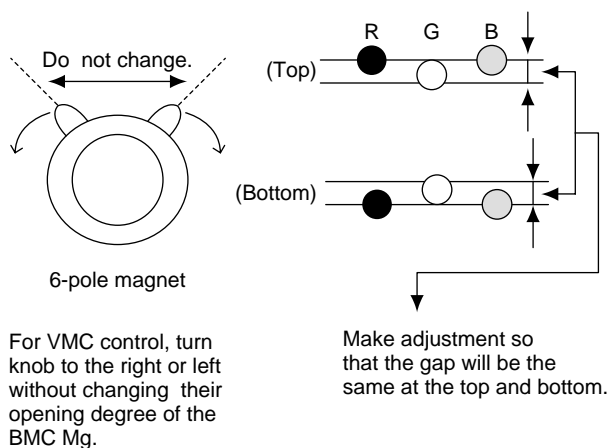


Fig. 2-16

- Repeat the adjustment steps from 2 through 5.
 - * The above adjustment may affect the landing, so after adjustment, check the landing.
- Paint-lock the knobs after adjustment.

2-10. Deflection Yoke Neck Rotation Adjustment

- If there are mis-convergence on both sides of X and Y axes, move the DY neck in the direction of the arrow so that the degree of mis-convergence satisfies the allowable range of specification over the entire screen.
 - * Applicable only to groups of models inch 14.

- Reverse cross mis-convergence pattern
- Cross mis-convergence pattern

Move the deflection yoke downward.

Move the deflection yoke upward.

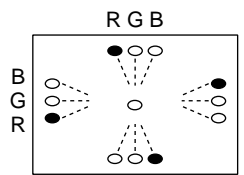
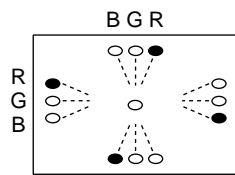


Fig. 2-17

Fig. 2-18

- Pattern of left-sided deflection yoke

Move the deflection yoke to the right when viewed from the CRT screen.

- Pattern of right-sided deflection yoke

Move the deflection yoke to the left when viewed from the CRT screen.

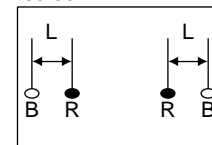
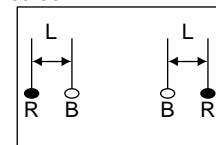


Fig. 2-19

Fig. 2-20

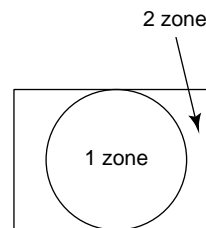
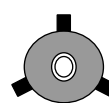
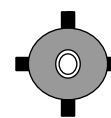


Fig. 2-21

- Turn the neck of the deflection yoke to align the V pin vertically.
 - * Applicable only to group of models inch 20.
- Insert the wedge between the deflection yoke and CRT funnel to lock the deflection yoke.



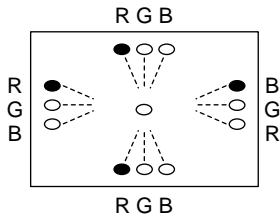
Inch 14



Inch 20

Fig. 2-22

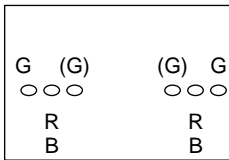
4. The following patterns cannot be corrected by turning the neck.



* Gun rotation

The X-axis and Y-axis beams are distorted on both sides.

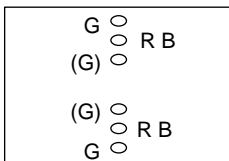
Fig. 2-23



* HCR Large (small)

The horizontal portion of the G raster is wider (narrower) than that of the RB raster on both sides of the screen.

Fig. 2-24



* VCR Large (small)

The vertical portion of the G raster is wider (narrower) than that of the RB raster on both sides of the screen.

Fig. 2-25

2-11. Convergence Adjustment (2)

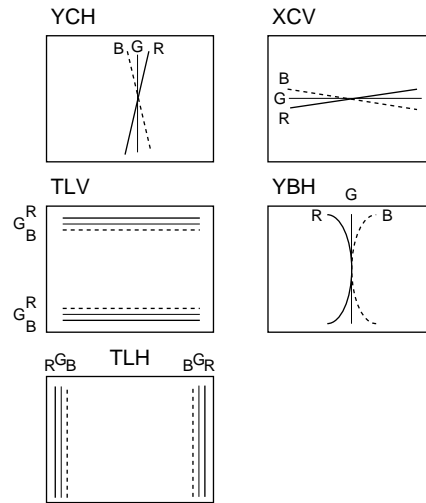


Fig. 2-26 Convergence compensation VR, coil, and compensator

Note

When adjustment is insufficient, use permalloy. After the adjustment, use paint lock.

1. Group of models inch 14 (See Table 2-3.)

1. Input a crosshatch signal.
2. Adjust 4-pole magnet, 6-pole magnet of the deflection yoke and RV708/C board to minimize mis-convergence.
3. When the mis-convergence of the TILT component is included in the horizontal convergence, make adjustment with the TLH compensator. (Fig. 2-28)
4. Fix the DY spacer with RTV.
5. Fix the 4-pole magnet, 6-pole magnet and TLH of deflection yoke by applying paint lock.

2. Groups of models inch 20 (See Table 2-3.)

1. Input a crosshatch signal.
2. Adjust 4-pole magnet, 6-pole magnet of the deflection yoke and RV708/C board to minimize mis-convergence.
3. When the mis-convergence of the TILT component is included in the horizontal convergence, insert the TLH compensator into the deflection yoke for adjustment.
4. Fix the DY spacer with RTV.
5. Fix the 4-pole magnet, 6-pole magnet and TLH of deflection yoke by applying paint lock.
6. Fix the XBV knob and APH knob by applying paint lock.

2-12. H Blanking Adjustment

The following adjustment sub menus are located in the layer under the DEFLECTION menu of the Service Mode.

RASTER H

H SIZE
H BLK LEFT
H POSITION

1. Connect the 480/60I cross hatch signal to the Y/G terminal of RGB/COMPONENT IN connector.
2. Press the UNDER SCAN button to enter the under scanned mode. (The UNDER SCAN button lights in orange.)
3. Set the BRIGHT knob to MAX.
4. Enter the service mode.
5. Adjust **H SIZE** of the menu until the entire raster becomes visible on screen.
6. Adjust **H BLK LEFT** so that the left-end of the raster is just before starting to fold back.
7. Adjust **H POSITION** so that the right-end of the video signal is positioned 1 mm inside of the right-end of the raster.
8. Adjust H CENTER VR (G board: RV1501) so that the center of the video signal comes to the center of the effective screen.
9. Switch the input video signal to the 575/50I crosshatch signal and repeat adjustment from steps 5 to 8 (excluding step 6 RV1501/G board adjustment) in the same way as described above.

2-13. V BLK Adjustment

The following adjustment sub menus are located in the layer under the DEFLECTION menu of the Service Mode.

RASTER V

V SIZE
V CENTER
V BLK TOP

1. Connect the 480/60I crosshatch signal to the Y/G terminal of RGB/COMPONENT IN connector.
2. Adjust the BRIGHT knob on the front panel until the raster becomes visible.
3. Press the UNDER SCAN button to enter the under-scan mode.
4. Adjust V BLK TOP so that the upper blanking is aligned with the video signal scarcely.
5. Switch the video input to the 575/50I signal and perform the same adjustment.

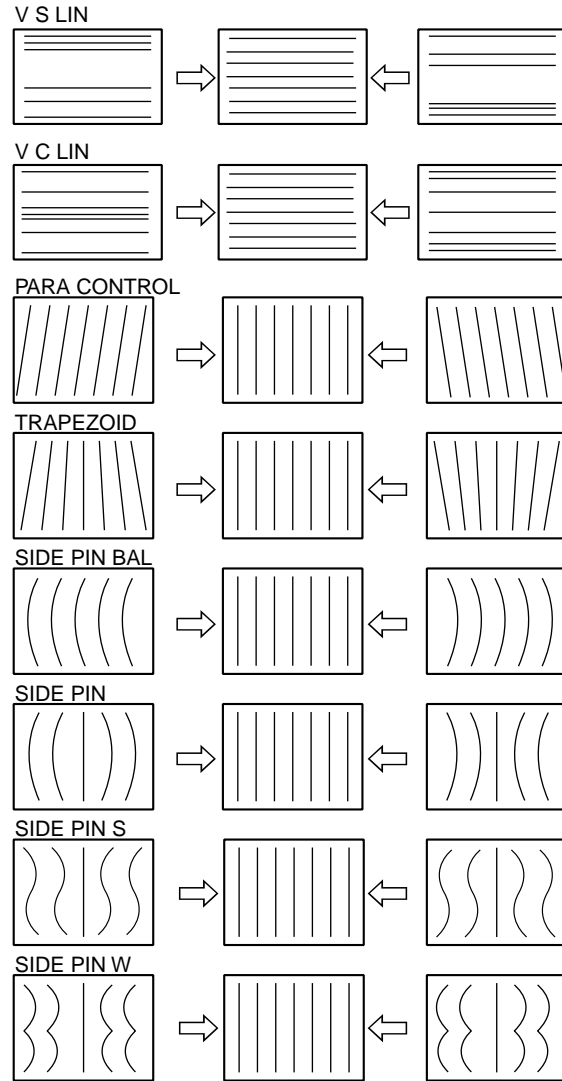
2-14. Deflection Adjustment

Find the following adjustment menu in the layer under the DEFLECTION menu of the service mode.

RASTER H	GEOMETRY
H SIZE	V S LIN
H BLK LEFT	V C LIN
H POSITION	TRAPEZOID
	SIDE PIN
RASTER V	SIDE PIN W
V SIZE	SIDE PIN BAL
V CENTER	PARA CONTROL
V BLK TOP	SIDE PIN S

1. Connect the 480/60I cross hatch signal to the Y/G terminal of RGB/COMPONENT IN connector.
2. Enter the service mode.
3. Select the 4:3 normal scan mode and check the followings. (The 16:9 button and UNDER SCAN button turn off.)
DY Inclination Distortion check
Top and bottom V PIN Distortion Check
If the specifications cannot be met, perform the DY Neck Rotation Adjustment.
4. Perform the horizontal trapezoid distortion adjustment using the TLY volume control of DY. If the horizontal trapezoid distortion is difficult to see, select Green Only mode. If the horizontal trapezoid distortion is adjusted significantly, the top and bottom vertical convergence will become out of adjustments.
5. Connect the 480/60I monoscope signal to the Y/G terminal of RGB/COMPONENT IN connector.
6. Adjust **V CENTER** of the menu until picture comes to the center of the screen in the vertical direction.
7. Connect the 480/60I cross hatch signal to the Y/G terminal of RGB/COMPONENT IN connector.
8. Adjust **V SIZE**, **V C LIN**, **V S LIN** and **H SIZE** until the upper and lower halves of the screen become symmetrical.
9. Adjust the trapezoidal distortion and PIN distortion of screen using **PARA CONTROL**, **TRAPEZOID**, **SIDE PIN BAL**, **SIDE PIN**, **SIDE PIN S** and **SIDE PIN W**.
10. Repeat adjustments from step 7 to step 9 until all specifications are satisfied at the same time. (Tracking)
11. Repeat adjustments from step 7 to step 9 starting from the 4:3 UNDER SCAN mode, then 16:9 NORMAL SCAN mode and finally 16:9 UNDER SCAN mode. (J/UC)
12. Perform the same adjustment for the 575/50I video signal.

Horizontal frequency	Signal specification	ASPECT ratio
15.625 kHz	575/50I	16 : 9/4 : 3
15.734 kHz	480/60I	16 : 9/4 : 3



Picture size specifications

14-inch

4 : 3 normal scan
 H : 14.9 ± 0.2 frames
 V : 9.3 ± 0.2 frames

4 : 3 under scan

H : 252 ± 2 mm
 V : 188 ± 2 mm

16 : 9 normal scan

H : 14.9 ± 0.2 frames
 V : 167 ± 2 mm

16 : 9 under scan

H : 252 ± 2 mm
 V : 142 ± 2 mm

20-inch

H : 14.9 ± 0.2 frames
 V : 9.3 ± 0.2 frames

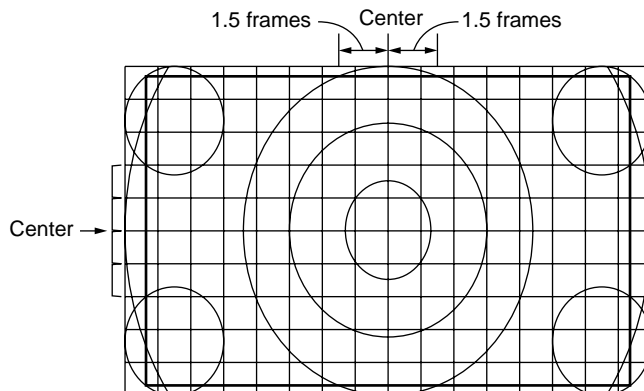
H : 364 ± 2 mm
 V : 272 ± 2 mm

H : 14.9 ± 0.2 frames
 V : 242 ± 2 mm

H : 364 ± 2 mm
 V : 205 ± 2 mm

H. SIZE : Adjust H. SIZE so that the crossing point of the second horizontal line (from the top and from the bottom) and the small circle in the corners agrees with the very ends of the effective picture size.

V. SIZE : Adjust V. SIZE so that 1/3 of the frame of the third largest circle in the center, should be hidden by the effective screen area both in the top and bottom. (Because the crossing points have the line width, select inside of the line width for adjustment.)



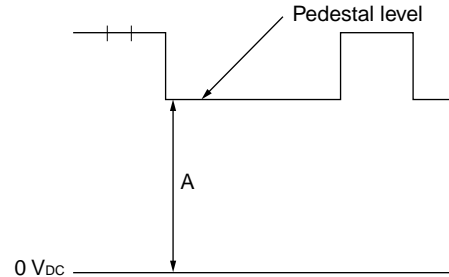
2-15. G2 Adjustment

Conditions

CONTRAST and BRIGHT : PRESET positions

1. Input a (480/60I) all-black signal to the COMPONENT Y IN connector.
2. Select the cathode that shows the highest pedestal level among the red, green and blue cathodes.
3. Connect probe of an oscilloscope as indicated below. Adjust RV709 on the C board so that the pedestal level becomes standard value as shown.

RED : TP701 or KR
 GREEN : TP702 or KG
 BLUE : TP703 or KB
 GND : TP700



Standard value A = 175 ± 2 Vdc (14 inch)
 Standard value A = 150 ± 2 Vdc (20 inch)

Fig. 2-27

2-16. White Balance Adjustment

1. Connect the 15K window signal to the Y/G terminal of RGB/COMPONENT IN connector.
2. Enter the service mode.
3. Select COMPONENT.
4. From the front panel, set as follows :
CONTRAST : 80
BRIGHT : 0 (mechanical center)
5. Set the CHROMA knob on the front panel to MIN.
6. Select the following sub menus from the Service Menu in the order of : [SIGNAL] → [WHITE BALANCE] and set [COLOR TEMP] to D65.
7. Select [ADJUST GAIN].
8. While fixing G to 700, adjust B and R for [X] : 313 and [Y] : 329.
9. Upon completion of adjustment, press the [MENU] key to return to the previous menu.
10. Change the signal level to 3 cd/m².
11. Select [ADJUST BIAS] of the menu.
12. While fixing G to 400 in the same way as in step 8, adjust B and R for the unity cut-off level.
13. Upon completion of adjustment, press the [MENU] key to return to the previous menu.
14. Repeat adjustments from step 7 to step 12 until all specifications are satisfied all at the same time. (Tracking)
15. Set [COLOR TEMP] to D93.
16. Set the adjustment value [X] : 283 and [Y] : 298.
17. Repeat adjustments from step 7 to step 14 in the same way.

2-17. SUB BRIGHT, SUB CONTRAST Adjustment

1. Input the 15 K monoscope signal to the COMPONENT IN connector.
2. Enter the service mode.
3. Select WHITE BALANCE.
4. Select SUB BRIGHT.
5. Set as follows from the operation panel:
CONTRAST : 0 (MIN)
BRIGHT : 0 (mechanical center)
6. Adjust [SUB-BRIGHT] in the service mode so that the 20-tone gray scale will be as follows :
0 and 5 IRE ⇒ CUT-OFF
10 IRE ⇒ Slight glow
7. Set CONTRAST on the operation panel to center.
8. Select SUB CONTRAST.
9. Input the window signal whose size is less than what is shown below.

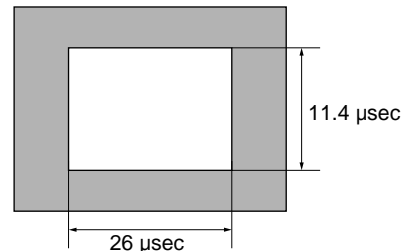


Fig. 2-28

10. Adjust luminance to the under standard value with SUB-CONTRAST.

Standard value :

	14 inch MODEL	20 inch MODEL
SUB CONT	170 cd/m ²	150 cd/m ²

11. Select UNDER SCAN. (4 : 3 UNDER SCAN)
12. Select SUB CONTRAST and adjust luminance to the standard value that is specified in step 10, with SUB-CONTRAST.
13. Select 16 : 9. (16 : 9 UNDER SCAN)
14. Select SUB CONTRAST and adjust luminance to the standard value that is specified in step 10, with SUB-CONTRAST.
15. Select UNDER SCAN. (16 : 9 NORMAL)
16. Select SUB CONTRAST and adjust luminance to the standard value that is specified in step 10, with SUB-CONTRAST.
17. Return to the 4 : 3 NORMAL screen.
18. Turn the POWER OFF.

2-18. White Balance Interference Correction Adjustment

2-18-1. NTSC Composite Adjustment

1. Input a 525 all-white (with burst) cut-off signal to LINE A connector.
2. Select LINE A from the operation panel.
3. Adjust the all-white luminance so that the screen luminance is less than 10 cd/m² and as close as possible to 3 cd/m² with the CONTRAST VR knob and BRIGHT VR knob on the operation panel.
4. Set the CHROMA on the operation panel to MIN and measure the color temperature.
5. Set the CHROMA on the operation panel to CENTER. Select **ADJUST FINE** and adjust **PB BLACK** and **PR BLACK** until the same color temperature as the color temperature value measured in step 4 is obtained.

2-18-2. PAL Composite Adjustment

1. Input a 625 all-white cut-off signal to LINE A connector.
2. Select LINE A from the operation panel.
3. Adjust the all-white luminance so that the screen luminance is less than 10 cd/m² and as close as possible to 3 cd/m² with the CONTRAST VR knob and BRIGHT VR knob on the operation panel.
4. Set the CHROMA on the operation panel to MIN and measure the color temperature.
5. Set the CHROMA on the operation panel to CENTER. Select **ADJUST FINE** and adjust **PB BLACK** and **PR BLACK** until the same color temperature as the color temperature value measured in step 4 is obtained.

2-18-3. COMPONENT Adjustment

1. Input a 525 all-white cut-off signal to COMPONENT connector.
2. Select COMPONENT from the operation panel.
3. Adjust the all-white luminance so that the screen luminance is less than 10 cd/m² and as close as possible to 3 cd/m² with the CONTRAST VR knob and BRIGHT VR knob on the operation panel.
4. Set the CHROMA on the operation panel to MIN and measure the color temperature.
5. Set the CHROMA on the operation panel to CENTER. Select **ADJUST FINE** and adjust **PB BLACK** and **PR BLACK** until the same color temperature as the color temperature value measured in step 4 is obtained.

2-18-4. SDI Adjustment

1. Install the BKM-120D into the option slot.
2. Select OPTION from the operation panel.
3. Input an SDI all-white cut-off signal to BKM-120D.
4. Adjust the all-white luminance so that the screen luminance is less than 10 cd/m² and as close as possible to 3 cd/m² with the signal generator.
5. Set the CHROMA on the operation panel to MIN and measure the color temperature.
6. Set the CHROMA on the operation panel to CENTER. Select **ADJUST FINE** and adjust **PB BLACK** and **PR BLACK** until the same color temperature as the color temperature value measured in step 5 is obtained.

Section 3

Safety Related Adjustment

This section explains the adjustment procedure when safety related component(s) is replaced. Perform the following adjustment when the safety related component(s) is replaced.

[Preparation]

Equipment Required

- Oscilloscope
Tektronix 2465 or equivalent (with bandwidth of 350 MHz)
- NTSC/PAL component signal generator
Tektronix TG2000 +AVG1 (option module) +AWVG1 (option module) or equivalent
- Monoscope signal generator
ShibaSoku TP22AX or equivalent
- VG (programmable video signal generator)
VG854 or equivalent
- DC power supply
- Digital VOM
Advantest TR6845 or equivalent
- Slide induction transformer
- Electrostatic Voltmeter
- High tension voltmeter
- Ammeter
- Luminance meter
Minolta CRT Color Analyzer CA-100 or equivalent.
If the Minolta CRT Color Analyzer CA-100 is not available, perform the measurement by visual inspection by comparing the monitor that has already been adjusted earlier with the monitor that you want to adjust.

Note

Start the following adjustments after 5 minutes have passed after the main power is turned on.

When the parts (with a mark on the circuit diagram) shown below are replaced, confirm the matters described in items 3-1 and 3-2 shown below.

G board (HV protector circuit)

- C546, D501, D516, D625, IC502, IC503, IC602, PH602, Q607, Q609, Q610, Q613, R509, R510, R511, R514, R515, R516, R565, R638, R640, R653, R654, R663, T502 (FBT)

3-1. +B Voltage Check

1. Supply the power source voltage of 127 to 130 V_{AC} to the set and turn ON the power.
2. Input the 480/60I all black signal, and adjust the BRIGHT and CONTRAST knobs on the front panel to MIN.
3. Check that the +B voltage is 115.8 to 117.4 V_{DC}.
+B voltage measurement point
For 14-inch receiver :
Between T502 FBT pin-4 on G board and GND.
For 20-inch receiver :
Between T502 FBT pin-2 on G board and GND.

3-2. High Tension Regulator Confirmation

1. Turn the POWER OFF.
2. Connect an electrostatic voltmeter to anode cap of CRT tube.
Electrostatic voltmeter : It must have input impedance of $2 \times 10^9 \Omega$ and have already been calibrated.
(Example : Singer ESH-27X or ESH-23X)
3. Supply AC power voltage of 130 V_{AC} to the unit and turn the POWER ON.
4. Input the 480/60I all black signal, and adjust the BRIGHT and CONTRAST knobs on the front panel to their mechanical MIN positions.
5. Confirm that the high tension voltage value satisfies the standard value.
Standard value : 23.0 ± 1.0 kV (14 inch)
27.0 ± 1.0 kV (20 inch)

3-3. Protection Circuit Confirmation

3-3-1. HV Protector Circuit Confirmation

1. Supply AC power voltage of 127 to 130 V_{AC} to the unit and turn the POWER ON.
2. Input the 480/60I all black signal, and adjust the BRIGHT and CONTRAST knobs on the front panel to MIN.
3. Confirm that the voltage between the D501 cathode (TP502) and GND on the G board satisfies the standard value.
Standard value : 20.0 V_{DC} or more (14 inch)
23.5 V_{DC} or more (20 inch)
4. Apply the following voltage between the D501 cathode and GND on the G board, and confirm that the protector circuit is not activated.
23.1 to 23.5 V_{DC} (14 inch)
27.1 to 27.5 V_{DC} (20 inch)
5. Apply the following voltage between the cathode (TP502) and GND of D501 on the G board, and confirm that the protector circuit is activated and raster disappears.
25.4 to 25.6 V_{DC} (14 inch)
29.3 to 29.5 V_{DC} (20 inch)

Section 4

Electrical Adjustments

4-1. Equipment Required

- Oscilloscope
Tektronix 2465 or equivalent (with bandwidth of 350 MHz)
- NTSC/PAL component signal generator
Tektronix TG2000 +AVG1 (option module) +AWVG1 (option module) or equivalent
- Monoscope signal generator
ShibaSoku TP22AX or equivalent
- VG (programmable video signal generator)
VG854 or equivalent
- Frequency counter
Advantest TR5821AK or equivalent
- Digital VOM
Advantest TR6845 or equivalent
- Slide induction transformer
- High tension voltmeter
- DC power supply
- Ammeter
- Luminance meter
Minolta CRT Color Analyzer CA-100 or equivalent.
If the Minolta CRT Color Analyzer CA-100 is not available, perform the measurement by visual inspection by comparing the monitor that has already been adjusted earlier with the monitor that you want to adjust.

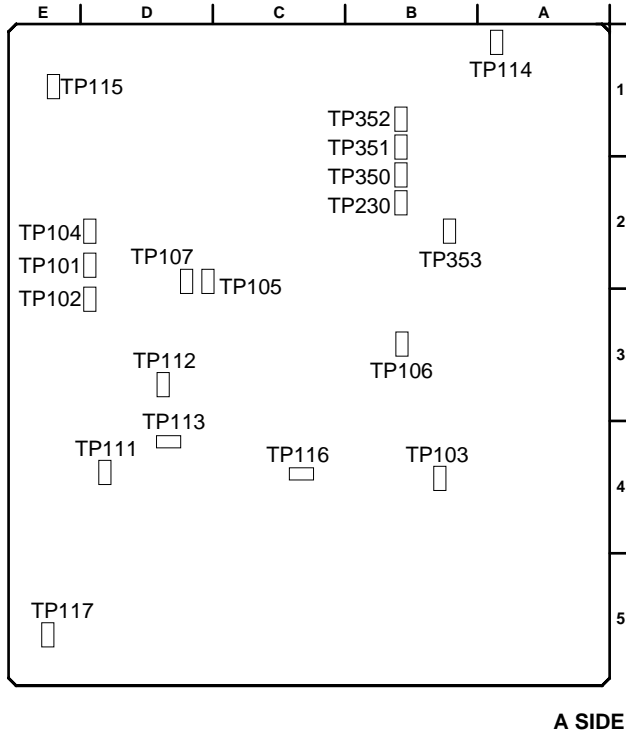
Note

Start the following adjustments 5 minutes after the main power is turned on.

4-2. B Board Adjustments

4-2-1. Preparations

1. Test point

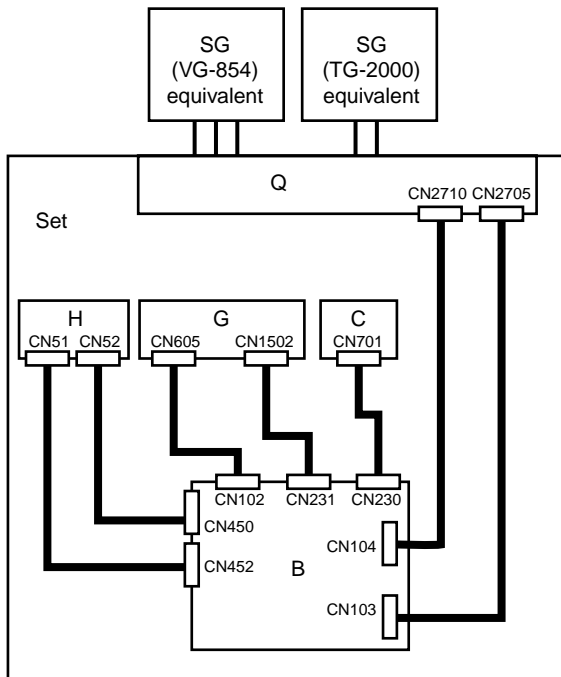


2. Preparation of signals

The B board can process various formats of video signal. The B board must be adjusted for each type of video signal format respectively. Input the signals that meet the following specifications to the connectors on the rear panel of the unit. The component signal should be the Sync-on-Green signal.

Signal			Signal level (mV)
Component	SMPTE	100 % Y	700
		Color bar B-Y	700
		R-Y	700
	75 %	Y	700
		Color bar B-Y	525
		R-Y	525
BETACAM SETUP 0	100 %	Y	714
		Color bar B-Y	1009
		R-Y	1009
	75 %	Y	714
		Color bar B-Y	756
		R-Y	756
BETACAM SETUP 7.5	100 %	Y	714
		Color bar B-Y	933
		R-Y	933
	75 %	Y	714
		Color bar B-Y	700
		R-Y	700
Composite	358NTSC	100 % White	714
		Burst	286
	PAL	100 % White	700
		Burst	300

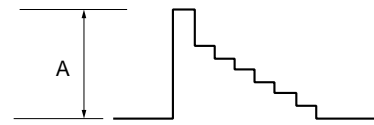
3. Connection diagram



4-2-2. NTSC SETUP 0 Mode Adjustment

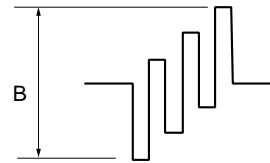
4-2-2-1. Y/C Input

1. Input the NTSC SETUP 0 100 % color bar signal to the Y/C IN connector of INPUT A.
2. Adjust Y LEVEL (AZ-29) of the menu until the waveform at TP106 meets the standard value.



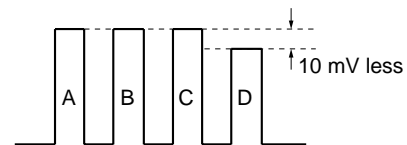
Standard value : A = 620 ± 10 mV

3. Adjust C LEVEL (AZ-35) of the menu until the waveform at TP107 meets the standard value.

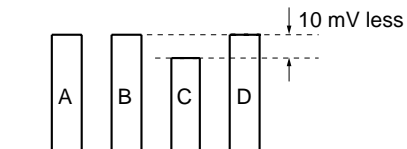


Standard value : B = 620 ± 10 mV

4. Adjust SUB CHROMA (A0-75) of the menu until the portions A and D of the waveform at TP350 (B board) become flat.

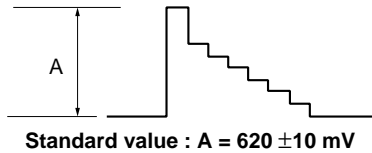


5. Adjust SUB PHASE (A0-8B) of the menu until the portions B and C of the waveform at TP350 become flat.

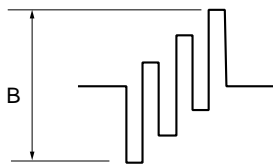


4-2-2-2. Composite Input

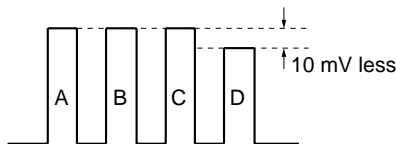
1. Input the NTSC SETUP 0 100 % color bar signal to the VIDEO IN connector of INPUT A.
2. Adjust Y LEVEL (A2-23) of the menu until the waveform at TP106 meets the standard value.



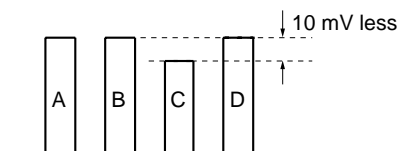
3. Adjust C LEVEL (A2-2F) of the menu until the waveform at TP107 meets the standard value.



4. Adjust SUB CHROMA (A0-74) of the menu until the portions A and D of the waveform at TP350 (B board) become flat.



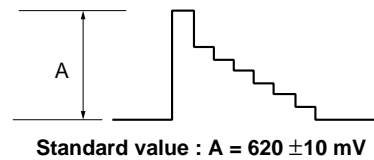
5. Adjust SUB PHASE (A0-8B) of the menu until the portions B and C of the waveform at TP350 become flat.



4-2-3. NTSC SETUP 7.5 Mode Adjustment

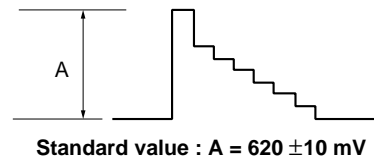
4-2-3-1. Y/C Input

1. Input the NTSC SETUP 7.5 100 % color bar signal to the Y/C IN connector of INPUT A.
2. Adjust Y LEVEL (A2-2A) of the menu until the waveform at TP106 meets the standard value.



4-2-3-2. Composite Input

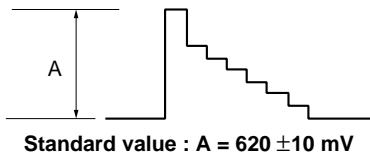
1. Input the NTSC SETUP 7.5 100 % color bar signal to the VIDEO IN connector of INPUT A.
2. Adjust Y LEVEL (A2-24) of the menu until the waveform at TP106 meets the standard value.



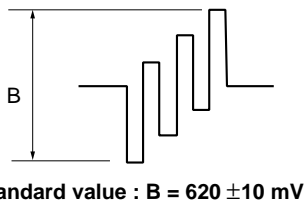
4-2-4. PAL Mode Adjustment

4-2-4-1. Y/C Input

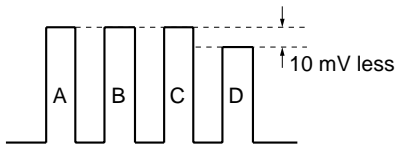
1. Input the PAL 100 % color bar signal to the Y/C IN connector of INPUT A.
2. Adjust Y LEVEL (A2-2B) of the menu until the waveform at TP106 meets the standard value.



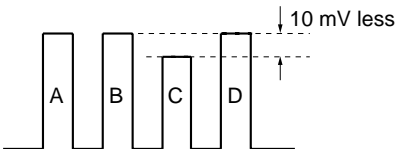
3. Adjust C LEVEL (A2-37) of the menu until the waveform at TP107 meets the standard value.



4. Adjust SUB CHROMA (A0-79) of the menu until the portions A and D of the waveform at TP350 (B board) become flat.

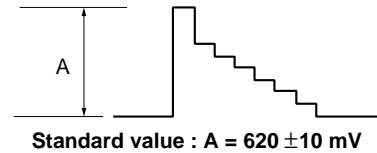


5. Adjust SUB PHASE (A0-90) of the menu until the portions B and C of the waveform at TP350 become flat.

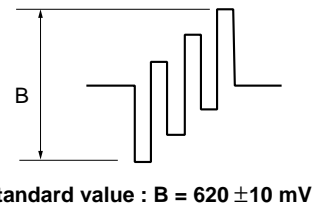


4-2-4-2. Composite Input

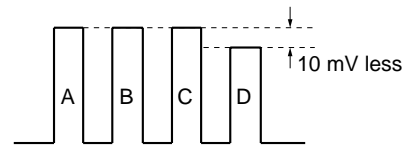
1. Input the PAL 100 % color bar signal to the VIDEO IN connector of INPUT A.
2. Adjust Y LEVEL (A2-25) of the menu until the waveform at TP106 meets the standard value.



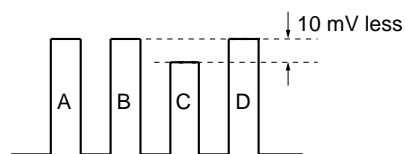
3. Adjust C LEVEL (A2-31) of the menu until the waveform at TP107 meets the standard value.



4. Adjust SUB CHROMA (A0-78) of the menu until the portions A and D of the waveform at TP350 (B board) become flat.

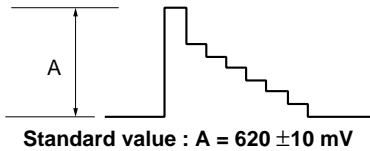


5. Adjust SUB PHASE (A0-8F) of the menu until the portions B and C of the waveform at TP350 become flat.

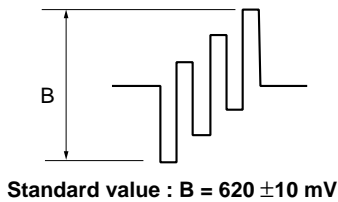


4-2-5. Y PBPR SMPTE (601) Signal Adjustment

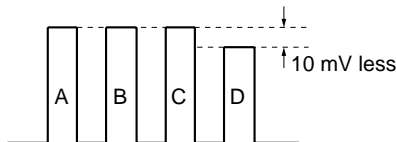
1. Input the 15 kHz/60 Hz Y PBPR SMPTE (601) 100% color bar signal to the RGB/COMPONENT connector.
2. Press the RGB/COMPONENT switch on the control panel to switch to Y PBPR SMPTE.
3. Adjust Y LEVEL (A2-2C) of the menu until the waveform at TP106 meets the standard value.



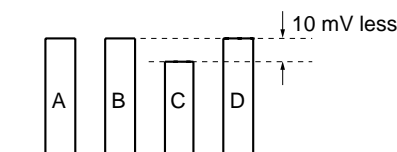
4. Adjust C LEVEL (A2-38) of the menu until the waveform at TP107 meets the standard value.



5. Adjust SUB CHROMA (A0-7A) of the menu until the portions A and D of the waveform at TP350 (B board) become flat.

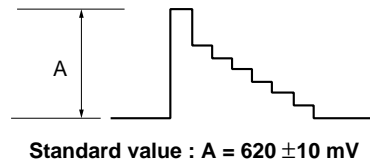


6. Adjust SUB PHASE (A0-91) of the menu until the portions B and C of the waveform at TP350 become flat.

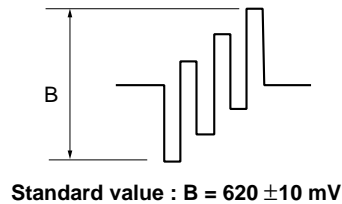


4-2-6. Y PBPR BETACAM SETUP 0 Signal Adjustment

1. Input the 15 kHz/60 Hz Y PBPR BETACAM SETUP 0 100 % color bar signal to the RGB/COMPONENT connector.
2. Press the RGB/COMPONENT switch on the control panel to switch to Y PBPR BETACAM SETUP 0.
3. Adjust Y LEVEL (A2-2D) of the menu until the waveform at TP106 meets the standard value.

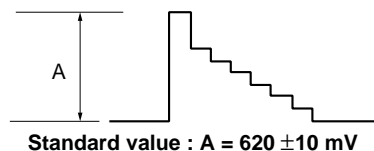


4. Adjust C LEVEL (A2-39) of the menu until the waveform at TP107 meets the standard value.

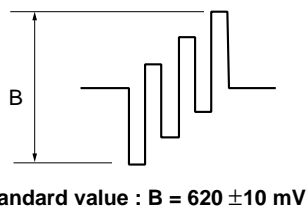


4-2-7. Y PBPR BETACAM SETUP 7.5 Signal Adjustment

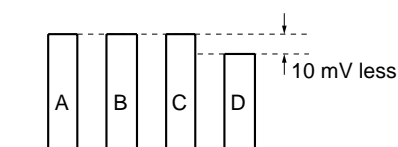
1. Input the 15 kHz/60 Hz Y PBPR BETACAM SETUP 7.5 100 % color bar signal to the RGB/COMPONENT connector.
2. Press the RGB/COMPONENT switch on the control panel to switch to Y PBPR BETACAM SETUP 7.5.
3. Adjust Y LEVEL (A2-2E) of the menu until the waveform at TP106 meets the standard value.



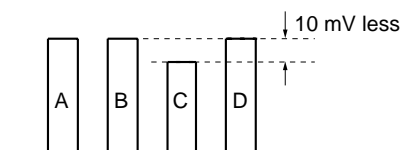
4. Adjust C LEVEL (A2-3A) of the menu until the waveform at TP107 meets the standard value.



5. Adjust SUB CHROMA (A0-7A) of the menu until the portions A and D of the waveform at TP350 (B board) become flat.



6. Adjust SUB PHASE (A0-91) of the menu until the portions B and C of the waveform at TP350 become flat.



Section 5

Theory of Operation

5-1. B Board

1. Input section - Decoder section

Because the signal paths are different depending on the input signal, the respective signal path for each input signal, are described below.

(1) Video signal and Y/C signal

The LINE A/B video signal that is selected by the VIDEO switch on the Q board, or the Y signal from the Y/C input of LINE A connector, is input to the B board from CN103 pin-1, and then to IC104 (CXA2163AQ) pin-1. The C signal from the Y/C input of LINE A connector, is input to the B board from CN103 pin-3, and then to IC104 pin-48.

When the VIDEO signal is input, the video signal that is input to IC104 pin-1 is output as it is from IC104 pin-3, passes through the 20 MHz band-pass filter FL107 and is sent to the digital comb filter IC111 pin-15 where the video signal is separated to the Y signal and the C signal. The Y signal is output from IC111 pin-6 and the C signal is output from IC111 pin-8. Both of the Y and C signals pass through the 20 MHz band-pass filters FL108/FL109 to remove the digital noise that is added during processing by IC111, and are sent to IC104 pin-5/pin-7 respectively.

The Y and C signals from IC111, or the LINE A : Y and C signal of the Y/C input from the Q board, is selected inside IC104 internally. The selected signal is decoded to Y, R-Y and B-Y signals.

The decoded Y, R-Y and B-Y signals, or the component signals (see (2)) that are directly input to IC104 pin-25, -26 and -27, are selected inside IC104 again internally. The selected signals are output from pin-21 (Y), -22 (Cb) and -23 (Cr), and are sent to IC231 pin-3 (Y), -2 (Cb) and -1 (Cr)

(2) Component signal

The Y/G signal of the component signal that is supplied from the Q board, is input to CN104 pin-1, the B-Y/B signal to CN104 pin-3 and the R-Y/R signal to CN104 pin-5 of the B board. On the other hand, the Y/G signal of the component signal that is supplied from the option board, is input to CN101 pin-B12, the B-Y/B signal to CN101 pin-B14 and the R-Y/R signal to CN101 pin-B16 of the B board respectively. Either one of the above two component signals is selected by IC101 and routed to the main unit or to option. The selected signals are sent to IC104 pin-31 (B-Y), -30 (Y) and -29 (R-Y). As described in paragraph (1), they are selected inside IC104 and are output from pin-21 (Y), -22 (Cb) and -23 (Cr).

(3) OSD insertion

The OSD signals are output from pin-18 (G), -19 (R) and -20 (B) of IC452, buffered by IC109 and are sent to pin-3 of IC112 (G), IC113 (R) and IC114 (B). When the OSD signal is displayed, and when either Video signal is input or Y/C signal is input or Component signal is input, only the OSD signal alone is output from pin-7 of the respective ICs and are sent to pin-10 (R), -11 (G) and -12 (B) of IC231 respectively. The OSD signal is superimposed on video signal and is output. When the OSD signal is input while the RGB signal is being input, the signal processing of the OSD signal will be discussed in paragraph (4).

(4) RGB input

The RGB input signals take the same input signal path as those of the Component input signals. After the input circuit, the output signals from IC101 are buffered and clamped by IC115, Q113, Q114, Q115 and Q116. They are sent to pin-1 of IC112 (G), IC113 (B) and IC114 (R) respectively. Because the OSD signals are being input to pin-3 of these ICs, the OSD signal is super-imposed on the video signal during OSD mode, and is output from the respective ICs. The output signals from these ICs are sent to pin-10 (R), pin-11 (G) and pin-12 (B) of IC231 respectively.

2. CXA1739S peripheral circuit

IC231 (CXA1739S) accepts the Y/Cb/Cr signal from 1. -(2) at pin-1 (Cr), pin-2 (Cb) and pin-3 (Y). It also accepts the RGB signal from 1. -(4) at pin-10 (R), pin-11 (G) and pin-12 (B). Either one of these two input signals is selected inside the IC. This IC contains the function of applying the matrix processing to these signals and to generate the CRT drive output signals.

At the same time, this IC contains the automatic cut-off control function that is used to apply the current feedback to the CRT drive.

3. ABL circuit

The ABL circuit consists of the PIC ABL circuit that is Q239 and the BRT ABL circuit that is Q235. The emitter circuit of these two transistors receives the ABL voltage that is supplied from the deflection block while the base circuit of these two transistors receives the DC voltage that is generated by dividing +12 V power voltage. The collector circuits of two transistors are connected to IC231 pin-46 (PIC control) and pin-7 (BRT control) respectively. When the transistors Q239/Q235 are turned on, their control voltages decrease to activate the ABL operation. The different base circuit voltages are switched between the 16:9 aspect mode and 4:3 aspect mode by Q242 so that the ABL operations are also switched.

4. Blanking pulse shaping

The H blanking pulse is generated by IC356 and IC357 from the AFC pulse supplied from the G board. Duration of the H blanking signal is changed by changing the pulse width using IC356. The V blanking pulse is generated by IC353 and IC355 from the OR-gate output between the V SYNC (pin-4) pulse from IC104 and the V deflection pulse from the G board. Duration of the V blanking signal is changed by changing the pulse width using IC355.

5. BLUE ONLY circuit

When the BLUE ONLY button on the front panel is pressed, this signal is detected by IC451 (CPU) and sets the B/O line to low. This signal is again detected by IC232 that mutes the green/red signals that are output from IC231. Note that the signal is not muted during the V blanking period because the 1k reference pulse that is used for automatic cutoff circuit, is super-imposed in the V blanking period.

6. AUTO CHROMA PHASE

When the specified color bar signal is input, the R, G and B signal levels that are output from IC231 are detected by Q245, Q244 and Q243, and are input to pin-74, -75 and -76 of IC451 (CPU). The AUTO CHROMA PHASE circuit functions so that the above signal levels match with the reference level with the use of SUB CHROMA/SUB PHASE.

7. System control

This apparatus is controlled by IC451 (system control CPU). Various settings are saved in IC450 (EEPROM).

8. Parallel remote control

Statuses of the parallel remote terminal are read by IC3770 of the Q board, transferred to IC451 (CPU) to control this apparatus.

5-2. Deflection and High Voltage Circuit

1. Sync Signal Processing Circuit

The horizontal and vertical sync signals that are input from the G board CN1502 (pin-4/pin-12), are sent to the deflection signal processor IC1551 (pin-26/pin-28).

In IC1551, the horizontal drive waveform, dynamic focusing parabolic waveform, picture distortion correcting parabolic waveform, vertical drive waveform and H/V blanking waveforms that are required by the deflection circuit, are generated and output. Waveforms of these signals are directly control by the microprocessor via I²C.

The horizontal free-run frequency is adjusted by 480/60i (15.734 kHz).

2. Horizontal Output Circuit

The horizontal drive signal that is output from IC1551 is amplified by the horizontal drive circuit consisting of Q1505 and the peripheral circuit. It drives T1502 (HDT) and Q1506 (H OUT). The H pulse that is generated by the resonance of C1520, C1521, DY H winding impedance and primary winding impedance of T502 (FBT), is divided of its voltage and is shaped by Q1508 and the peripheral circuit. The H pulse is supplied to IC1551 pin-14 and to the B board as the AFC pulse.

The picture distortion correct is performed by the diode modulation circuit consisting of D1508, D1509, L1505 and Q512 (PIN OUT). The picture distortion correct is controlled by the parabolic waveform supplied from IC1551 pin-9.

T502 (FBT) is driven by the H pulse generated by Q1506 in order to supply high tension voltage to CRT. The high tension voltage is about 23 kV for 14-inch model and about 27 kV for 20-inch model.

3. Vertical Output Circuit

The vertical output circuit consists of IC1501 and the peripheral circuit

The V drive signal that is output from IC1551 pin-8 is sent to IC1501 pin-1 where the signal is amplified to generate the vertical output signal. For the V center position adjustment, the V DC signal that is output from the B board IC352 pin-5 is input to IC1501 pin-7 so that the V center position is adjusted. The V amplitude adjustment and V center position adjustment are controlled by the B board IC352.

4. Focus Output Circuit (PVM-20L2 only)

The H focus signal that is output from IC1551 pin-13 is amplified by the H focus amplifier circuit consisting of Q501, Q502, Q503 and the peripheral circuit. Then the H focus signal drives T501 (DFT). The H focus signal that is amplified to about 500 V is supplied to T502 pin-17.

Since the H focus signal gives adverse effect inside CRT as it interferes with the white balance reference pulse, the H parabolic signal is not used by a constant voltage is used for the period during the V retrace period. Switching between the H parabolic signal and the constant voltage is performed by Q1504 and C1507.

5. Protector Circuit

The HV protector circuit consists of IC502, IC503 and the peripheral circuit. When the voltage at T502 pin-6 (the third winding of FBT) increases and exceeds the reference voltage set by IC503, the power protector (+B voltage shut-down) is activated via D516. The operating point of the protector circuit is about 27 kV (14 inch) and about 30 kV (20 inch) when converted to the high tension voltage.

The Ik protector circuit consists of IC502, IC503 and the peripheral circuit. The ABL current is detected by R526, R507 and R528. When the detected voltage increases and exceeds the reference voltage set by IC503, the Ik protector circuit operates so that the power protector (+B voltage shut-down) is activated via D514. The operating point of the protector circuit is set to about 1500 micro amperes when converted to the ABL current.

5-3. Power Supply Circuit

The power supply block of this circuit board consists of the following two switching regulators.

1. The power regulator for improving power factor in order to conform this system to the power supply harmonics regulation.
2. The power regulator for the main power supply that supplies the necessary voltages to the signal circuit, deflection circuit and high voltage circuit.
3. Over-voltage protection and over-current protection circuits

1. Power factor improvement block

The power factor improvement block of this power supply uses the active filter IC module (IC601) of the current-critical type boost-chopper system to conform to the power supply harmonics regulation.

The power factor improvement block consists of IC601, L602, C608, C617 and the related components. IC601 is the module IC that contains the control IC, switching FET, boost diode and input/output voltage detector inside the module.

The basic operation of the power factor improvement block is described below. When the Vcc power is supplied, the input Vcc power turns on FET so that a current starts flowing in the primary winding of L602 and FET. This current increases with the slope of $V_{in}(\text{rms})/L$, where L is the inductance value of the primary winding of L602. This FET current is monitored by the source current detecting resistor connected between pin-4 and pin-7 of IC601. When the detected voltage increases and reaches the set value determined by the multiplier located inside the control IC, the FET turns off. Then a current that decreases with the slope of $(V_d - V_{in}(\text{rms}))/L$ flows in the boost diode. When this decreasing current becomes zero, the FET is turned back to on. By the circuit operation as described above, the current-critical operation is realized. (Vd: Voltage across C617, Vin: Input power voltage)

The above-described single cycle of the circuit operation is repeated all the time. When this circuit operation is observed during a half-cycle period of a commercial power frequency, the control IC determines ON/OFF timing of the FET so that the peak value of the choke current resembles to the sine waveform of the input power voltage.

As the result of this control, the input voltage waveform resembles to the input current waveform so that the power factor is improved. As the result of this control, the voltage Vd across C617 becomes higher than the peak value of the input power voltage, and is set to about 380 V regardless of the input power voltage.

2. Power regulator for the main power supply

The circuit system of this power regulator is the separate-excitation type current-resonant converter called EX-Z power supply using MCZ3001.

The main power supply block consists of the control IC: IC602, the main switching FET: Q615 and Q616, the converter transformer: T602, the rectifier diode in the secondary circuit and the smoothing capacitor.

The high-side drive pulse and the low-side drive pulse that are output from IC602 turn on Q615 and Q616 alternately to perform the push-pull operation.

As the result of push-pull operation, the switching output signal is applied to T602 that creates the series resonance operation with C622 so that the power energy is transmitted to the secondary side.

The control IC generates the drive pulse at the frequency enabling to sustain the resonant operation. This is the power that is different from the conventional switching system.

In order to control this switching operation, the secondary output: 115 V power line is controlled by the constant voltage control with IC603. The output signal from IC603 is returned to IC602 via isolator PH601 to change time timing of drive pulse frequency so that the secondary output is controlled by the constant voltage control.

The secondary output of T602 supplies +115 V output voltage and other various output voltages in addition to the +115 V power voltage, such as +200 V, +15 V, -15 V, +7 V, -7 V and HEATER voltages.

The output voltages of the +15 V, +7 V, and -7 V power supplies are power-regulated by the three-terminal regulator so that they are regulated to the +12 V, +5 V, and -5 V power supplies that are distributed to each circuit board.

3. Over-voltage protection and over-current protection circuits

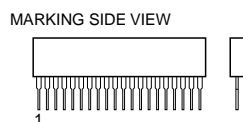
The +115 V power line of the main power regulator contains the over-voltage protection and over-current protection circuits in order to protect the power supply circuits and the loads in the case of abnormal loading and in the case if the voltage-feedback system becomes defective.

When over-current occurs in the +115 V power line, the latch circuit consisting of Q611 and Q612 turns on. When over-voltage occurs in the +115 V power line, the latch circuit consisting of Q609 and Q610 turns on. Then the drive pulse that is output from IC602 via the isolator PH602 is stopped in order to stop operation of the main regulator.

This protection circuit is released in several minutes after the input power is turned off.

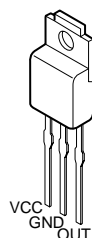
Section 6 Semiconductors

AN5278

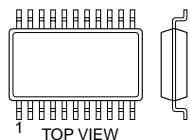


9pin SIP

BA12T

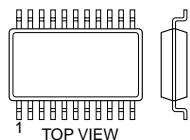


BA7046F
CXA1211M
CXA1211M-T4
LM358D
LM358DR
LM393PS
LM393PS-E20
M24C08-WMN6T
M24C08-WMN6T(A)
MM1113XFB
NJM2233BM
NJM2233BM(TE2)
TC7W32F
TC7W32F(TE12R)
TC7W34FU(TE12R)
TL1431CZT



8pin SOP

BU4021BF-E2
BU4053BCFV-E2
MC74HC157AFEL
MC74HC4053AFEL
MC74HC4538AF
MC74HC4538AFEL
TC74HC4538AF
TC74HC4538AF-TP2



16pin SOP

MCZ3001DA



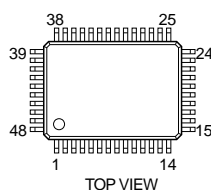
18pin DIP

CXA1739S

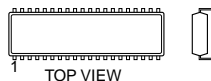


48pin DIP

CXA2163AQ-T6

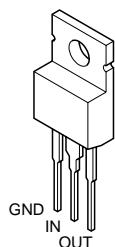


CXA8071CP

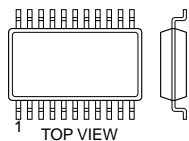


30pin DIP

LM7905CT

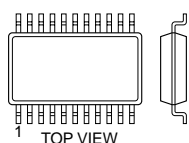


M62399FP(TE2)
M62399FP-TE2



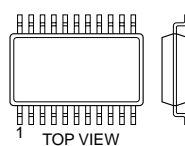
20pin SOP

MB88141APF-ER



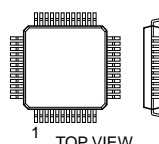
24pin SOP

MB90096PF-G-248-BND-ER



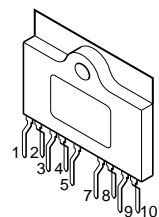
28pin SOP

MC141627FT

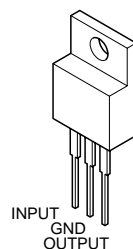


48pin QFP

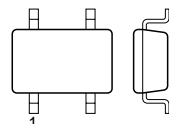
MZ1530



NJM7805FA
UPC2405AHF

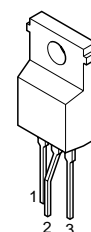


S-80842ANNP-B83T2G
S-80842ANNP-ED6-T2
S-80842CNNB-B83T2G

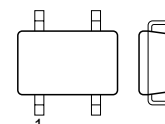


4pin CHIP

SE115N
SE115N(HYBRID)

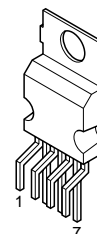


TC4S11F
TC4S30F
TC7S08FU-TE85R
TC7S32FU-TE85R
TC7S32FU-TE85R

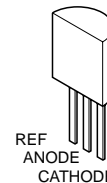


5pin CHIP

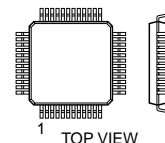
TDA8177



UPC1093J
UPC1093J-T



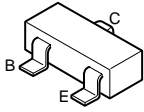
UPD70F3033AYGC-M17-8EU
UPD70F3033AYGC-8EU



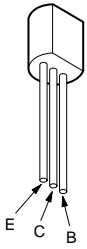
100pin QFP

Transistor, Diode

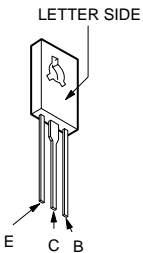
2SA1037AK-T146-QR
 2SA1037AK-T146-R
 2SC1623-L5L6
 2SD601A-Q-TX
 DTA114GKAT146
 DTA144EKA-T146
 DTC144EKA
 DTC144EKA-T146



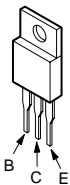
2SA1091-0
 2SC2551-O
 2SC2551O-TPE2



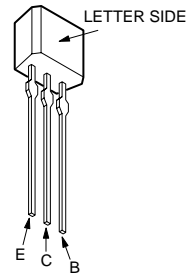
2SB1151
 2SB1151-L
 2SC2611
 2SC2688-LK
 2SD1683-T



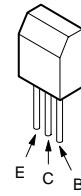
2SB1375
 2SC5450-CA
 2SD1134
 2SD1134-C



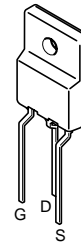
2SC2785-HFE
 2SC2785TP-HFE
 2SC3311A-QRSTA



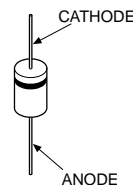
2SD774-34
 2SD774-T-3



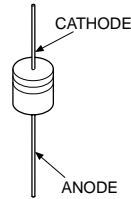
IRFIB7N50A



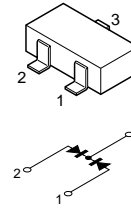
10E2
 10E2(RECTI)
 10E2-TA2B
 10ERA60-TP
 1SS226
 1SS226-TE85L
 D1NL20U-TR
 EGP10D
 EL-1Z
 EL1Z(RECTI)
 ERD07-15
 GP08D
 GP08DPKG23
 HSS83TD
 RB441Q-40T-77
 RGP02-17EL-6433
 RGP15K-6179G23
 UF4005PKG23
 UF5408



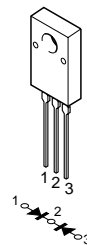
1SS119-25
 1SS119-25TD
 D1NL20U-TR
 RD12ESB2
 RD12ES-T1B2
 RD15ES-B1
 RD18ES-B1
 RD18ES-T1B1
 RD20ES-B2
 RD20ES-T1B2
 RD27ES-B2
 RD5.1SB3-T1
 RD5.1SB3-T2(5MA)
 RD5.6ES-B2
 RD5.6ES-T1B2
 RD6.8SB2-T1



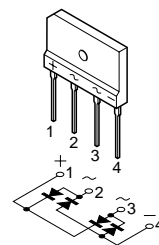
1SS184
 1SS184-TE85L



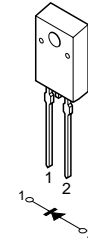
D10SC9M
 D5LC40



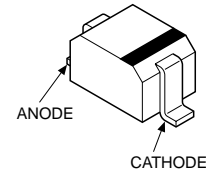
D4SB60L
 D4SBL20UF3
 D4SBS4-F
 D4SBS6-F



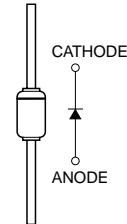
D5L60
 D5S6M



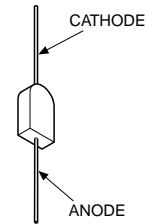
DTZ10B
 DTZ13B
 MA111-(K8).S0
 MA111-TX
 MM3Z13VT1
 MM3Z15VT1
 RD10SB1
 RD12SB1-T1
 RD12SB2
 RD12SB2-T1
 RD30SB-T1
 RD5.1SB2-T1
 RD5.1SB2-T2
 RD6.2SB2-T1



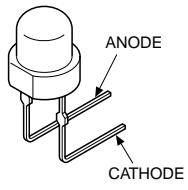
RD27ES-B2
 RD27ES-T1B2



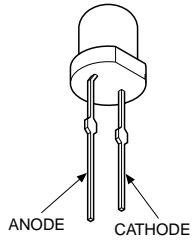
RM11C(RECTI)



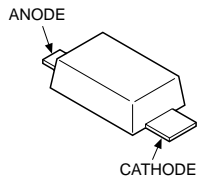
SEL2410E



SEL3810DLC05



UDZSTE-173.6B



Section 7

Spare Parts

7-1. Notes on Repair Parts

1. Safety Related Components Warning

WARNING

Components marked \triangle are critical to safe operation. Therefore, specified parts should be used in the case of replacement.

WARNHINWEIS

Les composants identifiés par la marque \triangle sont critiques pour la sécurité. Ne les remplacer que par une pièce portant le numéro spécifié.

2. Standardization of Parts

Some repair parts supplied by Sony differ from those used for the unit. These are because of parts commonality and improvement.

Parts List has the present standardized repair parts.

3. Stock of Parts

Parts marked with “o” at SP (Supply Code) column of the Spare Parts list may not be stocked. Therefore, the delivery date will be delayed.

Items with no part number and no description are not stocked because they are seldom required for routine service.

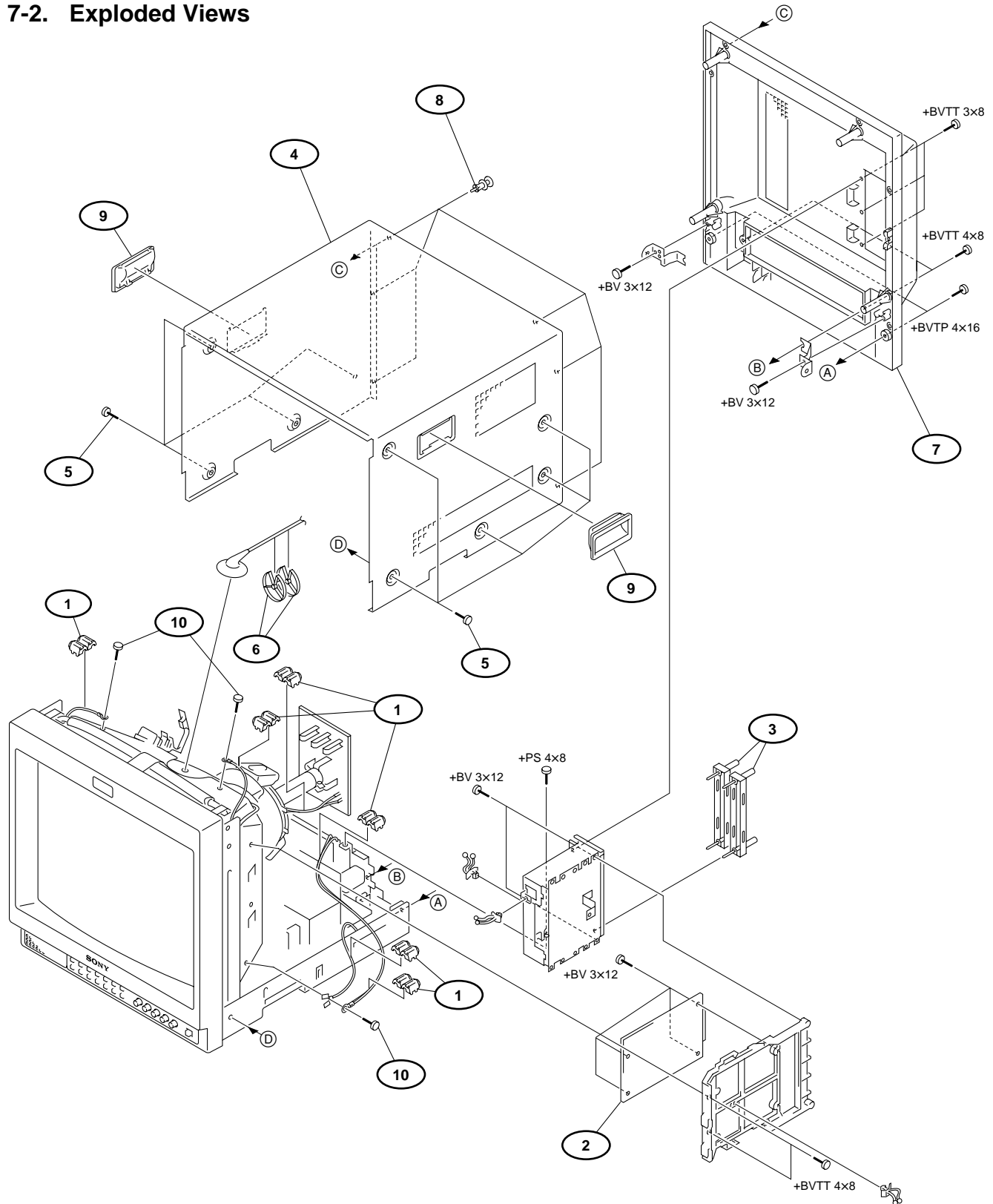
4. Units for Capacitors, Inductors and Resistors

The following units are assumed in Schematic Diagrams, Electrical Parts List and Exploded Views unless otherwise specified.

Capacitors	: μF
Inductors	: μH
Resistors	: Ω

Top Cover Section (14 Inch)

7-2. Exploded Views



No. Part No. SP Description

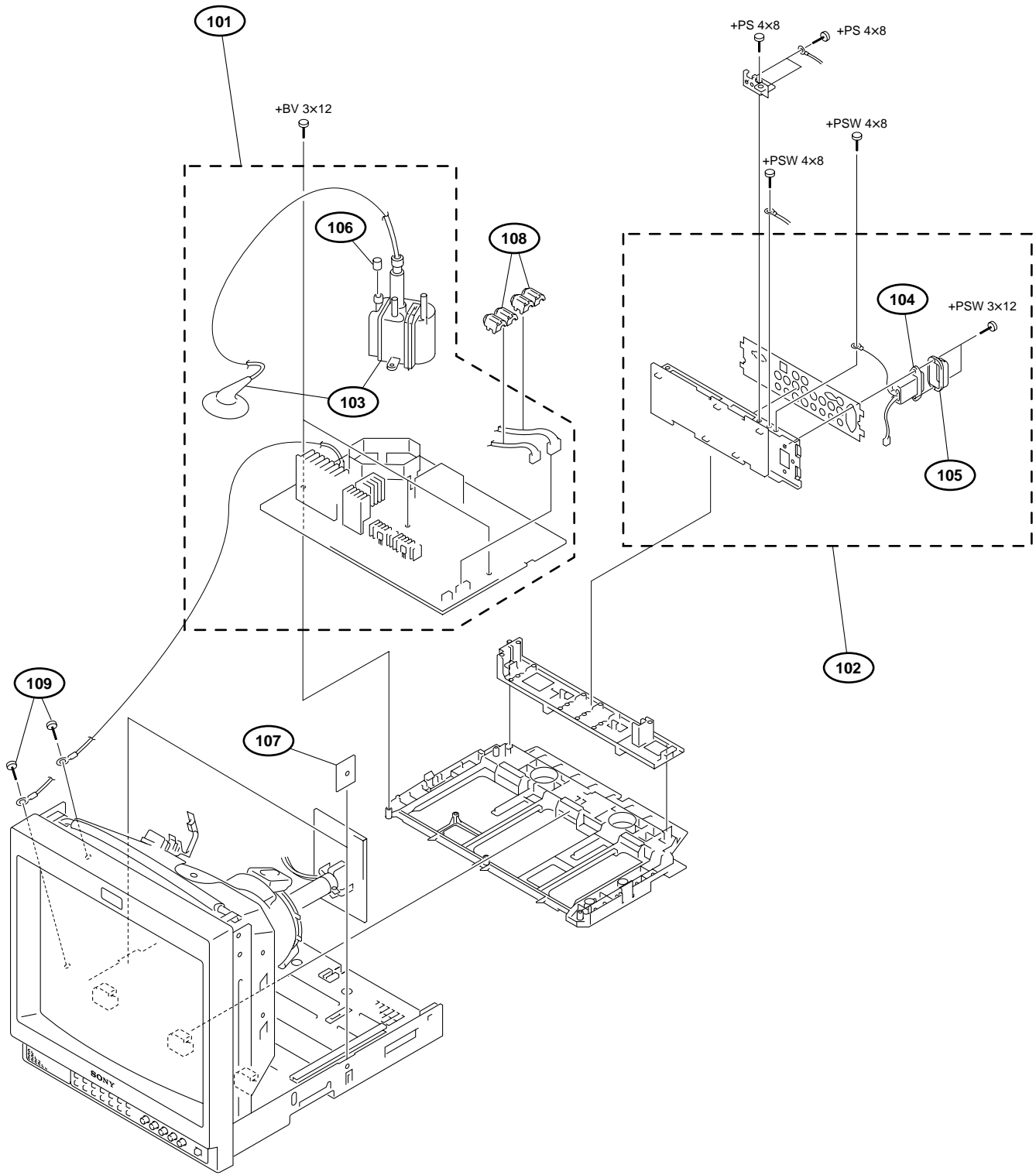
- 1 1-469-778-11 s CLAMP, FERRITE
- 2 A-1303-016-A s MOUNTED CIRCUIT BOARD, B
- 3 X-4037-166-2 o PANEL ASSY, BLANK
- 4 Δ 4-092-264-11 s COVER, TOP
- 5 3-703-354-41 s SCREW (OS), CASE, CLAW

- 6 3-704-372-01 o HOLDER, HV CABLE
- 7 Δ 4-092-266-03 o COVER, REAR
- 8 4-391-825-01 s RIVET, NYLON
- 9 4-093-449-01 s HANDLE
- 10 4-389-025-01 s SCREW, TAPPING M4X8 W/WASHER (ST)

Screws/Washers

- 7-682-661-01 s SCREW, +PS 4X8 (EP-FE/ZN/CM2)
- 7-685-648-79 s SCREW, +BV 3X12 (EP-FE/ZNBK/CM2)
- 7-685-872-09 s SCREW, +BVTT 3X8 (EP-FE/ZNBK/CM)
- 7-685-881-09 s SCREW, +BVTT 4X8 (EP-FE/ZNBK/CM)
- 7-685-663-79 s SCREW, +BVTP 4X16 (EP-FE/ZNBK/CM2)

G Board and Q Block Assembly (14 Inch)



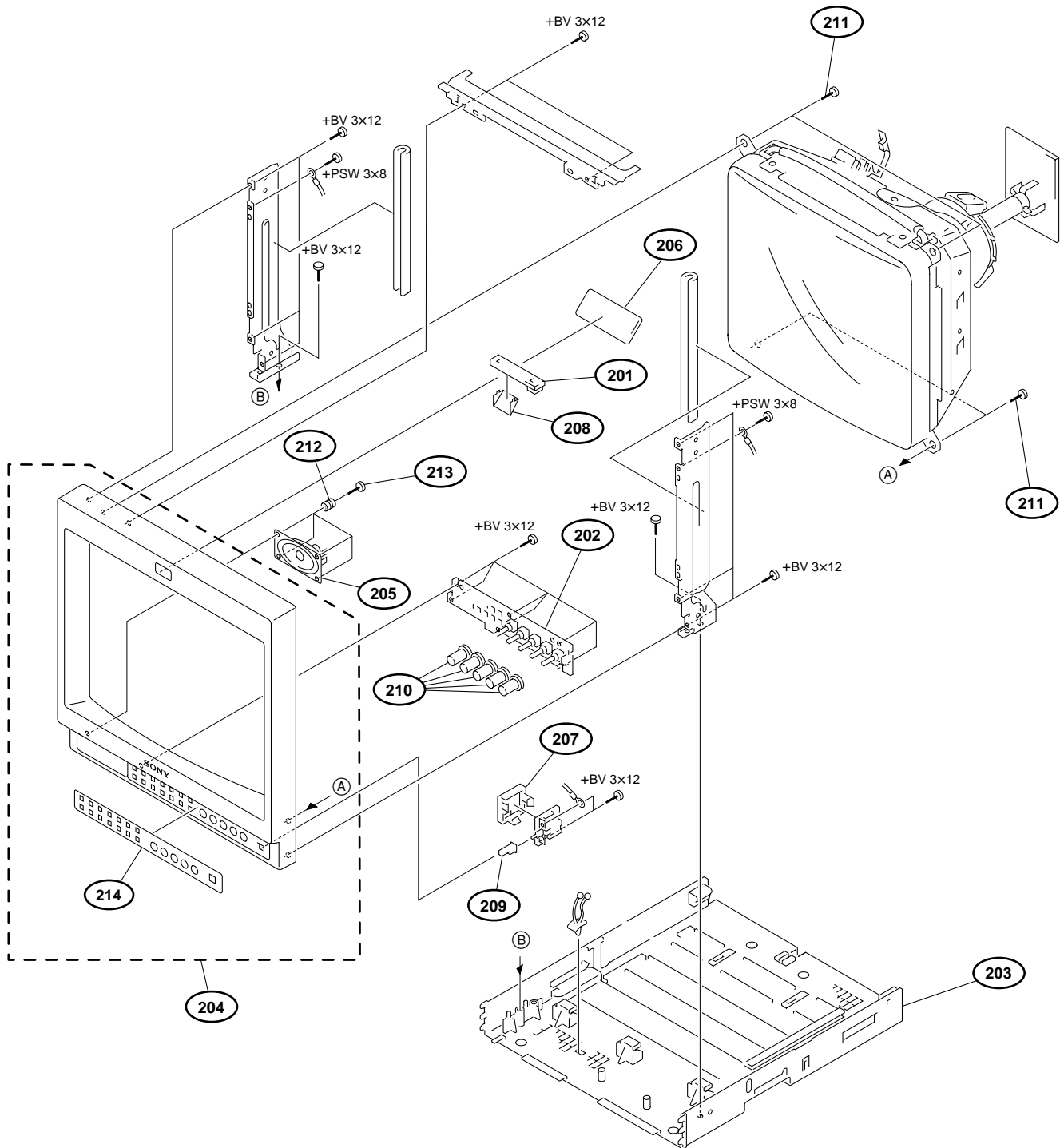
G Board and Q Block Assembly (14 Inch)

No.	Part No.	SP Description
101	A-1303-015-A	s MOUNTED CIRCUIT BOARD, G
102	8-330-030-82	s Q BLOCK ASSY
103	△ 1-453-446-11	s FBT ASSY (NX-4525/M3A4)
104	△ 1-251-382-11	s INLET, AC 3P (WITH NOISE FILTER)
105	2-990-241-02	o HOLDER (A), PLUG
106	4-042-892-01	s CAP, MV
107	4-042-608-01	s NAT, PLATE
108	1-469-241-11	s CORE, FERRITE (RFC-8 BK)
109	4-389-025-01	s SCREW, TAPPING M4X8 W/WASHER (ST)

Screws/Washers

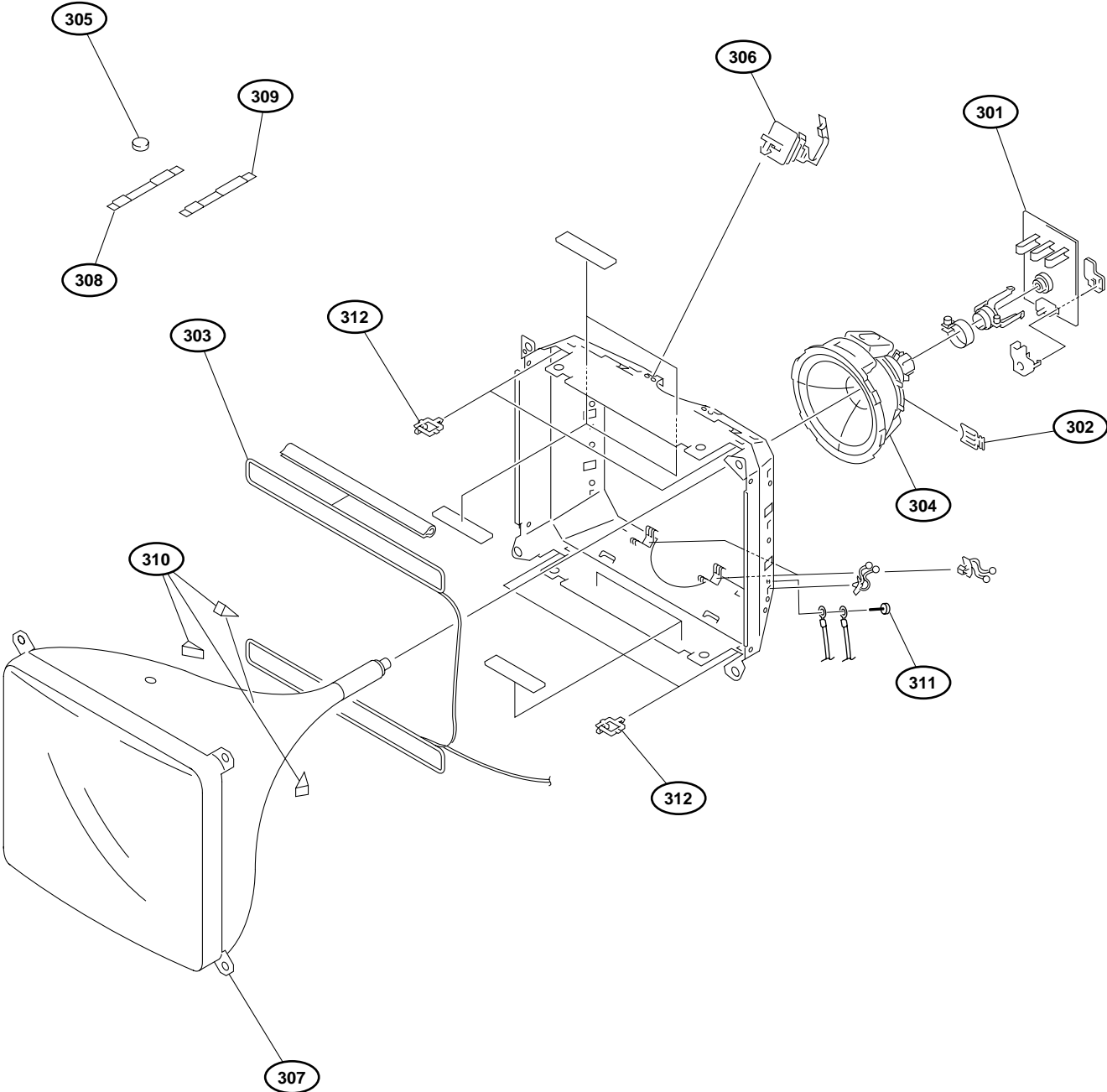
7-682-961-01	s SCREW, +PSW 4X8
7-682-950-09	s SCREW, +PSW 3X12 (EP-FE/ZNBK/CM2)
7-685-648-79	s SCREW, +BV 3X12 (EP-FE/ZNBK/CM2)
7-682-661-01	s SCREW, +PS 4X8 (EP-FE/ZN/CM2)

Chassis and Bezel Section (14 Inch)



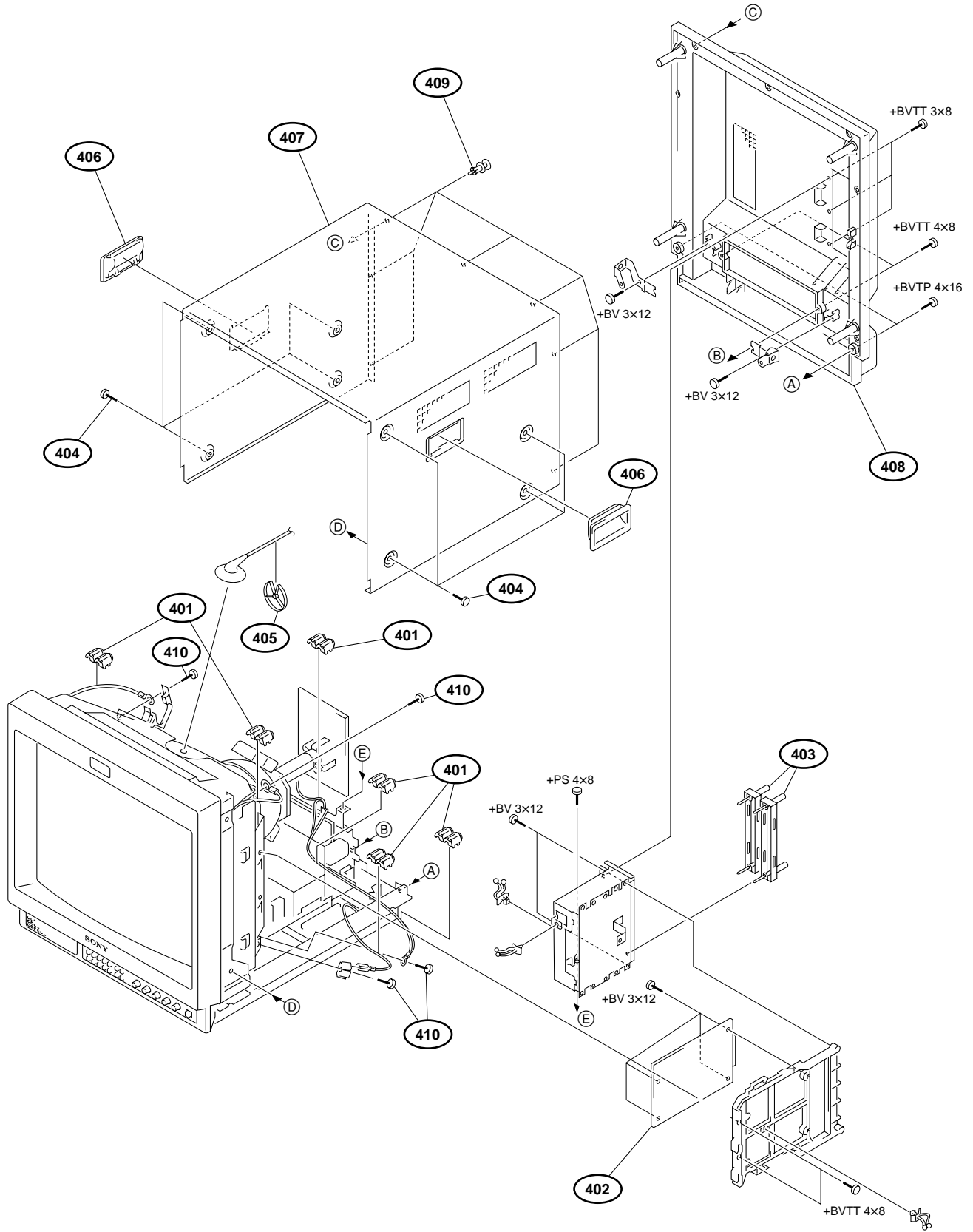
No.	Part No.	SP Description
201	8-330-030-79	s MOUNTED CIRCUIT BOARD, X
202	A-1052-921-A	s MOUNTED CIRCUIT BOARD, H
203	X-4041-850-1	s CABINET ASSY, BOTTOM
204	X-4041-105-1	s BEZEL ASSY
205	1-544-063-12	s SPEAKER (7X5CM)
206	4-044-606-01	s CUSHION
207	4-043-681-03	s COVER, AC SWITCH
208	4-043-682-02	o REFLECTOR, LED
209	4-043-683-01	s BUTTTON, POWER SWITCH
210	4-043-802-02	s KNOB, CONTROL
211	4-365-808-01	s SCREW (5), TAPPING (ST)
212	4-379-189-11	o CUSHION, SPEAKER
213	4-379-192-01	s SCREW, TAPPING, STEP (STEEL)
214	4-057-975-61	o LABEL, CONTROL
Screws/Washers		
	7-685-648-79	s SCREW, +BV 3X12 (EP-FE/ZNBK/CM2)
	7-682-948-01	s CREW +PSW 3X8

Picture Tube Section (14 Inch)



No.	Part No.	SP Description
301	A-1410-505-A	s MOUNTED CIRCUIT BOARD, C
302	X-2105-533-1	s PLATE ASSY, CORRECTION, TLH
303	△ 1-426-442-21	s COIL, DEMAGNETIZATION
304	△ 8-451-472-12	s DY Y14MGAT
305	1-452-032-00	s MAGNET, DISC
306	4-033-681-01	s HOLDER, LEAD
307	△ 8-738-363-05	s PICTURE TUBE
308	4-094-690-01	s PIECE A(90), CONV, CORRECT
309	4-051-736-21	s PIECE A(90), CONV, CORRECT
310	4-050-492-02	s SPACER, DY
311	4-389-025-01	s SCREW, TAPPING M4X8 W/WASHER (ST)
312	4-316-015-00	o HOLDER, WIRE

Top Cover Section (20 Inch)

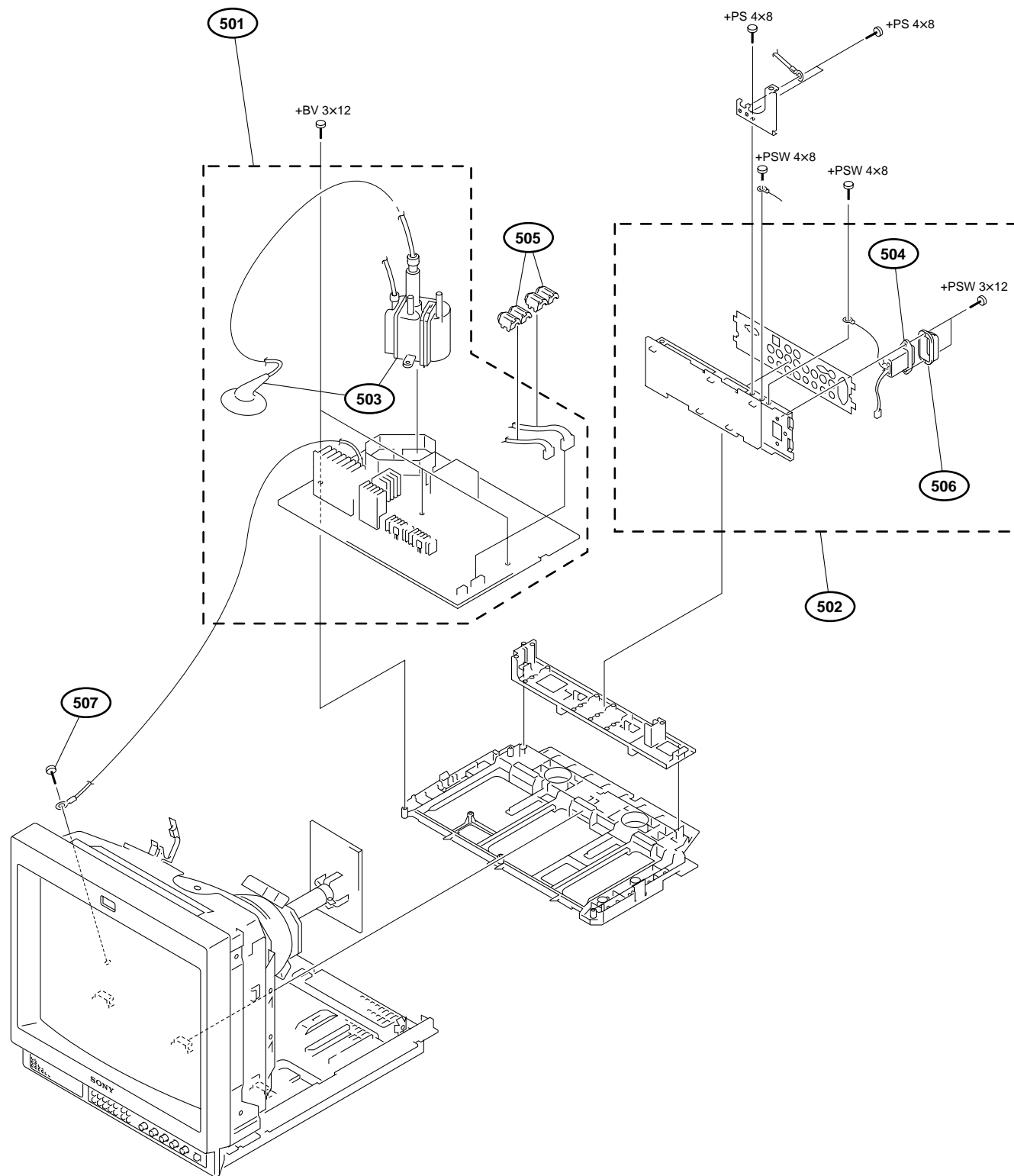


No.	Part No.	SP	Description
401	1-469-778-11	s	CLAMP, FERRITE
402	A-1303-018-A	s	MOUNTED CIRCUIT BOARD, B
403	X-4037-166-2	o	PANEL ASSY, BLANK
404	3-703-354-41	s	SCREW (OS), CASE, CLAW
405	3-704-372-01	o	HOLDER, HV CABLE
406	4-093-449-01	s	HANDLE
407	△ 4-092-259-12	s	COVER, TOP
408	△ 4-092-260-02	o	COVER, REAR
409	4-391-825-01	s	RIVET, NYLON
410	4-389-025-01	s	SCREW, TAPPING M4X8 W/WASHER (ST)

Screws/Washers

7-682-661-01	s	SCREW, +PS 4X8 (EP-FE/ZN/CM2)
7-685-648-79	s	SCREW, +BV 3X12 (EP-FE/ZNBK/CM2)
7-685-872-09	s	SCREW, +BVTT 3X8 (EP-FE/ZNBK/CM)
7-685-881-09	s	SCREW, +BVTT 4X8 (EP-FE/ZNBK/CM)
7-685-663-79	s	SCREW, +BVTP 4X16 (EP-FE/ZNBK/CM2)

G Board and Q Block Assembly (20 Inch)

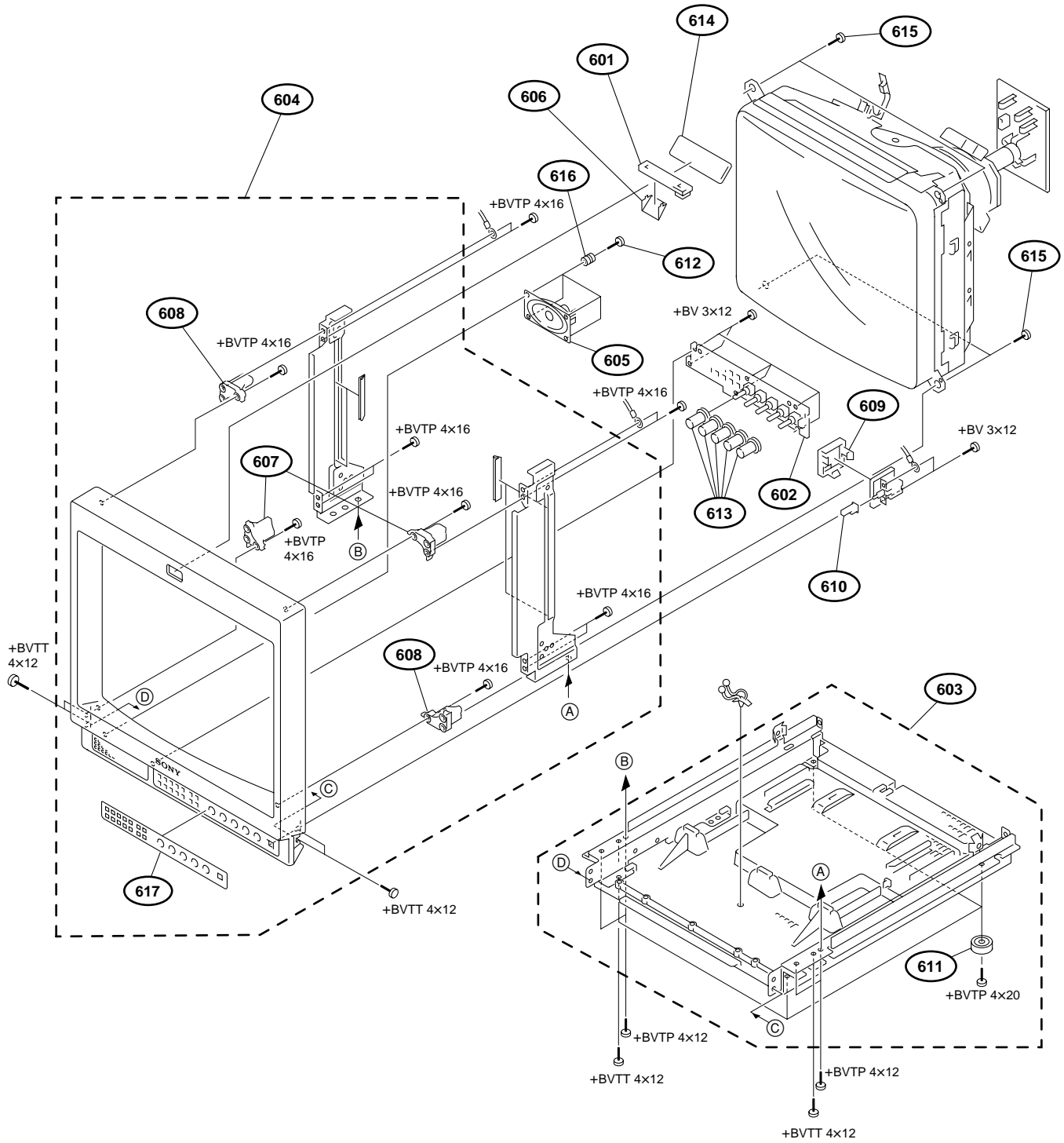


No.	Part No.	SP Description
501	A-1303-017-A	s MOUNTED CIRCUIT BOARD, G
502	8-330-030-82	s Q BLOCK ASSY
503	△ 1-453-446-11	s FBT ASSY (NX-4525/M3A4)
504	△ 1-251-382-11	s INLET, AC 3P (WITH NOISE FILTER)
505	1-469-241-11	s CORE, FERRITE (RFC-8 BK)
506	2-990-241-02	o HOLDER (A), PLUG
507	4-389-025-01	s SCREW, TAPPING M4X8 W/WASHER (ST)

Screws/Washers

7-682-961-01	s SCREW, +PSW 4X8
7-682-950-09	s SCREW, +PSW 3X12 (EP-FE/ZNBK/CM2)
7-685-648-79	s SCREW, +BV 3X12 (EP-FE/ZNBK/CM2)
7-682-661-01	s SCREW, +PS 4X8 (EP-FE/ZN/CM2)

Chassis and Bezel Section (20 Inch)

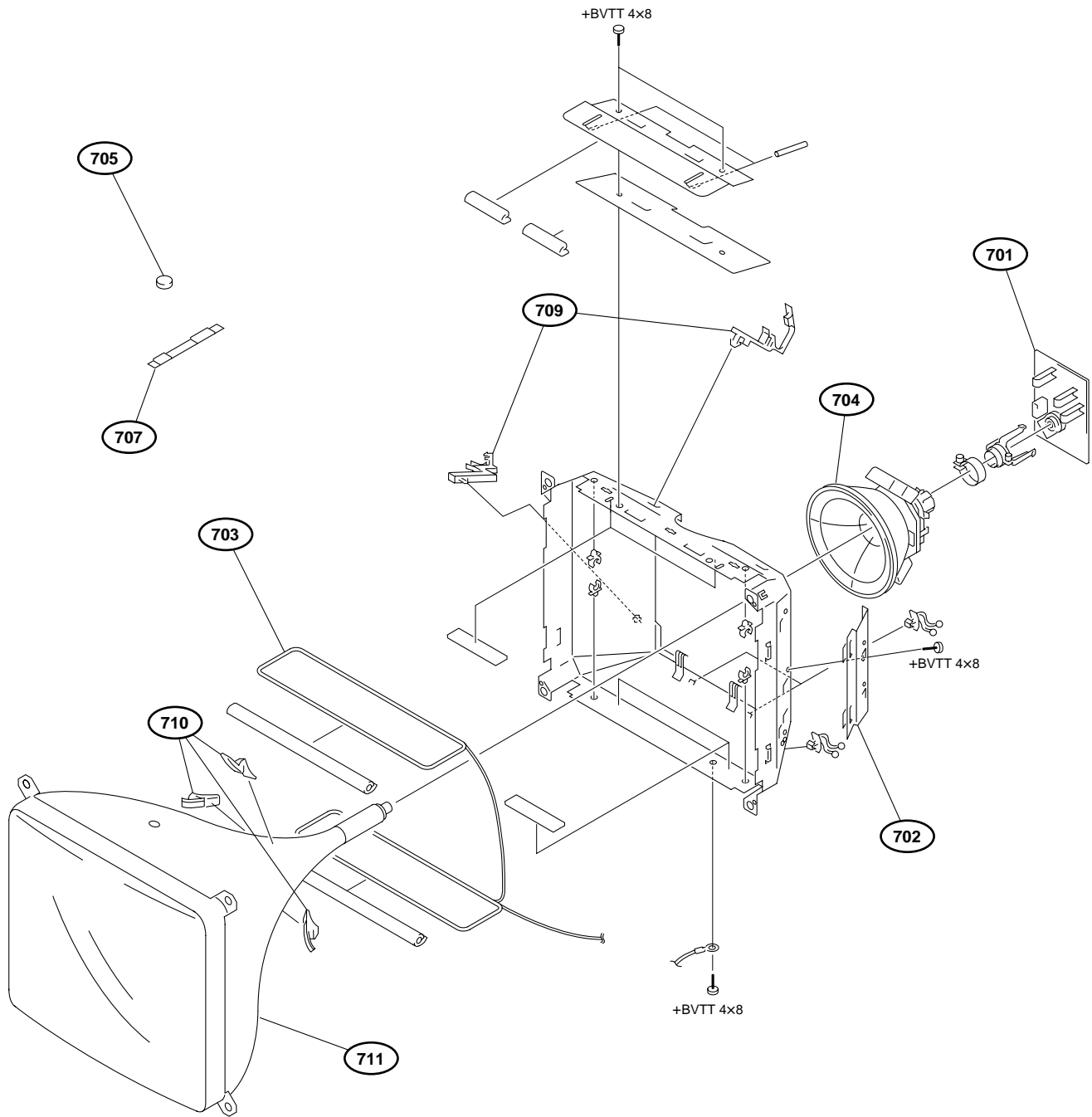


No.	Part No.	SP Description
601	8-330-030-79	s MOUNTED CIRCUIT BOARD, X
602	A-1052-921-A	s MOUNTED CIRCUIT BOARD, H
603	X-4041-851-1	o CABINET ASSY, BOTTOM
604	X-4041-106-1	s BEZEL ASSY
605	1-544-063-12	s SPEAKER (7X5CM)
606	4-043-671-02	o REFLECTOR, LED
607	4-043-672-01	o BRACKET (A), CRT
608	4-043-673-01	o BRACKET (B), CRT
609	4-043-681-03	s COVER, AC SWITCH
610	4-043-683-01	s BUTTON, POWER SWITCH
611	4-901-947-01	s FOOT (PLA)
612	4-379-192-01	s SCREW, TAPPING, STEP (STEEL)
613	4-043-802-02	s KNOB, CONTROL
614	4-044-606-01	s CUSHION
615	4-365-808-01	s SCREW (5), TAPPING (ST)
616	4-379-189-11	o CUSHION, SPEAKER
617	4-057-975-61	o LABEL, CONTROL

Screws/Washers

7-685-648-79	s SCREW, +BV 3X12
7-685-663-71	s SCREW, +BVTP 4X16
7-685-664-79	s SCREW, +BVTP 4X20 (EP-FE/ZNBK/CM2)
7-685-883-09	s SCREW, +BVTT 4X12 (EP-FE/ZNBK/CM) (BLACK)
7-685-611-14	s SCREW, +BVTP 4X12 (EP-FE/CU, NI, CR)

Picture Tube Section (20 Inch)



No.	Part No.	SP Description
701	A-1410-506-A	s MOUNTED CIRCUIT BOARD, C
702	X-4391-825-1	s HOOK ASSY, F
703	△ 1-426-505-11	s COIL, DEMAGNETIZATION
704	△ 1-451-349-13	s DEFLECTION YOKE (Y20FZA)
705	1-452-032-00	s MAGNET, DISC
707	4-051-736-42	s PIECE A(90), CONV, CORRECT
709	4-387-284-01	o HOLDER, LEAD
710	3-703-961-02	o SPACER, DY
711	△ 8-736-135-05	s PICTURE TUBE
	8-737-279-05	s PICTURE TUBE (AUS)
Screws/Washers		
	7-685-881-09	s SCREW, +BVTT 4X8(EP-FE/ZNBK/CM)

7-3. Electrical Parts List

B BOARD (FOR PVM-14)

Ref. No. or Q'ty	Part No.	SP Description
1pc	A-1303-016-A	s MOUNTED CIRCUIT BOARD, B
C101	1-126-935-11	s CAPACITOR,ELECT 470MF/16V
C102	1-126-947-11	s CAPACITOR, ELECT 47MF/35V
C103	1-126-947-11	s CAPACITOR, ELECT 47MF/35V
C104	1-126-947-11	s CAPACITOR, ELECT 47MF/35V
C105	1-162-924-11	s CAPACITOR,CERAMIC 56PF/50V CH
C109	1-107-826-11	s CAPACITOR,CHIP CERAMIC 0.1MF
C110	1-107-823-11	s CAPACITOR,CERAMIC 0.47MF/16V
C112	1-126-933-11	s CAPACITOR,ELECT 100MF/16V
C113	1-126-933-11	s CAPACITOR,ELECT 100MF/16V
C114	1-125-889-11	s CAPACITOR, C.CERAMIC 2.2MF
C117	1-162-970-11	s CAPACITOR CERAMIC 0.01MF/25V B
C118	1-164-227-11	s CAPACITOR,CERAMIC 0.022MF/25V
C119	1-162-970-11	s CAPACITOR CERAMIC 0.01MF/25V B
C120	1-162-970-11	s CAPACITOR CERAMIC 0.01MF/25V B
C121	1-126-933-11	s CAPACITOR,ELECT 100MF/16V
C122	1-125-837-91	s CAPACITOR,CHIP CERAMIC1MF/6.3V
C123	1-162-915-11	s CAPACITOR,CERAMIC 10PF/50V CH
C124	1-162-970-11	s CAPACITOR CERAMIC 0.01MF/25V B
C125	1-126-964-11	s CAPACITOR, ELECT 10MF/50V
C126	1-107-826-11	s CAPACITOR,CHIP CERAMIC 0.1MF
C127	1-162-970-11	s CAPACITOR CERAMIC 0.01MF/25V B
C128	1-126-964-11	s CAPACITOR, ELECT 10MF/50V
C129	1-126-964-11	s CAPACITOR, ELECT 10MF/50V
C130	1-107-714-11	s CAPACITOR, ELECT 10MF/50V(BP)
C131	1-107-826-11	s CAPACITOR,CHIP CERAMIC 0.1MF
C132	1-107-826-11	s CAPACITOR,CHIP CERAMIC 0.1MF
C133	1-162-970-11	s CAPACITOR CERAMIC 0.01MF/25V B
C134	1-162-970-11	s CAPACITOR CERAMIC 0.01MF/25V B
C135	1-126-947-11	s CAPACITOR, ELECT 47MF/35V
C136	1-126-947-11	s CAPACITOR, ELECT 47MF/35V
C137	1-162-970-11	s CAPACITOR CERAMIC 0.01MF/25V B
C138	1-107-826-11	s CAPACITOR,CHIP CERAMIC 0.1MF
C139	1-162-970-11	s CAPACITOR CERAMIC 0.01MF/25V B
C140	1-107-826-11	s CAPACITOR,CHIP CERAMIC 0.1MF
C141	1-107-826-11	s CAPACITOR,CHIP CERAMIC 0.1MF
C142	1-107-826-11	s CAPACITOR,CHIP CERAMIC 0.1MF
C143	1-126-963-11	s CAPACITOR, ELECT 4.7MF/50V
C144	1-162-970-11	s CAPACITOR CERAMIC 0.01MF/25V B
C145	1-107-826-11	s CAPACITOR,CHIP CERAMIC 0.1MF
C146	1-107-826-11	s CAPACITOR,CHIP CERAMIC 0.1MF
C147	1-107-826-11	s CAPACITOR,CHIP CERAMIC 0.1MF
C148	1-107-826-11	s CAPACITOR,CHIP CERAMIC 0.1MF
C149	1-107-826-11	s CAPACITOR,CHIP CERAMIC 0.1MF
C150	1-162-970-11	s CAPACITOR CERAMIC 0.01MF/25V B
C151	1-162-970-11	s CAPACITOR CERAMIC 0.01MF/25V B
C152	1-162-970-11	s CAPACITOR CERAMIC 0.01MF/25V B
C153	1-126-968-11	s CAPACITOR,ELECT 100MF/50V
C154	1-162-964-11	s CAPACITOR,CERAMIC 1000PF/50V B
C155	1-107-826-11	s CAPACITOR,CHIP CERAMIC 0.1MF
C156	1-126-968-11	s CAPACITOR,ELECT 100MF/50V
C157	1-162-970-11	s CAPACITOR CERAMIC 0.01MF/25V B
C159	1-107-826-11	s CAPACITOR,CHIP CERAMIC 0.1MF
C162	1-126-933-11	s CAPACITOR,ELECT 100MF/16V
C163	1-162-970-11	s CAPACITOR CERAMIC 0.01MF/25V B
C164	1-107-826-11	s CAPACITOR,CHIP CERAMIC 0.1MF
C165	1-107-826-11	s CAPACITOR,CHIP CERAMIC 0.1MF
C166	1-107-826-11	s CAPACITOR,CHIP CERAMIC 0.1MF

(B BOARD (FOR PVM-14))

Ref. No. or Q'ty	Part No.	SP Description
C169	1-162-970-11	s CAPACITOR CERAMIC 0.01MF/25V B
C171	1-125-889-11	s CAPACITOR, C.CERAMIC 2.2MF
C172	1-162-970-11	s CAPACITOR CERAMIC 0.01MF/25V B
C173	1-107-826-11	s CAPACITOR,CHIP CERAMIC 0.1MF
C174	1-162-970-11	s CAPACITOR CERAMIC 0.01MF/25V B
C175	1-107-826-11	s CAPACITOR,CHIP CERAMIC 0.1MF
C176	1-126-933-11	s CAPACITOR,ELECT 100MF/16V
C177	1-126-964-11	s CAPACITOR, ELECT 10MF/50V
C178	1-162-970-11	s CAPACITOR CERAMIC 0.01MF/25V B
C179	1-162-970-11	s CAPACITOR CERAMIC 0.01MF/25V B
C180	1-162-970-11	s CAPACITOR CERAMIC 0.01MF/25V B
C181	1-162-970-11	s CAPACITOR CERAMIC 0.01MF/25V B
C182	1-126-964-11	s CAPACITOR, ELECT 10MF/50V
C183	1-126-964-11	s CAPACITOR, ELECT 10MF/50V
C184	1-126-964-11	s CAPACITOR, ELECT 10MF/50V
C185	1-126-964-11	s CAPACITOR, ELECT 10MF/50V
C186	1-126-964-11	s CAPACITOR, ELECT 10MF/50V
C187	1-126-964-11	s CAPACITOR, ELECT 10MF/50V
C188	1-126-964-11	s CAPACITOR, ELECT 10MF/50V
C189	1-126-964-11	s CAPACITOR, ELECT 10MF/50V
C190	1-126-964-11	s CAPACITOR, ELECT 10MF/50V
C191	1-126-964-11	s CAPACITOR, ELECT 10MF/50V
C193	1-126-935-11	s CAPACITOR,ELECT 470MF/16V
C194	1-162-970-11	s CAPACITOR CERAMIC 0.01MF/25V B
C195	1-107-826-11	s CAPACITOR,CHIP CERAMIC 0.1MF
C196	1-162-970-11	s CAPACITOR CERAMIC 0.01MF/25V B
C197	1-107-826-11	s CAPACITOR,CHIP CERAMIC 0.1MF
C198	1-165-176-11	s CAPACITOR,CERAMIC 47000PF/16V
C201	1-164-230-11	s CAPACITOR,CERAMIC 220PF/50V
C202	1-107-826-11	s CAPACITOR,CHIP CERAMIC 0.1MF
C203	1-107-826-11	s CAPACITOR,CHIP CERAMIC 0.1MF
C204	1-162-926-11	s CAPACITOR,CERAMIC 82PF/50V CH
C205	1-162-926-11	s CAPACITOR,CERAMIC 82PF/50V CH
C206	1-162-926-11	s CAPACITOR,CERAMIC 82PF/50V CH
C231	1-126-935-11	s CAPACITOR,ELECT 470MF/16V
C232	1-162-927-11	s CAPACITOR,CERAMIC 100PF/50V CH
C233	1-162-970-11	s CAPACITOR CERAMIC 0.01MF/25V B
C234	1-162-922-11	s CAPACITOR,CERAMIC 39PF/50V 1608
C235	1-165-176-11	s CAPACITOR,CERAMIC 47000PF/16V
C236	1-165-176-11	s CAPACITOR,CERAMIC 47000PF/16V
C237	1-165-176-11	s CAPACITOR,CERAMIC 47000PF/16V
C238	1-162-922-11	s CAPACITOR,CERAMIC 39PF/50V CH
C239	1-164-160-11	s CAPACITOR,CERAMIC 20PF/50V CH
C240	1-165-176-11	s CAPACITOR,CERAMIC 47000PF/16V
C241	1-165-176-11	s CAPACITOR,CERAMIC 47000PF/16V
C242	1-165-176-11	s CAPACITOR,CERAMIC 47000PF/16V
C243	1-162-927-11	s CAPACITOR,CERAMIC 100PF/50V CH
C244	1-126-947-11	s CAPACITOR, ELECT 47MF/35V
C245	1-127-715-11	s CAPACITOR,CERAMIC 0.22MF B1608
C246	1-127-573-11	s CAPACITOR,CERAMIC 1MFB(2012)
C247	1-107-826-11	s CAPACITOR,CHIP CERAMIC 0.1MF
C248	1-107-826-11	s CAPACITOR,CHIP CERAMIC 0.1MF
C249	1-162-970-11	s CAPACITOR CERAMIC 0.01MF/25V B
C250	1-162-970-11	s CAPACITOR CERAMIC 0.01MF/25V B
C251	1-127-573-11	s CAPACITOR,CERAMIC 1MFB(2012)
C252	1-107-826-11	s CAPACITOR,CHIP CERAMIC 0.1MF
C253	1-107-826-11	s CAPACITOR,CHIP CERAMIC 0.1MF
C254	1-107-826-11	s CAPACITOR,CHIP CERAMIC 0.1MF
C255	1-107-826-11	s CAPACITOR,CHIP CERAMIC 0.1MF

(B BOARD (FOR PVM-14))

Ref. No. or Q'ty	Part No.	SP	Description
C256	1-107-826-11	s	CAPACITOR,CHIP CERAMIC 0.1MF
C257	1-127-573-11	s	CAPACITOR,CERAMIC 1MF(B) (2012)
C258	1-107-826-11	s	CAPACITOR,CHIP CERAMIC 0.1MF
C259	1-107-826-11	s	CAPACITOR,CHIP CERAMIC 0.1MF
C260	1-107-826-11	s	CAPACITOR,CHIP CERAMIC 0.1MF
C261	1-164-005-11	s	CAPACITOR,CERAMIC 0.47MF/25V
C262	1-126-947-11	s	CAPACITOR, ELECT 47MF/35V
C263	1-164-005-11	s	CAPACITOR,CERAMIC 0.47MF/25V
C264	1-162-970-11	s	CAPACITOR CERAMIC 0.01MF/25V B
C265	1-107-826-11	s	CAPACITOR,CHIP CERAMIC 0.1MF
C266	1-162-970-11	s	CAPACITOR CERAMIC 0.01MF/25V B
C267	1-162-970-11	s	CAPACITOR CERAMIC 0.01MF/25V B
C268	1-126-935-11	s	CAPACITOR,ELECT 470MF/16V
C269	1-126-935-11	s	CAPACITOR,ELECT 470MF/16V
C270	1-162-970-11	s	CAPACITOR CERAMIC 0.01MF/25V B
C271	1-126-935-11	s	CAPACITOR,ELECT 470MF/16V
C273	1-162-970-11	s	CAPACITOR CERAMIC 0.01MF/25V B
C274	1-162-970-11	s	CAPACITOR CERAMIC 0.01MF/25V B
C275	1-162-970-11	s	CAPACITOR CERAMIC 0.01MF/25V B
C276	1-162-965-11	s	CAPACITOR,CERAMIC 1500PF/50V B
C277	1-162-965-11	s	CAPACITOR,CERAMIC 1500PF/50V B
C278	1-162-965-11	s	CAPACITOR,CERAMIC 1500PF/50V B
C279	1-162-927-11	s	CAPACITOR,CERAMIC 100PF/50V CH
C280	1-162-927-11	s	CAPACITOR,CERAMIC 100PF/50V CH
C281	1-162-927-11	s	CAPACITOR,CERAMIC 100PF/50V CH
C282	1-115-416-11	s	CAPACITOR,CERAMIC 1000PF/25V
C283	1-115-416-11	s	CAPACITOR,CERAMIC 1000PF/25V
C284	1-115-416-11	s	CAPACITOR,CERAMIC 1000PF/25V
C285	1-164-388-91	s	CAPACITOR,CERAMIC 270PF/50V CH
C286	1-164-677-11	s	CAPACITOR,CERAMIC 0.033MF/16V
C287	1-162-970-11	s	CAPACITOR CERAMIC 0.01MF/25V B
C301	1-126-960-11	s	CAPACITOR,ELECT 1MF/50V
C350	1-162-970-11	s	CAPACITOR CERAMIC 0.01MF/25V B
C351	1-162-970-11	s	CAPACITOR CERAMIC 0.01MF/25V B
C352	1-162-970-11	s	CAPACITOR CERAMIC 0.01MF/25V B
C353	1-162-970-11	s	CAPACITOR CERAMIC 0.01MF/25V B
C354	1-162-970-11	s	CAPACITOR CERAMIC 0.01MF/25V B
C355	1-162-970-11	s	CAPACITOR CERAMIC 0.01MF/25V B
C356	1-162-970-11	s	CAPACITOR CERAMIC 0.01MF/25V B
C357	1-164-739-11	s	CAPACITOR CERAMIC 560PF (1608)
C358	1-162-970-11	s	CAPACITOR CERAMIC 0.01MF/25V B
C368	1-115-416-11	s	CAPACITOR,CERAMIC 1000PF/25V
C369	1-162-970-11	s	CAPACITOR CERAMIC 0.01MF/25V B
C370	1-162-927-11	s	CAPACITOR,CERAMIC 100PF/50V CH
C371	1-136-159-00	s	CAPACITOR,FILM 0.033MF/50V
C372	1-126-933-11	s	CAPACITOR,ELECT 100MF/16V
C373	1-162-923-11	s	CAPACITOR,CERAMIC 47PF/50V CH
C374	1-162-970-11	s	CAPACITOR CERAMIC 0.01MF/25V B
C377	1-162-970-11	s	CAPACITOR CERAMIC 0.01MF/25V B
C403	1-107-826-11	s	CAPACITOR,CHIP CERAMIC 0.1MF
C404	1-107-826-11	s	CAPACITOR,CHIP CERAMIC 0.1MF
C450	1-162-927-11	s	CAPACITOR,CERAMIC 100PF/50V CH
C451	1-162-927-11	s	CAPACITOR,CERAMIC 100PF/50V CH
C452	1-126-947-11	s	CAPACITOR, ELECT 47MF/35V
C453	1-162-964-11	s	CAPACITOR,CERAMIC 1000PF/50V B
C454	1-162-964-11	s	CAPACITOR,CERAMIC 1000PF/50V B
C455	1-162-964-11	s	CAPACITOR,CERAMIC 1000PF/50V B
C456	1-162-964-11	s	CAPACITOR,CERAMIC 1000PF/50V B
C457	1-162-970-11	s	CAPACITOR CERAMIC 0.01MF/25V B
C458	1-162-970-11	s	CAPACITOR CERAMIC 0.01MF/25V B

(B BOARD (FOR PVM-14))

Ref. No. or Q'ty	Part No.	SP	Description
C459	1-162-970-11	s	CAPACITOR CERAMIC 0.01MF/25V B
C460	1-162-970-11	s	CAPACITOR CERAMIC 0.01MF/25V B
C461	1-162-970-11	s	CAPACITOR CERAMIC 0.01MF/25V B
C462	1-162-916-11	s	CAPACITOR,CERAMIC 12PF/50V CH
C463	1-162-916-11	s	CAPACITOR,CERAMIC 12PF/50V CH
C464	1-162-970-11	s	CAPACITOR CERAMIC 0.01MF/25V B
C465	1-125-837-91	s	CAPACITOR,CHIP CERAMIC1MF/6.3V
C466	1-162-964-11	s	CAPACITOR,CERAMIC 1000PF/50V B
C467	1-107-826-11	s	CAPACITOR,CHIP CERAMIC 0.1MF
C468	1-107-826-11	s	CAPACITOR,CHIP CERAMIC 0.1MF
C469	1-162-970-11	s	CAPACITOR CERAMIC 0.01MF/25V B
C470	1-126-947-11	s	CAPACITOR, ELECT 47MF/35V
C471	1-126-964-11	s	CAPACITOR, ELECT 10MF/50V
C472	1-107-826-11	s	CAPACITOR,CHIP CERAMIC 0.1MF
C2301	1-107-826-11	s	CAPACITOR,CHIP CERAMIC 0.1MF
C2303	1-107-909-11	s	CAPACITOR,ELECT 47MF/50V
C2304	1-162-970-11	s	CAPACITOR CERAMIC 0.01MF/25V B
C2308	1-162-970-11	s	CAPACITOR CERAMIC 0.01MF/25V B
C2309	1-107-909-11	s	CAPACITOR,ELECT 47MF/50V
C7201	1-162-927-11	s	CAPACITOR,CERAMIC 100PF/50V CH
C7202	1-164-218-11	s	CAPACITOR,CERAMIC 180PF/50V CH
C7203	1-164-730-11	s	CAPACITOR,CERAMIC 1200RF (M-)
C7204	1-107-826-11	s	CAPACITOR,CHIP CERAMIC 0.1MF
C7205	1-162-968-11	s	CAPACITOR,CERAMIC 4700PF/50V B
C7206	1-162-927-11	s	CAPACITOR,CERAMIC 100PF/50V CH
C7207	1-125-837-91	s	CAPACITOR,CHIP CERAMIC1MF/6.3V
C7208	1-164-730-11	s	CAPACITOR,CERAMIC 1200RF (M-)
C7209	1-162-964-11	s	CAPACITOR,CERAMIC 1000PF/50V B
C7210	1-125-837-91	s	CAPACITOR,CHIP CERAMIC1MF/6.3V
C7211	1-126-935-11	s	CAPACITOR,ELECT 470MF/16V
C7212	1-107-826-11	s	CAPACITOR,CHIP CERAMIC 0.1MF
CN102	1-564-512-11	o	PLUG,CONNECTOR (9P)
CN103	1-564-512-11	o	PLUG,CONNECTOR (9P)
CN104	1-564-511-11	o	PLUG,CONNECTOR (8P)
CN105	1-564-511-11	o	PLUG,CONNECTOR (8P)
CN106	1-564-508-11	o	PLUG,CONNECTOR (5P)
CN230	1-764-333-11	o	PIN, CONNECTOR (10P)(V TYPE)
CN231	1-564-595-11	o	PLUG,CONNECTOR (14P)
CN450	1-564-711-11	o	PIN,CONNECTOR (9P)
CN451	1-564-522-11	o	PLUG,CONNECTOR (7P)(L-TYPE)
CN452	1-564-715-11	s	PIN, CONNECTOR (13P)
CN453	1-564-520-11	o	PLUG,CONNECTOR (5P)(L-TYPE)
CN454	1-564-705-11	o	PIN,CONNECTOR (3P)
D201	8-719-073-01	s	DIODE MA111-(K8).S0
D202	8-719-073-01	s	DIODE MA111-(K8).S0
D230	8-719-158-40	s	DIODE RD10SB1 (ZENER)
D231	8-719-073-01	s	DIODE MA111-(K8).S0
D232	8-719-073-01	s	DIODE MA111-(K8).S0
D233	8-719-073-01	s	DIODE MA111-(K8).S0
D234	8-719-073-01	s	DIODE MA111-(K8).S0
D235	8-719-073-01	s	DIODE MA111-(K8).S0
D236	8-719-037-00	s	DIODE RD6.2SB2-T1
D237	8-719-083-57	s	DIODE UDZSTE-173.6B
D238	8-719-083-57	s	DIODE UDZSTE-173.6B
D239	8-719-083-57	s	DIODE UDZSTE-173.6B
D301	8-719-073-01	s	DIODE MA111-(K8).S0
D401	8-719-801-78	s	DIODE 1SS184
D450	8-719-159-13	s	DIODE RD5.1SB3-T2 (5MA)

(B BOARD (FOR PVM-14))

Ref. No. or Q'ty	Part No.	SP Description	
D451	8-719-159-13	s DIODE RD5.1SB3-T2	(5MA)
D452	8-719-159-13	s DIODE RD5.1SB3-T2	(5MA)
D453	8-719-159-13	s DIODE RD5.1SB3-T2	(5MA)
D454	8-719-159-13	s DIODE RD5.1SB3-T2	(5MA)
D455	8-719-159-13	s DIODE RD5.1SB3-T2	(5MA)
D456	8-719-159-13	s DIODE RD5.1SB3-T2	(5MA)
D457	8-719-159-13	s DIODE RD5.1SB3-T2	(5MA)
D458	8-719-159-13	s DIODE RD5.1SB3-T2	(5MA)
D459	8-719-159-13	s DIODE RD5.1SB3-T2	(5MA)
D460	8-719-159-13	s DIODE RD5.1SB3-T2	(5MA)
D461	8-719-159-13	s DIODE RD5.1SB3-T2	(5MA)
D462	8-719-159-13	s DIODE RD5.1SB3-T2	(5MA)
D463	8-719-159-13	s DIODE RD5.1SB3-T2	(5MA)
D464	8-719-159-13	s DIODE RD5.1SB3-T2	(5MA)
D465	8-719-159-13	s DIODE RD5.1SB3-T2	(5MA)
D466	8-719-037-23	s DIODE RD12SB1-T1	
FL101	1-239-183-11	s FILTER,EMI	
FL102	1-239-183-11	s FILTER,EMI	
FL103	1-239-183-11	s FILTER,EMI	
FL104	1-239-899-21	s FILTER, CHIP EMI	
FL105	1-239-899-21	s FILTER, CHIP EMI	
FL106	1-239-899-21	s FILTER, CHIP EMI	
FL107	1-239-397-11	s FILTER, LOW PASS (8MHZ)	
FL108	1-239-397-11	s FILTER, LOW PASS (8MHZ)	
FL109	1-239-397-11	s FILTER, LOW PASS (8MHZ)	
FL110	1-236-071-11	s EMI FILTER	
FL111	1-236-071-11	s EMI FILTER	
FL112	1-236-071-11	s EMI FILTER	
IC101	8-759-671-94	s IC MC74HC4053AFEL	
IC102	8-759-671-94	s IC MC74HC4053AFEL	
IC104	8-752-099-05	s IC CXA2163AQ-T6	
IC105	8-759-648-48	s IC TC7W34FU(TL12R)	
IC106	8-759-710-86	s IC NJM2233BM	
IC107	8-759-710-86	s IC NJM2233BM	
IC109	8-759-367-62	s IC MC74HC157AFEL	
IC111	8-759-436-89	s IC MC141627FT	
IC112	8-759-446-66	s IC MM1113XFBE	
IC113	8-759-446-66	s IC MM1113XFBE	
IC114	8-759-446-66	s IC MM1113XFBE	
IC115	8-759-988-13	s IC LM393PS	
IC231	8-752-067-05	s IC CXA1739S	
IC232	8-759-671-94	s IC MC74HC4053AFEL	
IC233	8-759-671-94	s IC MC74HC4053AFEL	
IC301	8-759-988-13	s IC LM393PS	
IC350	8-759-482-47	s IC M62399FP (TE2)	
IC351	8-759-482-47	s IC M62399FP (TE2)	
IC352	8-759-567-08	s IC MB88141APF-ER	
IC353	8-759-242-68	s IC TC7W32F	
IC355	8-759-239-34	s IC TC74HC4538AF	
IC356	8-759-038-15	s IC MC74HC4538AF	
IC357	8-759-058-64	s IC TC7S32FU-TE85R	
IC401	8-759-058-62	s IC TC7S08FU-TE85R	
IC450	8-759-575-72	s IC M24C08-WMN6T	
IC451	6-803-987-01	s IC UPD70F3033AYGC-M17-8EU	
IC452	6-802-580-01	s IC MB90096PF-G-248-BND-ER	
IC453	6-704-319-01	s IC S-80842CNNB-B83T2G	
IC2301	8-759-448-71	s IC BU4053BCFV-E2	
IC2302	8-759-448-71	s IC BU4053BCFV-E2	

(B BOARD (FOR PVM-14))

Ref. No. or Q'ty	Part No.	SP Description	
IC7201	8-759-038-15	s IC MC74HC4538AF	
IC7202	8-759-038-15	s IC MC74HC4538AF	
IC7203	8-759-234-13	s IC TC4S30F	
IC7204	8-759-209-69	s IC TC4S11F	
IC7205	8-759-514-57	s IC BA7046F	
JR102	1-216-864-11	s CONDUCTOR, CHIP (1608)	
L101	1-408-619-31	s MICRO INDUCTOR 220UH	
L102	1-408-599-31	s MICRO INDUCTOR 4.7UH	
L103	1-408-599-31	s MICRO INDUCTOR 4.7UH	
L104	1-408-599-31	s MICRO INDUCTOR 4.7UH	
L105	1-408-599-31	s MICRO INDUCTOR 4.7UH	
L106	1-408-599-31	s MICRO INDUCTOR 4.7UH	
L110	1-406-665-11	s COIL CHOKE 100UH	
L230	1-408-605-31	s MICRO INDUCTOR 15UH	
L450	1-414-119-11	s INDUCTOR (SMALL TYPE) 22UH	
L451	1-414-119-11	s INDUCTOR (SMALL TYPE) 22UH	
L452	1-414-119-11	s INDUCTOR (SMALL TYPE) 22UH	
L453	1-414-119-11	s INDUCTOR (SMALL TYPE) 22UH	
L454	1-408-615-31	s MICRO INDUCTOR 100UH	
Q101	1-801-806-11	s TRANSISTOR DTC144EKA	
Q102	1-801-806-11	s TRANSISTOR DTC144EKA	
Q103	1-801-806-11	s TRANSISTOR DTC144EKA	
Q104	8-729-026-49	s TRANSISTOR 2SA1037AK-T146-R	
Q105	8-729-026-49	s TRANSISTOR 2SA1037AK-T146-R	
Q106	8-729-026-49	s TRANSISTOR 2SA1037AK-T146-R	
Q107	8-729-026-49	s TRANSISTOR 2SA1037AK-T146-R	
Q108	8-729-026-49	s TRANSISTOR 2SA1037AK-T146-R	
Q109	8-729-026-49	s TRANSISTOR 2SA1037AK-T146-R	
Q110	8-729-026-49	s TRANSISTOR 2SA1037AK-T146-R	
Q111	8-729-026-49	s TRANSISTOR 2SA1037AK-T146-R	
Q112	8-729-026-49	s TRANSISTOR 2SA1037AK-T146-R	
Q113	8-729-120-28	s TRANSISTOR 2SC1623-L5L6	
Q114	8-729-120-28	s TRANSISTOR 2SC1623-L5L6	
Q115	8-729-120-28	s TRANSISTOR 2SC1623-L5L6	
Q116	8-729-120-28	s TRANSISTOR 2SC1623-L5L6	
Q117	1-801-806-11	s TRANSISTOR DTC144EKA	
Q118	8-729-026-49	s TRANSISTOR 2SA1037AK-T146-R	
Q119	8-729-026-49	s TRANSISTOR 2SA1037AK-T146-R	
Q120	8-729-026-49	s TRANSISTOR 2SA1037AK-T146-R	
Q121	8-729-026-49	s TRANSISTOR 2SA1037AK-T146-R	
Q122	8-729-026-49	s TRANSISTOR 2SA1037AK-T146-R	
Q123	8-729-026-49	s TRANSISTOR 2SA1037AK-T146-R	
Q124	8-729-026-49	s TRANSISTOR 2SA1037AK-T146-R	
Q125	8-729-026-49	s TRANSISTOR 2SA1037AK-T146-R	
Q126	8-729-026-49	s TRANSISTOR 2SA1037AK-T146-R	
Q130	1-801-806-11	s TRANSISTOR DTC144EKA	
Q131	8-729-026-49	s TRANSISTOR 2SA1037AK-T146-R	
Q132	8-729-026-49	s TRANSISTOR 2SA1037AK-T146-R	
Q233	1-801-806-11	s TRANSISTOR DTC144EKA	
Q234	1-801-806-11	s TRANSISTOR DTC144EKA	
Q235	8-729-120-28	s TRANSISTOR 2SC1623-L5L6	
Q236	8-729-026-49	s TRANSISTOR 2SA1037AK-T146-R	
Q237	8-729-026-49	s TRANSISTOR 2SA1037AK-T146-R	
Q238	8-729-026-49	s TRANSISTOR 2SA1037AK-T146-R	
Q239	8-729-120-28	s TRANSISTOR 2SC1623-L5L6	
Q240	8-729-026-49	s TRANSISTOR 2SA1037AK-T146-R	
Q241	8-729-120-28	s TRANSISTOR 2SC1623-L5L6	
Q242	1-801-806-11	s TRANSISTOR DTC144EKA	
Q243	8-729-120-28	s TRANSISTOR 2SC1623-L5L6	

(B BOARD (FOR PVM-14))

Ref. No. or Q'ty	Part No.	SP	Description
Q244	8-729-120-28	s	TRANSISTOR 2SC1623-L5L6
Q245	8-729-120-28	s	TRANSISTOR 2SC1623-L5L6
Q246	8-729-026-49	s	TRANSISTOR 2SA1037AK-T146-R
Q247	8-729-026-49	s	TRANSISTOR 2SA1037AK-T146-R
Q248	8-729-026-49	s	TRANSISTOR 2SA1037AK-T146-R
Q249	8-729-120-28	s	TRANSISTOR 2SC1623-L5L6
Q250	8-729-120-28	s	TRANSISTOR 2SC1623-L5L6
Q251	8-729-120-28	s	TRANSISTOR 2SC1623-L5L6
Q252	8-729-026-49	s	TRANSISTOR 2SA1037AK-T146-R
Q253	8-729-026-49	s	TRANSISTOR 2SA1037AK-T146-R
Q254	8-729-026-49	s	TRANSISTOR 2SA1037AK-T146-R
Q255	8-729-120-28	s	TRANSISTOR 2SC1623-L5L6
Q256	8-729-120-28	s	TRANSISTOR 2SC1623-L5L6
Q257	8-729-120-28	s	TRANSISTOR 2SC1623-L5L6
Q258	8-729-120-28	s	TRANSISTOR 2SC1623-L5L6
Q259	8-729-120-28	s	TRANSISTOR 2SC1623-L5L6
Q260	8-729-120-28	s	TRANSISTOR 2SC1623-L5L6
Q261	8-729-026-49	s	TRANSISTOR 2SA1037AK-T146-R
Q262	8-729-026-49	s	TRANSISTOR 2SA1037AK-T146-R
Q263	8-729-026-49	s	TRANSISTOR 2SA1037AK-T146-R
Q450	1-801-806-11	s	TRANSISTOR DTC144EKA
Q451	1-801-806-11	s	TRANSISTOR DTC144EKA
Q452	1-801-806-11	s	TRANSISTOR DTC144EKA
Q453	1-801-806-11	s	TRANSISTOR DTC144EKA
Q454	1-801-806-11	s	TRANSISTOR DTC144EKA
Q455	1-801-806-11	s	TRANSISTOR DTC144EKA
Q456	1-801-806-11	s	TRANSISTOR DTC144EKA
Q457	1-801-806-11	s	TRANSISTOR DTC144EKA
Q458	1-801-806-11	s	TRANSISTOR DTC144EKA
Q459	1-801-806-11	s	TRANSISTOR DTC144EKA
Q460	8-729-027-38	s	TRANSISTOR DTA144EKA-T146
Q461	1-801-806-11	s	TRANSISTOR DTC144EKA
Q462	1-801-806-11	s	TRANSISTOR DTC144EKA
Q463	1-801-806-11	s	TRANSISTOR DTC144EKA
Q501	8-729-026-49	s	TRANSISTOR 2SA1037AK-T146-R
Q502	8-729-026-49	s	TRANSISTOR 2SA1037AK-T146-R
Q503	8-729-026-49	s	TRANSISTOR 2SA1037AK-T146-R
Q7201	1-801-806-11	s	TRANSISTOR DTC144EKA
R100	1-216-864-11	s	CONDUCTOR, CHIP (1608)
R101	1-216-809-11	s	RESISTOR,CHIP 100 1/10W 1608
R102	1-216-809-11	s	RESISTOR,CHIP 100 1/10W 1608
R103	1-216-809-11	s	RESISTOR,CHIP 100 1/10W 1608
R104	1-216-809-11	s	RESISTOR,CHIP 100 1/10W 1608
R105	1-216-809-11	s	RESISTOR,CHIP 100 1/10W 1608
R106	1-216-809-11	s	RESISTOR,CHIP 100 1/10W 1608
R107	1-216-821-11	s	RESISTOR,CHIP 1.0K 1/10W(1608)
R108	1-216-845-11	s	RESISTOR,CHIP 100K 1/10W(1608)
R109	1-216-845-11	s	RESISTOR,CHIP 100K 1/10W(1608)
R113	1-218-881-11	s	RESISTOR, CHIP 27K 1/10W(1608)
R114	1-216-828-11	s	RESISTOR, CHIP 3.9K 1/10W 1608
R115	1-216-821-11	s	RESISTOR,CHIP 1.0K 1/10W(1608)
R116	1-216-855-11	s	RESISTOR, CHIP 680K 1/10W 1608
R117	1-216-805-11	s	RESISTOR,CHIP 47 1/10W 1608
R118	1-216-809-11	s	RESISTOR,CHIP 100 1/10W 1608
R119	1-216-805-11	s	RESISTOR,CHIP 47 1/10W 1608
R120	1-216-809-11	s	RESISTOR,CHIP 100 1/10W 1608
R121	1-216-821-11	s	RESISTOR,CHIP 1.0K 1/10W(1608)
R122	1-216-821-11	s	RESISTOR,CHIP 1.0K 1/10W(1608)

(B BOARD (FOR PVM-14))

Ref. No. or Q'ty	Part No.	SP	Description
R123	1-216-821-11	s	RESISTOR,CHIP 1.0K 1/10W(1608)
R124	1-216-821-11	s	RESISTOR,CHIP 1.0K 1/10W(1608)
R125	1-216-797-11	s	RESISTOR,CHIP 10 1/10W 1608
R126	1-216-825-11	s	RESISTOR,CHIP 2.2K 1/10W 1608
R127	1-216-797-11	s	RESISTOR,CHIP 10 1/10W 1608
R128	1-216-811-11	s	RESISTOR, CHIP 150 1/16W(1608)
R129	1-216-811-11	s	RESISTOR, CHIP 150 1/16W(1608)
R130	1-216-811-11	s	RESISTOR, CHIP 150 1/16W(1608)
R131	1-216-819-11	s	RESISTOR,CHIP 680 1/10W 1608
R132	1-216-819-11	s	RESISTOR,CHIP 680 1/10W 1608
R133	1-216-819-11	s	RESISTOR,CHIP 680 1/10W 1608
R134	1-216-845-11	s	RESISTOR,CHIP 100K 1/10W(1608)
R135	1-216-830-11	s	RESISTOR,CHIP 5.6K 1/10W 1608
R136	1-216-830-11	s	RESISTOR,CHIP 5.6K 1/10W 1608
R137	1-216-830-11	s	RESISTOR,CHIP 5.6K 1/10W 1608
R138	1-216-821-11	s	RESISTOR,CHIP 1.0K 1/10W(1608)
R139	1-216-845-11	s	RESISTOR,CHIP 100K 1/10W(1608)
R140	1-216-845-11	s	RESISTOR,CHIP 100K 1/10W(1608)
R141	1-216-833-11	s	RESISTOR,CHIP 10K 1/10W (1608)
R142	1-216-845-11	s	RESISTOR,CHIP 100K 1/10W(1608)
R143	1-216-809-11	s	RESISTOR,CHIP 100 1/10W 1608
R144	1-216-833-11	s	RESISTOR,CHIP 10K 1/10W (1608)
R146	1-216-805-11	s	RESISTOR,CHIP 47 1/10W 1608
R147	1-216-845-11	s	RESISTOR,CHIP 100K 1/10W(1608)
R148	1-216-820-11	s	RESISTOR, CHIP 820 1/10W 1608
R149	1-216-820-11	s	RESISTOR, CHIP 820 1/10W 1608
R150	1-216-820-11	s	RESISTOR, CHIP 820 1/10W 1608
R151	1-216-821-11	s	RESISTOR,CHIP 1.0K 1/10W(1608)
R152	1-216-845-11	s	RESISTOR,CHIP 100K 1/10W(1608)
R153	1-216-821-11	s	RESISTOR,CHIP 1.0K 1/10W(1608)
R154	1-218-835-11	s	RESISTOR,CHIP 330 1/10W (1608)
R155	1-211-986-11	s	RESISTOR,CHIP 51 1/10W (1608)
R156	1-216-864-11	s	CONDUCTOR, CHIP (1608)
R157	1-216-813-11	s	RESISTOR, CHIP 220 1/10W 1608
R159	1-216-821-11	s	RESISTOR,CHIP 1.0K 1/10W(1608)
R160	1-218-886-11	s	RESISTOR,CHIP 43K 1/10W (1608)
R161	1-216-821-11	s	RESISTOR,CHIP 1.0K 1/10W(1608)
R162	1-216-825-11	s	RESISTOR,CHIP 2.2K 1/10W 1608
R163	1-216-821-11	s	RESISTOR,CHIP 1.0K 1/10W(1608)
R164	1-216-825-11	s	RESISTOR,CHIP 2.2K 1/10W 1608
R165	1-216-855-11	s	RESISTOR, CHIP 680K 1/10W 1608
R166	1-216-821-11	s	RESISTOR,CHIP 1.0K 1/10W(1608)
R167	1-216-841-11	s	RESISTOR, CHIP 47K 1/10W 1608
R168	1-211-989-11	s	RESISTOR,CHIP 68 1/10W (1608)
R169	1-216-830-11	s	RESISTOR,CHIP 5.6K 1/10W 1608
R171	1-216-830-11	s	RESISTOR,CHIP 5.6K 1/10W 1608
R172	1-216-821-11	s	RESISTOR,CHIP 1.0K 1/10W(1608)
R173	1-216-818-11	s	RESISTOR, CHIP 560 1/10W 1608
R177	1-216-813-11	s	RESISTOR, CHIP 220 1/10W 1608
R178	1-216-833-11	s	RESISTOR,CHIP 10K 1/10W (1608)
R179	1-216-821-11	s	RESISTOR,CHIP 1.0K 1/10W(1608)
R180	1-216-845-11	s	RESISTOR,CHIP 100K 1/10W(1608)
R181	1-216-818-11	s	RESISTOR, CHIP 560 1/10W 1608
R182	1-216-818-11	s	RESISTOR, CHIP 560 1/10W 1608
R184	1-216-830-11	s	RESISTOR,CHIP 5.6K 1/10W 1608
R185	1-216-821-11	s	RESISTOR,CHIP 1.0K 1/10W(1608)
R186	1-218-867-11	s	RESISTOR,CHIP 6.8K 1/10W(1608)
R187	1-218-885-11	s	RESISTOR,CHIP 39K 1/10W (1608)
R188	1-216-813-11	s	RESISTOR, CHIP 220 1/10W 1608
R189	1-218-855-11	s	RESISTOR,CHIP 2.2K 1/10W(1608)

(B BOARD (FOR PVM-14))

Ref. No. or Q'ty	Part No.	SP	Description
R190	1-216-809-11	s	RESISTOR,CHIP 100 1/10W 1608
R191	1-216-821-11	s	RESISTOR,CHIP 1.0K 1/10W(1608)
R192	1-216-821-11	s	RESISTOR,CHIP 1.0K 1/10W(1608)
R193	1-216-821-11	s	RESISTOR,CHIP 1.0K 1/10W(1608)
R194	1-216-821-11	s	RESISTOR,CHIP 1.0K 1/10W(1608)
R195	1-216-833-11	s	RESISTOR,CHIP 10K 1/10W (1608)
R196	1-216-813-11	s	RESISTOR, CHIP 220 1/10W 1608
R197	1-216-809-11	s	RESISTOR,CHIP 100 1/10W 1608
R198	1-216-809-11	s	RESISTOR,CHIP 100 1/10W 1608
R200	1-216-833-11	s	RESISTOR,CHIP 10K 1/10W (1608)
R201	1-216-821-11	s	RESISTOR,CHIP 1.0K 1/10W(1608)
R202	1-216-809-11	s	RESISTOR,CHIP 100 1/10W 1608
R203	1-216-809-11	s	RESISTOR,CHIP 100 1/10W 1608
R204	1-216-809-11	s	RESISTOR,CHIP 100 1/10W 1608
R205	1-216-805-11	s	RESISTOR,CHIP 47 1/10W 1608
R206	1-216-805-11	s	RESISTOR,CHIP 47 1/10W 1608
R207	1-216-805-11	s	RESISTOR,CHIP 47 1/10W 1608
R208	1-216-821-11	s	RESISTOR,CHIP 1.0K 1/10W(1608)
R209	1-216-821-11	s	RESISTOR,CHIP 1.0K 1/10W(1608)
R210	1-216-821-11	s	RESISTOR,CHIP 1.0K 1/10W(1608)
R211	1-216-809-11	s	RESISTOR,CHIP 100 1/10W 1608
R212	1-216-809-11	s	RESISTOR,CHIP 100 1/10W 1608
R213	1-216-809-11	s	RESISTOR,CHIP 100 1/10W 1608
R214	1-216-821-11	s	RESISTOR,CHIP 1.0K 1/10W(1608)
R215	1-218-870-11	s	RESISTOR,CHIP 9.1K 1/10W(1608)
R216	1-218-879-11	s	RESISTOR,CHIP 22K 1/10W (1608)
R217	1-216-864-11	s	CONDUCTOR, CHIP (1608)
R218	1-216-833-11	s	RESISTOR,CHIP 10K 1/10W (1608)
R219	1-216-837-11	s	RESISTOR,CHIP 22K 1/16W 1608
R220	1-216-839-11	s	RESISTOR,CHIP 33K 1/10W 1608
R221	1-218-867-11	s	RESISTOR,CHIP 6.8K 1/10W(1608)
R222	1-216-817-11	s	RESISTOR,CHIP 470 1/10W 1608
R223	1-216-829-11	s	RESISTOR,CHIP 4.7K 1/10W(1608)
R224	1-216-864-11	s	CONDUCTOR, CHIP (1608)
R229	1-216-864-11	s	CONDUCTOR, CHIP (1608)
R236	1-216-833-11	s	RESISTOR,CHIP 10K 1/10W (1608)
R237	1-216-809-11	s	RESISTOR,CHIP 100 1/10W 1608
R238	1-218-845-11	s	RESISTOR,CHIP 820 1/10W (1608)
R239	1-216-809-11	s	RESISTOR,CHIP 100 1/10W 1608
R240	1-216-837-11	s	RESISTOR,CHIP 22K 1/10W (1608)
R241	1-216-836-11	s	RESISTOR,CHIP 18K 1/10W (1608)
R242	1-216-809-11	s	RESISTOR,CHIP 100 1/10W 1608
R243	1-216-809-11	s	RESISTOR,CHIP 100 1/10W 1608
R244	1-216-809-11	s	RESISTOR,CHIP 100 1/10W 1608
R245	1-216-809-11	s	RESISTOR,CHIP 100 1/10W 1608
R246	1-216-809-11	s	RESISTOR,CHIP 100 1/10W 1608
R247	1-218-853-11	s	RESISTOR,CHIP 1.8K 1/10W(1608)
R248	1-216-822-11	s	RESISTOR, CHIP 1.2K 1/10W 1608
R249	1-216-828-11	s	RESISTOR, CHIP 3.9K 1/10W 1608
R254	1-216-821-11	s	RESISTOR,CHIP 1.0K 1/10W(1608)
R255	1-216-864-11	s	CONDUCTOR, CHIP (1608)
R256	1-216-829-11	s	RESISTOR,CHIP 4.7K 1/10W(1608)
R257	1-216-827-11	s	RESISTOR, CHIP 3.3K 1/10W 1608
R258	1-216-828-11	s	RESISTOR, CHIP 3.9K 1/10W 1608
R259	1-216-829-11	s	RESISTOR,CHIP 4.7K 1/10W(1608)
R260	1-218-867-11	s	RESISTOR,CHIP 6.8K 1/10W(1608)
R261	1-216-809-11	s	RESISTOR,CHIP 100 1/10W 1608
R262	1-216-853-11	s	RESISTOR,CHIP 470K 1/16W(1608)
R263	1-216-809-11	s	RESISTOR,CHIP 100 1/10W 1608

(B BOARD (FOR PVM-14))

Ref. No. or Q'ty	Part No.	SP	Description
R264	1-218-871-11	s	RESISTOR,CHIP 10K 1/10W (1608)
R265	1-216-849-11	s	RESISTOR,CHIP 220K 1/16W 1608
R266	1-216-844-11	s	RESISTOR,CHIP 82K 1/16W 1608
R267	1-216-853-11	s	RESISTOR,CHIP 470K 1/16W(1608)
R268	1-216-864-11	s	CONDUCTOR, CHIP (1608)
R269	1-216-839-11	s	RESISTOR,CHIP 33K 1/10W 1608
R270	1-216-851-11	s	RESISTOR,CHIP 330K 1/16W 1608
R271	1-218-917-11	s	RESISTOR,CHIP 820K 1/10W(1608)
R272	1-216-840-11	s	RESISTOR,CHIP 39K 1/10W 1608
R273	1-216-864-11	s	CONDUCTOR, CHIP (1608)
R274	1-216-845-11	s	RESISTOR,CHIP 100K 1/10W(1608)
R275	1-216-838-11	s	RESISTOR CHIP 27K 1/10W(1608)
R276	1-216-809-11	s	RESISTOR,CHIP 100 1/10W 1608
R277	1-216-839-11	s	RESISTOR,CHIP 33K 1/10W 1608
R278	1-216-853-11	s	RESISTOR,CHIP 470K 1/16W(1608)
R279	1-218-883-11	s	RESISTOR,CHIP 33K 1/10W (1608)
R280	1-216-839-11	s	RESISTOR,CHIP 33K 1/10W 1608
R281	1-218-883-11	s	RESISTOR,CHIP 33K 1/10W (1608)
R282	1-216-839-11	s	RESISTOR,CHIP 33K 1/10W 1608
R283	1-218-883-11	s	RESISTOR,CHIP 33K 1/10W (1608)
R284	1-216-839-11	s	RESISTOR,CHIP 33K 1/10W 1608
R286	1-216-828-11	s	RESISTOR, CHIP 3.9K 1/10W 1608
R287	1-216-828-11	s	RESISTOR, CHIP 3.9K 1/10W 1608
R288	1-216-828-11	s	RESISTOR, CHIP 3.9K 1/10W 1608
R291	1-216-809-11	s	RESISTOR,CHIP 100 1/10W 1608
R292	1-218-873-11	s	RESISTOR,CHIP 12K 1/10W (1608)
R293	1-216-841-11	s	RESISTOR, CHIP 47K 1/10W 1608
R294	1-216-809-11	s	RESISTOR,CHIP 100 1/10W 1608
R295	1-218-861-11	s	RESISTOR,CHIP 3.9K 1/10W(1608)
R296	1-218-885-11	s	RESISTOR,CHIP 39K 1/10W (1608)
R297	1-216-839-11	s	RESISTOR,CHIP 33K 1/10W 1608
R299	1-218-885-11	s	RESISTOR,CHIP 39K 1/10W (1608)
R300	1-218-911-11	s	RESISTOR,CHIP 470K 1/10W(1608)
R301	1-216-833-11	s	RESISTOR,CHIP 10K 1/10W (1608)
R302	1-216-845-11	s	RESISTOR,CHIP 100K 1/10W(1608)
R303	1-216-809-11	s	RESISTOR,CHIP 100 1/10W 1608
R304	1-216-809-11	s	RESISTOR,CHIP 100 1/10W 1608
R305	1-216-809-11	s	RESISTOR,CHIP 100 1/10W 1608
R306	1-216-805-11	s	RESISTOR,CHIP 47 1/10W 1608
R307	1-216-805-11	s	RESISTOR,CHIP 47 1/10W 1608
R308	1-216-805-11	s	RESISTOR,CHIP 47 1/10W 1608
R309	1-216-821-11	s	RESISTOR,CHIP 1.0K 1/10W(1608)
R310	1-216-817-11	s	RESISTOR,CHIP 470 1/10W 1608
R311	1-216-817-11	s	RESISTOR,CHIP 470 1/10W 1608
R312	1-216-817-11	s	RESISTOR,CHIP 470 1/10W 1608
R313	1-216-821-11	s	RESISTOR,CHIP 1.0K 1/10W(1608)
R314	1-216-821-11	s	RESISTOR,CHIP 1.0K 1/10W(1608)
R315	1-216-821-11	s	RESISTOR,CHIP 1.0K 1/10W(1608)
R316	1-216-821-11	s	RESISTOR,CHIP 1.0K 1/10W(1608)
R317	1-216-821-11	s	RESISTOR,CHIP 1.0K 1/10W(1608)
R318	1-216-809-11	s	RESISTOR,CHIP 100 1/10W 1608
R319	1-211-981-11	s	RESISTOR,CHIP 33 1/10W (1608)
R320	1-211-981-11	s	RESISTOR,CHIP 33 1/10W (1608)
R321	1-216-809-11	s	RESISTOR,CHIP 100 1/10W 1608
R322	1-211-981-11	s	RESISTOR,CHIP 33 1/10W (1608)
R323	1-216-809-11	s	RESISTOR,CHIP 100 1/10W 1608
R324	1-216-817-11	s	RESISTOR,CHIP 470 1/10W 1608
R325	1-216-817-11	s	RESISTOR,CHIP 470 1/10W 1608
R326	1-216-817-11	s	RESISTOR,CHIP 470 1/10W 1608

(B BOARD (FOR PVM-14))

Ref. No. or Q'ty	Part No.	SP	Description
R327	1-216-833-11	s	RESISTOR,CHIP 10K 1/10W (1608)
R328	1-216-833-11	s	RESISTOR,CHIP 10K 1/10W (1608)
R329	1-216-833-11	s	RESISTOR,CHIP 10K 1/10W (1608)
R330	1-216-844-11	s	RESISTOR,CHIP 82K 1/16W 1608
R331	1-216-844-11	s	RESISTOR,CHIP 82K 1/16W 1608
R332	1-216-844-11	s	RESISTOR,CHIP 82K 1/16W 1608
R333	1-216-821-11	s	RESISTOR,CHIP 1.0K 1/10W(1608)
R334	1-216-821-11	s	RESISTOR,CHIP 1.0K 1/10W(1608)
R335	1-216-829-11	s	RESISTOR,CHIP 4.7K 1/10W(1608)
R336	1-216-821-11	s	RESISTOR,CHIP 1.0K 1/10W(1608)
R337	1-216-817-11	s	RESISTOR,CHIP 470 1/10W 1608
R338	1-216-829-11	s	RESISTOR,CHIP 4.7K 1/10W(1608)
R339	1-216-817-11	s	RESISTOR,CHIP 470 1/10W 1608
R340	1-216-817-11	s	RESISTOR,CHIP 470 1/10W 1608
R341	1-216-829-11	s	RESISTOR,CHIP 4.7K 1/10W(1608)
R342	1-216-821-11	s	RESISTOR,CHIP 1.0K 1/10W(1608)
R343	1-216-821-11	s	RESISTOR,CHIP 1.0K 1/10W(1608)
R344	1-216-821-11	s	RESISTOR,CHIP 1.0K 1/10W(1608)
R345	1-216-833-11	s	RESISTOR,CHIP 10K 1/10W (1608)
R346	1-216-849-11	s	RESISTOR,CHIP 220K 1/16W 1608
R347	1-216-841-11	s	RESISTOR, CHIP 47K 1/10W 1608
R348	1-216-861-11	s	RESISTOR,CHIP 2.2M 1/16W 1608
R350	1-216-830-11	s	RESISTOR,CHIP 5.6K 1/10W 1608
R351	1-216-833-11	s	RESISTOR,CHIP 10K 1/10W
R352	1-216-827-11	s	RESISTOR, CHIP 3.3K 1/10W 1608
R353	1-216-864-11	s	CONDUCTOR, CHIP (1608)
R354	1-216-797-11	s	RESISTOR,CHIP 10 1/10W 1608
R355	1-216-797-11	s	RESISTOR,CHIP 10 1/10W 1608
R356	1-216-832-11	s	RESISTOR,CHIP 8.2K 1/16W 1608
R357	1-216-862-11	s	RESISTOR,CHIP 2.7M 1/16W 1608
R358	1-216-832-11	s	RESISTOR,CHIP 8.2K 1/16W 1608
R359	1-216-862-11	s	RESISTOR,CHIP 2.7M 1/16W 1608
R360	1-216-862-11	s	RESISTOR,CHIP 2.7M 1/16W 1608
R361	1-216-832-11	s	RESISTOR,CHIP 8.2K 1/16W 1608
R362	1-216-862-11	s	RESISTOR,CHIP 2.7M 1/16W 1608
R363	1-216-832-11	s	RESISTOR,CHIP 8.2K 1/16W 1608
R364	1-216-797-11	s	RESISTOR,CHIP 10 1/10W 1608
R365	1-216-797-11	s	RESISTOR,CHIP 10 1/10W 1608
R366	1-216-832-11	s	RESISTOR,CHIP 8.2K 1/16W 1608
R367	1-216-862-11	s	RESISTOR,CHIP 2.7M 1/16W 1608
R368	1-216-832-11	s	RESISTOR,CHIP 8.2K 1/16W 1608
R369	1-216-862-11	s	RESISTOR,CHIP 2.7M 1/16W 1608
R370	1-216-797-11	s	RESISTOR,CHIP 10 1/10W 1608
R371	1-218-889-11	s	RESISTOR,CHIP 56K 1/10W(1608)
R372	1-216-797-11	s	RESISTOR,CHIP 10 1/10W 1608
R374	1-216-825-11	s	RESISTOR,CHIP 2.2K 1/10W 1608
R375	1-218-885-11	s	RESISTOR,CHIP 39K 1/10W (1608)
R376	1-218-871-11	s	RESISTOR,CHIP 10K 1/10W (1608)
R377	1-216-821-11	s	RESISTOR,CHIP 1.0K 1/10W(1608)
R380	1-216-864-11	s	CONDUCTOR, CHIP (1608)
R388	1-216-821-11	s	RESISTOR,CHIP 1.0K 1/10W(1608)
R389	1-216-821-11	s	RESISTOR,CHIP 1.0K 1/10W(1608)
R396	1-218-871-11	s	RESISTOR,CHIP 10K 1/10W (1608)
R398	1-216-864-11	s	CONDUCTOR, CHIP (1608)
R405	1-216-821-11	s	RESISTOR,CHIP 1.0K 1/10W (1608)
R406	1-218-873-11	s	RESISTOR,CHIP 12K 1/10W (1608)
R412	1-218-891-11	s	RESISTOR,CHIP 68K 1/10W (1608)
R414	1-216-821-11	s	RESISTOR,CHIP 1.0K 1/10W(1608)
R423	1-218-883-11	s	RESISTOR,CHIP 33K 1/10W (1608)

(B BOARD (FOR PVM-14))

Ref. No. or Q'ty	Part No.	SP	Description
R440	1-218-871-11	s	RESISTOR,CHIP 10K 1/10W (1608)
R441	1-216-827-11	s	RESISTOR, CHIP 3.3K 1/10W 1608
R442	1-216-830-11	s	RESISTOR,CHIP 5.6K 1/10W 1608
R450	1-216-821-11	s	RESISTOR,CHIP 1.0K 1/10W(1608)
R451	1-216-821-11	s	RESISTOR,CHIP 1.0K 1/10W(1608)
R452	1-216-821-11	s	RESISTOR,CHIP 1.0K 1/10W(1608)
R453	1-216-823-11	s	RESISTOR, CHIP 1.5K 1/10W
R454	1-216-823-11	s	RESISTOR, CHIP 1.5K 1/10W
R455	1-216-797-11	s	RESISTOR,CHIP 10 1/10W 1608
R456	1-216-797-11	s	RESISTOR,CHIP 10 1/10W 1608
R457	1-216-797-11	s	RESISTOR,CHIP 10 1/10W 1608
R458	1-216-797-11	s	RESISTOR,CHIP 10 1/10W 1608
R459	1-216-797-11	s	RESISTOR,CHIP 10 1/10W 1608
R460	1-216-833-11	s	RESISTOR,CHIP 10K 1/10W (1608)
R461	1-216-797-11	s	RESISTOR,CHIP 10 1/10W 1608
R462	1-216-797-11	s	RESISTOR,CHIP 10 1/10W 1608
R463	1-216-797-11	s	RESISTOR,CHIP 10 1/10W 1608
R464	1-216-797-11	s	RESISTOR,CHIP 10 1/10W 1608
R465	1-216-797-11	s	RESISTOR,CHIP 10 1/10W 1608
R466	1-216-797-11	s	RESISTOR,CHIP 10 1/10W 1608
R467	1-216-797-11	s	RESISTOR,CHIP 10 1/10W 1608
R468	1-216-797-11	s	RESISTOR,CHIP 10 1/10W 1608
R469	1-216-797-11	s	RESISTOR,CHIP 10 1/10W 1608
R470	1-216-797-11	s	RESISTOR,CHIP 10 1/10W 1608
R471	1-216-797-11	s	RESISTOR,CHIP 10 1/10W 1608
R472	1-216-797-11	s	RESISTOR,CHIP 10 1/10W 1608
R473	1-216-797-11	s	RESISTOR,CHIP 10 1/10W 1608
R474	1-216-797-11	s	RESISTOR,CHIP 10 1/10W 1608
R475	1-216-797-11	s	RESISTOR,CHIP 10 1/10W 1608
R476	1-216-797-11	s	RESISTOR,CHIP 10 1/10W 1608
R477	1-216-797-11	s	RESISTOR,CHIP 10 1/10W 1608
R478	1-216-797-11	s	RESISTOR,CHIP 10 1/10W 1608
R479	1-216-797-11	s	RESISTOR,CHIP 10 1/10W 1608
R480	1-216-797-11	s	RESISTOR,CHIP 10 1/10W 1608
R481	1-216-797-11	s	RESISTOR,CHIP 10 1/10W 1608
R482	1-216-797-11	s	RESISTOR,CHIP 10 1/10W 1608
R483	1-216-797-11	s	RESISTOR,CHIP 10 1/10W 1608
R484	1-216-797-11	s	RESISTOR,CHIP 10 1/10W 1608
R485	1-216-797-11	s	RESISTOR,CHIP 10 1/10W 1608
R486	1-216-797-11	s	RESISTOR,CHIP 10 1/10W 1608
R487	1-216-797-11	s	RESISTOR,CHIP 10 1/10W 1608
R488	1-216-797-11	s	RESISTOR,CHIP 10 1/10W 1608
R489	1-216-797-11	s	RESISTOR,CHIP 10 1/10W 1608
R490	1-216-797-11	s	RESISTOR,CHIP 10 1/10W 1608
R491	1-216-797-11	s	RESISTOR,CHIP 10 1/10W 1608
R492	1-216-797-11	s	RESISTOR,CHIP 10 1/10W 1608
R493	1-216-797-11	s	RESISTOR,CHIP 10 1/10W 1608
R494	1-216-797-11	s	RESISTOR,CHIP 10 1/10W 1608
R495	1-216-797-11	s	RESISTOR,CHIP 10 1/10W 1608
R496	1-216-797-11	s	RESISTOR,CHIP 10 1/10W 1608
R497	1-216-797-11	s	RESISTOR,CHIP 10 1/10W 1608
R498	1-216-797-11	s	RESISTOR,CHIP 10 1/10W 1608
R499	1-216-797-11	s	RESISTOR,CHIP 10 1/10W 1608
R500	1-216-797-11	s	RESISTOR,CHIP 10 1/10W 1608
R501	1-216-797-11	s	RESISTOR,CHIP 10 1/10W 1608
R502	1-216-797-11	s	RESISTOR,CHIP 10 1/10W 1608
R503	1-216-797-11	s	RESISTOR,CHIP 10 1/10W 1608
R504	1-216-797-11	s	RESISTOR,CHIP 10 1/10W 1608
R505	1-216-797-11	s	RESISTOR,CHIP 10 1/10W 1608

(B BOARD (FOR PVM-14))

Ref. No. or Q'ty	Part No.	SP	Description
R506	1-216-797-11	s	RESISTOR,CHIP 10 1/10W 1608
R507	1-216-833-11	s	RESISTOR,CHIP 10K 1/10W (1608)
R508	1-216-797-11	s	RESISTOR,CHIP 10 1/10W 1608
R509	1-216-797-11	s	RESISTOR,CHIP 10 1/10W 1608
R510	1-216-797-11	s	RESISTOR,CHIP 10 1/10W 1608
R511	1-216-797-11	s	RESISTOR,CHIP 10 1/10W 1608
R512	1-216-797-11	s	RESISTOR,CHIP 10 1/10W 1608
R513	1-216-797-11	s	RESISTOR,CHIP 10 1/10W 1608
R514	1-216-797-11	s	RESISTOR,CHIP 10 1/10W 1608
R515	1-216-797-11	s	RESISTOR,CHIP 10 1/10W 1608
R516	1-216-833-11	s	RESISTOR,CHIP 10K 1/10W (1608)
R517	1-216-797-11	s	RESISTOR,CHIP 10 1/10W 1608
R518	1-216-797-11	s	RESISTOR,CHIP 10 1/10W 1608
R519	1-216-797-11	s	RESISTOR,CHIP 10 1/10W 1608
R520	1-216-797-11	s	RESISTOR,CHIP 10 1/10W 1608
R521	1-216-797-11	s	RESISTOR,CHIP 10 1/10W 1608
R522	1-216-797-11	s	RESISTOR,CHIP 10 1/10W 1608
R523	1-216-797-11	s	RESISTOR,CHIP 10 1/10W 1608
R524	1-216-797-11	s	RESISTOR,CHIP 10 1/10W 1608
R525	1-216-797-11	s	RESISTOR,CHIP 10 1/10W 1608
R526	1-216-797-11	s	RESISTOR,CHIP 10 1/10W 1608
R527	1-216-797-11	s	RESISTOR,CHIP 10 1/10W 1608
R528	1-216-797-11	s	RESISTOR,CHIP 10 1/10W 1608
R529	1-216-797-11	s	RESISTOR,CHIP 10 1/10W 1608
R530	1-216-797-11	s	RESISTOR,CHIP 10 1/10W 1608
R531	1-216-797-11	s	RESISTOR,CHIP 10 1/10W 1608
R532	1-216-797-11	s	RESISTOR,CHIP 10 1/10W 1608
R533	1-216-797-11	s	RESISTOR,CHIP 10 1/10W 1608
R534	1-216-797-11	s	RESISTOR,CHIP 10 1/10W 1608
R535	1-216-797-11	s	RESISTOR,CHIP 10 1/10W 1608
R536	1-216-797-11	s	RESISTOR,CHIP 10 1/10W 1608
R537	1-216-809-11	s	RESISTOR,CHIP 100 1/10W 1608
R538	1-216-797-11	s	RESISTOR,CHIP 10 1/10W 1608
R539	1-216-797-11	s	RESISTOR,CHIP 10 1/10W 1608
R540	1-216-797-11	s	RESISTOR,CHIP 10 1/10W 1608
R541	1-216-797-11	s	RESISTOR,CHIP 10 1/10W 1608
R542	1-216-797-11	s	RESISTOR,CHIP 10 1/10W 1608
R543	1-216-797-11	s	RESISTOR,CHIP 10 1/10W 1608
R544	1-216-797-11	s	RESISTOR,CHIP 10 1/10W 1608
R545	1-216-797-11	s	RESISTOR,CHIP 10 1/10W 1608
R546	1-216-797-11	s	RESISTOR,CHIP 10 1/10W 1608
R547	1-216-797-11	s	RESISTOR,CHIP 10 1/10W 1608
R548	1-216-797-11	s	RESISTOR,CHIP 10 1/10W 1608
R549	1-216-797-11	s	RESISTOR,CHIP 10 1/10W 1608
R550	1-216-797-11	s	RESISTOR,CHIP 10 1/10W 1608
R551	1-216-864-11	s	CONDUCTOR, CHIP (1608)
R552	1-211-991-11	s	RESISTOR,CHIP 82 1/10W (1608)
R553	1-218-834-11	s	RESISTOR,CHIP 300 1/10W (1608)
R554	1-216-833-11	s	RESISTOR,CHIP 10K 1/10W (1608)
R555	1-216-821-11	s	RESISTOR,CHIP 1.0K 1/10W(1608)
R556	1-216-797-11	s	RESISTOR,CHIP 10 1/10W 1608
R557	1-216-797-11	s	RESISTOR,CHIP 10 1/10W 1608
R558	1-216-797-11	s	RESISTOR,CHIP 10 1/10W 1608
R559	1-216-797-11	s	RESISTOR,CHIP 10 1/10W 1608
R561	1-216-864-11	s	CONDUCTOR, CHIP (1608)
R562	1-216-833-11	s	RESISTOR,CHIP 10K 1/10W (1608)
R563	1-216-809-11	s	RESISTOR,CHIP 100 1/10W 1608
R564	1-216-809-11	s	RESISTOR,CHIP 100 1/10W 1608
R565	1-216-809-11	s	RESISTOR,CHIP 100 1/10W 1608

(B BOARD (FOR PVM-14))

Ref. No. or Q'ty	Part No.	SP	Description
R566	1-216-809-11	s	RESISTOR,CHIP 100 1/10W 1608
R567	1-216-809-11	s	RESISTOR,CHIP 100 1/10W 1608
R568	1-216-809-11	s	RESISTOR,CHIP 100 1/10W 1608
R569	1-216-825-11	s	RESISTOR,CHIP 2.2K 1/10W 1608
R570	1-216-825-11	s	RESISTOR,CHIP 2.2K 1/10W 1608
R571	1-216-825-11	s	RESISTOR,CHIP 2.2K 1/10W 1608
R572	1-216-825-11	s	RESISTOR,CHIP 2.2K 1/10W 1608
R573	1-216-825-11	s	RESISTOR,CHIP 2.2K 1/10W 1608
R574	1-216-825-11	s	RESISTOR,CHIP 2.2K 1/10W 1608
R575	1-218-831-11	s	RESISTOR, CHIP 220 1/10W(1608)
R576	1-218-829-11	s	RESISTOR,CHIP 180 1/10W (1608)
R577	1-216-813-11	s	RESISTOR, CHIP 220 1/10W 1608
R578	1-216-815-11	s	RESISTOR,CHIP 330 1/10W 1608
R579	1-216-821-11	s	RESISTOR,CHIP 1.0K 1/10W(1608)
R580	1-216-821-11	s	RESISTOR,CHIP 1.0K 1/10W(1608)
R581	1-216-821-11	s	RESISTOR,CHIP 1.0K 1/10W(1608)
R582	1-216-809-11	s	RESISTOR,CHIP 100 1/10W 1608
R583	1-216-809-11	s	RESISTOR,CHIP 100 1/10W 1608
R584	1-216-864-11	s	CONDUCTOR, CHIP (1608)
R585	1-216-864-11	s	CONDUCTOR, CHIP (1608)
R588	1-216-809-11	s	RESISTOR,CHIP 100 1/10W 1608
R589	1-216-825-11	s	RESISTOR,CHIP 2.2K 1/10W 1608
R594	1-216-809-11	s	RESISTOR,CHIP 100 1/10W 1608
R595	1-216-825-11	s	RESISTOR,CHIP 2.2K 1/10W 1608
R1501	1-216-809-11	s	RESISTOR,CHIP 100 1/10W 1608
R1502	1-216-825-11	s	RESISTOR,CHIP 2.2K 1/10W 1608
R1505	1-216-821-11	s	RESISTOR,CHIP 1.0K 1/10W(1608)
R1506	1-216-821-11	s	RESISTOR,CHIP 1.0K 1/10W(1608)
R1507	1-216-821-11	s	RESISTOR,CHIP 1.0K 1/10W(1608)
R1511	1-216-821-11	s	RESISTOR,CHIP 1.0K 1/10W(1608)
R2316	1-216-864-11	s	CONDUCTOR, CHIP (1608)
R2318	1-216-864-11	s	CONDUCTOR, CHIP (1608)
R2320	1-216-864-11	s	CONDUCTOR, CHIP (1608)
R2321	1-216-864-11	s	CONDUCTOR, CHIP (1608)
R2324	1-216-864-11	s	CONDUCTOR, CHIP (1608)
R2325	1-216-864-11	s	CONDUCTOR, CHIP (1608)
R7201	1-218-879-11	s	RESISTOR,CHIP 22K 1/10W (1608)
R7202	1-218-880-11	s	RESISTOR,CHIP 24K 1/10W (1608)
R7203	1-218-883-11	s	RESISTOR,CHIP 33K 1/10W (1608)
R7204	1-218-889-11	s	RESISTOR,CHIP 56K 1/10W(1608)
R7206	1-216-829-11	s	RESISTOR,CHIP 4.7K 1/10W(1608)
R7207	1-216-823-11	s	RESISTOR, CHIP 1.5K 1/10W
R7208	1-216-853-11	s	RESISTOR,CHIP 470K 1/16W(1608)
R7209	1-218-743-11	s	RESISTOR,CHIP 130K 1/16W(1608)
R7210	1-216-837-11	s	RESISTOR,CHIP 22K 1/16W 1608
R7211	1-216-853-11	s	RESISTOR,CHIP 470K 1/16W(1608)
R7212	1-216-815-11	s	RESISTOR,CHIP 330 1/10W 1608
R7220	1-218-892-11	s	RESISTOR,CHIP 75K 1/10W (1608)
S450	1-771-795-11	s	SWITCH, SLIDE
TP101	1-535-877-22	s	CHIP,CHECKER (TEST POINT)
TP102	1-535-877-22	s	CHIP,CHECKER (TEST POINT)
TP103	1-535-877-22	s	CHIP,CHECKER (TEST POINT)
TP104	1-535-877-22	s	CHIP,CHECKER (TEST POINT)
TP105	1-535-877-22	s	CHIP,CHECKER (TEST POINT)
TP106	1-535-877-22	s	CHIP,CHECKER (TEST POINT)
TP107	1-535-877-22	s	CHIP,CHECKER (TEST POINT)
TP111	1-535-877-22	s	CHIP,CHECKER (TEST POINT)
TP112	1-535-877-22	s	CHIP,CHECKER (TEST POINT)
TP113	1-535-877-22	s	CHIP,CHECKER (TEST POINT)

(B BOARD (FOR PVM-14))

Ref. No. or Q'ty	Part No.	SP	Description
TP114	1-535-877-22	s	CHIP,CHECKER (TEST POINT)
TP115	1-535-877-22	s	CHIP,CHECKER (TEST POINT)
TP116	1-535-877-22	s	CHIP,CHECKER (TEST POINT)
TP117	1-535-877-22	s	CHIP,CHECKER (TEST POINT)
TP230	1-535-877-22	s	CHIP,CHECKER (TEST POINT)
TP350	1-535-877-22	s	CHIP,CHECKER (TEST POINT)
TP351	1-535-877-22	s	CHIP,CHECKER (TEST POINT)
TP352	1-535-877-22	s	CHIP,CHECKER (TEST POINT)
TP353	1-535-877-22	s	CHIP,CHECKER (TEST POINT)
X101	1-781-914-21	s	VIBRATOR, CRYSTAL (16.2MHz)
X450	1-767-467-11	s	VIBRATOR, CRYSTAL (16.9344MHz)

B BOARD (FOR PVM-20)

Ref. No. or Q'ty	Part No.	SP	Description
lpc	A-1303-018-A	s	MOUNTED CIRCUIT BOARD, B
C101	1-126-935-11	s	CAPACITOR,ELECT 470MF/16V
C102	1-126-947-11	s	CAPACITOR, ELECT 47MF/35V
C103	1-126-947-11	s	CAPACITOR, ELECT 47MF/35V
C104	1-126-947-11	s	CAPACITOR, ELECT 47MF/35V
C105	1-162-924-11	s	CAPACITOR,CERAMIC 56PF/50V CH
C109	1-107-826-11	s	CAPACITOR,CHIP CERAMIC 0.1MF
C110	1-107-823-11	s	CAPACITOR,CERAMIC 0.47MF/16V
C112	1-126-933-11	s	CAPACITOR,ELECT 100MF/16V
C113	1-126-933-11	s	CAPACITOR,ELECT 100MF/16V
C114	1-125-889-11	s	CAPACITOR, C.CERAMIC 2.2MF
C117	1-162-970-11	s	CAPACITOR CERAMIC 0.01MF/25V B
C118	1-164-227-11	s	CAPACITOR,CERAMIC 0.022MF/25V
C119	1-162-970-11	s	CAPACITOR CERAMIC 0.01MF/25V B
C120	1-162-970-11	s	CAPACITOR CERAMIC 0.01MF/25V B
C121	1-126-933-11	s	CAPACITOR,ELECT 100MF/16V
C122	1-125-837-91	s	CAPACITOR,CHIP CERAMIC1MF/6.3V
C123	1-162-915-11	s	CAPACITOR,CERAMIC 10PF/50V CH
C124	1-162-970-11	s	CAPACITOR CERAMIC 0.01MF/25V B
C125	1-126-964-11	s	CAPACITOR, ELECT 10MF/50V
C126	1-107-826-11	s	CAPACITOR,CHIP CERAMIC 0.1MF
C127	1-162-970-11	s	CAPACITOR CERAMIC 0.01MF/25V B
C128	1-126-964-11	s	CAPACITOR, ELECT 10MF/50V
C129	1-126-964-11	s	CAPACITOR, ELECT 10MF/50V
C130	1-107-714-11	s	CAPACITOR, ELECT 10MF/50V(BP)
C131	1-107-826-11	s	CAPACITOR,CHIP CERAMIC 0.1MF
C132	1-107-826-11	s	CAPACITOR,CHIP CERAMIC 0.1MF
C133	1-162-970-11	s	CAPACITOR CERAMIC 0.01MF/25V B
C134	1-162-970-11	s	CAPACITOR CERAMIC 0.01MF/25V B
C135	1-126-947-11	s	CAPACITOR, ELECT 47MF/35V
C136	1-126-947-11	s	CAPACITOR, ELECT 47MF/35V
C137	1-162-970-11	s	CAPACITOR CERAMIC 0.01MF/25V B
C138	1-107-826-11	s	CAPACITOR,CHIP CERAMIC 0.1MF
C139	1-162-970-11	s	CAPACITOR CERAMIC 0.01MF/25V B
C140	1-107-826-11	s	CAPACITOR,CHIP CERAMIC 0.1MF
C141	1-107-826-11	s	CAPACITOR,CHIP CERAMIC 0.1MF
C142	1-107-826-11	s	CAPACITOR,CHIP CERAMIC 0.1MF
C143	1-126-963-11	s	CAPACITOR, ELECT 4.7MF/50V
C144	1-162-970-11	s	CAPACITOR CERAMIC 0.01MF/25V B
C145	1-107-826-11	s	CAPACITOR,CHIP CERAMIC 0.1MF
C146	1-107-826-11	s	CAPACITOR,CHIP CERAMIC 0.1MF
C147	1-107-826-11	s	CAPACITOR,CHIP CERAMIC 0.1MF
C148	1-107-826-11	s	CAPACITOR,CHIP CERAMIC 0.1MF
C149	1-107-826-11	s	CAPACITOR,CHIP CERAMIC 0.1MF
C150	1-162-970-11	s	CAPACITOR CERAMIC 0.01MF/25V B
C151	1-162-970-11	s	CAPACITOR CERAMIC 0.01MF/25V B
C152	1-162-970-11	s	CAPACITOR CERAMIC 0.01MF/25V B
C153	1-126-968-11	s	CAPACITOR,ELECT 100MF/50V
C154	1-162-964-11	s	CAPACITOR,CERAMIC 1000PF/50V B
C155	1-107-826-11	s	CAPACITOR,CHIP CERAMIC 0.1MF
C156	1-126-968-11	s	CAPACITOR,ELECT 100MF/50V
C157	1-162-970-11	s	CAPACITOR CERAMIC 0.01MF/25V B
C159	1-107-826-11	s	CAPACITOR,CHIP CERAMIC 0.1MF
C162	1-126-933-11	s	CAPACITOR,ELECT 100MF/16V
C163	1-162-970-11	s	CAPACITOR CERAMIC 0.01MF/25V B
C164	1-107-826-11	s	CAPACITOR,CHIP CERAMIC 0.1MF
C165	1-107-826-11	s	CAPACITOR,CHIP CERAMIC 0.1MF
C166	1-107-826-11	s	CAPACITOR,CHIP CERAMIC 0.1MF

(B BOARD (FOR PVM-20))

Ref. No. or Q'ty	Part No.	SP	Description
C169	1-162-970-11	s	CAPACITOR CERAMIC 0.01MF/25V B
C171	1-125-889-11	s	CAPACITOR, C.CERAMIC 2.2MF
C172	1-162-970-11	s	CAPACITOR CERAMIC 0.01MF/25V B
C173	1-107-826-11	s	CAPACITOR,CHIP CERAMIC 0.1MF
C174	1-162-970-11	s	CAPACITOR CERAMIC 0.01MF/25V B
C175	1-107-826-11	s	CAPACITOR,CHIP CERAMIC 0.1MF
C176	1-126-933-11	s	CAPACITOR,ELECT 100MF/16V
C177	1-126-964-11	s	CAPACITOR, ELECT 10MF/50V
C178	1-162-970-11	s	CAPACITOR CERAMIC 0.01MF/25V B
C179	1-162-970-11	s	CAPACITOR CERAMIC 0.01MF/25V B
C180	1-162-970-11	s	CAPACITOR CERAMIC 0.01MF/25V B
C181	1-162-970-11	s	CAPACITOR CERAMIC 0.01MF/25V B
C182	1-126-964-11	s	CAPACITOR, ELECT 10MF/50V
C183	1-126-964-11	s	CAPACITOR, ELECT 10MF/50V
C184	1-126-964-11	s	CAPACITOR, ELECT 10MF/50V
C185	1-126-964-11	s	CAPACITOR, ELECT 10MF/50V
C186	1-126-964-11	s	CAPACITOR, ELECT 10MF/50V
C187	1-126-964-11	s	CAPACITOR, ELECT 10MF/50V
C188	1-126-964-11	s	CAPACITOR, ELECT 10MF/50V
C189	1-126-964-11	s	CAPACITOR, ELECT 10MF/50V
C190	1-126-964-11	s	CAPACITOR, ELECT 10MF/50V
C191	1-126-964-11	s	CAPACITOR, ELECT 10MF/50V
C193	1-126-935-11	s	CAPACITOR,ELECT 470MF/16V
C194	1-162-970-11	s	CAPACITOR CERAMIC 0.01MF/25V B
C195	1-107-826-11	s	CAPACITOR,CHIP CERAMIC 0.1MF
C196	1-162-970-11	s	CAPACITOR CERAMIC 0.01MF/25V B
C197	1-107-826-11	s	CAPACITOR,CHIP CERAMIC 0.1MF
C198	1-165-176-11	s	CAPACITOR,CERAMIC 47000PF/16V
C201	1-164-230-11	s	CAPACITOR,CERAMIC 220PF/50V
C202	1-107-826-11	s	CAPACITOR,CHIP CERAMIC 0.1MF
C203	1-107-826-11	s	CAPACITOR,CHIP CERAMIC 0.1MF
C204	1-162-926-11	s	CAPACITOR,CERAMIC 82PF/50V CH
C205	1-162-926-11	s	CAPACITOR,CERAMIC 82PF/50V CH
C206	1-162-926-11	s	CAPACITOR,CERAMIC 82PF/50V CH
C231	1-126-935-11	s	CAPACITOR,ELECT 470MF/16V
C232	1-162-927-11	s	CAPACITOR,CERAMIC 100PF/50V CH
C233	1-162-970-11	s	CAPACITOR CERAMIC 0.01MF/25V B
C234	1-162-922-11	s	CAPACITOR,CERAMIC 39PF/50V 1608
C235	1-165-176-11	s	CAPACITOR,CERAMIC 47000PF/16V
C236	1-165-176-11	s	CAPACITOR,CERAMIC 47000PF/16V
C237	1-165-176-11	s	CAPACITOR,CERAMIC 47000PF/16V
C238	1-162-922-11	s	CAPACITOR,CERAMIC 39PF/50V CH
C239	1-164-160-11	s	CAPACITOR,CERAMIC 20PF/50V CH
C240	1-165-176-11	s	CAPACITOR,CERAMIC 47000PF/16V
C241	1-165-176-11	s	CAPACITOR,CERAMIC 47000PF/16V
C242	1-165-176-11	s	CAPACITOR,CERAMIC 47000PF/16V
C243	1-162-927-11	s	CAPACITOR,CERAMIC 100PF/50V CH
C244	1-126-947-11	s	CAPACITOR, ELECT 47MF/35V
C245	1-127-715-11	s	CAPACITOR,CERAMIC 0.22MF B1608
C246	1-127-573-11	s	CAPACITOR,CERAMIC 1MFB(2012)
C247	1-107-826-11	s	CAPACITOR,CHIP CERAMIC 0.1MF
C248	1-107-826-11	s	CAPACITOR,CHIP CERAMIC 0.1MF
C249	1-162-970-11	s	CAPACITOR CERAMIC 0.01MF/25V B
C250	1-162-970-11	s	CAPACITOR CERAMIC 0.01MF/25V B
C251	1-127-573-11	s	CAPACITOR,CERAMIC 1MFB(2012)
C252	1-107-826-11	s	CAPACITOR,CHIP CERAMIC 0.1MF
C253	1-107-826-11	s	CAPACITOR,CHIP CERAMIC 0.1MF
C254	1-107-826-11	s	CAPACITOR,CHIP CERAMIC 0.1MF
C255	1-107-826-11	s	CAPACITOR,CHIP CERAMIC 0.1MF

(B BOARD (FOR PVM-20))

Ref. No. or Q'ty	Part No.	SP	Description
C256	1-107-826-11	s	CAPACITOR,CHIP CERAMIC 0.1MF
C257	1-127-573-11	s	CAPACITOR,CERAMIC 1MFB(2012)
C258	1-107-826-11	s	CAPACITOR,CHIP CERAMIC 0.1MF
C259	1-107-826-11	s	CAPACITOR,CHIP CERAMIC 0.1MF
C260	1-107-826-11	s	CAPACITOR,CHIP CERAMIC 0.1MF
C261	1-164-005-11	s	CAPACITOR,CERAMIC 0.47MF/25V
C262	1-126-947-11	s	CAPACITOR, ELECT 47MF/35V
C263	1-164-005-11	s	CAPACITOR,CERAMIC 0.47MF/25V
C264	1-162-970-11	s	CAPACITOR CERAMIC 0.01MF/25V B
C265	1-107-826-11	s	CAPACITOR,CHIP CERAMIC 0.1MF
C266	1-162-970-11	s	CAPACITOR CERAMIC 0.01MF/25V B
C267	1-162-970-11	s	CAPACITOR CERAMIC 0.01MF/25V B
C268	1-126-935-11	s	CAPACITOR,ELECT 470MF/16V
C269	1-126-935-11	s	CAPACITOR,ELECT 470MF/16V
C270	1-162-970-11	s	CAPACITOR CERAMIC 0.01MF/25V B
C271	1-126-935-11	s	CAPACITOR,ELECT 470MF/16V
C273	1-162-970-11	s	CAPACITOR CERAMIC 0.01MF/25V B
C274	1-162-970-11	s	CAPACITOR CERAMIC 0.01MF/25V B
C275	1-162-970-11	s	CAPACITOR CERAMIC 0.01MF/25V B
C276	1-162-965-11	s	CAPACITOR,CERAMIC 1500PF/50V B
C277	1-162-965-11	s	CAPACITOR,CERAMIC 1500PF/50V B
C278	1-162-965-11	s	CAPACITOR,CERAMIC 1500PF/50V B
C279	1-162-927-11	s	CAPACITOR,CERAMIC 100PF/50V CH
C280	1-162-927-11	s	CAPACITOR,CERAMIC 100PF/50V CH
C281	1-162-927-11	s	CAPACITOR,CERAMIC 100PF/50V CH
C282	1-115-416-11	s	CAPACITOR,CERAMIC 1000PF/25V
C283	1-115-416-11	s	CAPACITOR,CERAMIC 1000PF/25V
C284	1-115-416-11	s	CAPACITOR,CERAMIC 1000PF/25V
C285	1-164-388-91	s	CAPACITOR,CERAMIC 270PF/50V CH
C286	1-164-677-11	s	CAPACITOR,CERAMIC 0.033MF/16V
C287	1-162-970-11	s	CAPACITOR CERAMIC 0.01MF/25V B
C301	1-126-960-11	s	CAPACITOR,ELECT 1MF/50V
C350	1-162-970-11	s	CAPACITOR CERAMIC 0.01MF/25V B
C351	1-162-970-11	s	CAPACITOR CERAMIC 0.01MF/25V B
C352	1-162-970-11	s	CAPACITOR CERAMIC 0.01MF/25V B
C353	1-162-970-11	s	CAPACITOR CERAMIC 0.01MF/25V B
C354	1-162-970-11	s	CAPACITOR CERAMIC 0.01MF/25V B
C355	1-162-970-11	s	CAPACITOR CERAMIC 0.01MF/25V B
C356	1-162-970-11	s	CAPACITOR CERAMIC 0.01MF/25V B
C357	1-164-739-11	s	CAPACITOR CERAMIC 560PF (1608)
C358	1-162-970-11	s	CAPACITOR CERAMIC 0.01MF/25V B
C368	1-115-416-11	s	CAPACITOR,CERAMIC 1000PF/25V
C369	1-162-970-11	s	CAPACITOR CERAMIC 0.01MF/25V B
C370	1-162-927-11	s	CAPACITOR,CERAMIC 100PF/50V CH
C371	1-136-159-00	s	CAPACITOR,FILM 0.033MF/50V
C372	1-126-933-11	s	CAPACITOR,ELECT 100MF/16V
C373	1-162-923-11	s	CAPACITOR,CERAMIC 47PF/50V CH
C374	1-162-970-11	s	CAPACITOR CERAMIC 0.01MF/25V B
C377	1-162-970-11	s	CAPACITOR CERAMIC 0.01MF/25V B
C403	1-107-826-11	s	CAPACITOR,CHIP CERAMIC 0.1MF
C404	1-107-826-11	s	CAPACITOR,CHIP CERAMIC 0.1MF
C450	1-162-927-11	s	CAPACITOR,CERAMIC 100PF/50V CH
C451	1-162-927-11	s	CAPACITOR,CERAMIC 100PF/50V CH
C452	1-126-947-11	s	CAPACITOR, ELECT 47MF/35V
C453	1-162-964-11	s	CAPACITOR,CERAMIC 1000PF/50V B
C454	1-162-964-11	s	CAPACITOR,CERAMIC 1000PF/50V B
C455	1-162-964-11	s	CAPACITOR,CERAMIC 1000PF/50V B
C456	1-162-964-11	s	CAPACITOR,CERAMIC 1000PF/50V B
C457	1-162-970-11	s	CAPACITOR CERAMIC 0.01MF/25V B
C458	1-162-970-11	s	CAPACITOR CERAMIC 0.01MF/25V B

(B BOARD (FOR PVM-20))

Ref. No. or Q'ty	Part No.	SP	Description
C459	1-162-970-11	s	CAPACITOR CERAMIC 0.01MF/25V B
C460	1-162-970-11	s	CAPACITOR CERAMIC 0.01MF/25V B
C461	1-162-970-11	s	CAPACITOR CERAMIC 0.01MF/25V B
C462	1-162-916-11	s	CAPACITOR,CERAMIC 12PF/50V CH
C463	1-162-916-11	s	CAPACITOR,CERAMIC 12PF/50V CH
C464	1-162-970-11	s	CAPACITOR CERAMIC 0.01MF/25V B
C465	1-125-837-91	s	CAPACITOR,CHIP CERAMIC1MF/6.3V
C466	1-162-964-11	s	CAPACITOR,CERAMIC 1000PF/50V B
C467	1-107-826-11	s	CAPACITOR,CHIP CERAMIC 0.1MF
C468	1-107-826-11	s	CAPACITOR,CHIP CERAMIC 0.1MF
C469	1-162-970-11	s	CAPACITOR CERAMIC 0.01MF/25V B
C470	1-126-947-11	s	CAPACITOR, ELECT 47MF/35V
C471	1-126-964-11	s	CAPACITOR, ELECT 10MF/50V
C472	1-107-826-11	s	CAPACITOR,CHIP CERAMIC 0.1MF
C2301	1-107-826-11	s	CAPACITOR,CHIP CERAMIC 0.1MF
C2303	1-107-909-11	s	CAPACITOR,ELECT 47MF/50V
C2304	1-162-970-11	s	CAPACITOR CERAMIC 0.01MF/25V B
C2308	1-162-970-11	s	CAPACITOR CERAMIC 0.01MF/25V B
C2309	1-107-909-11	s	CAPACITOR,ELECT 47MF/50V
C7201	1-162-927-11	s	CAPACITOR,CERAMIC 100PF/50V CH
C7202	1-164-218-11	s	CAPACITOR,CERAMIC 180PF/50V CH
C7203	1-164-730-11	s	CAPACITOR,CERAMIC 1200RF (M-)
C7204	1-107-826-11	s	CAPACITOR,CHIP CERAMIC 0.1MF
C7205	1-162-968-11	s	CAPACITOR,CERAMIC 4700PF/50V B
C7206	1-162-927-11	s	CAPACITOR,CERAMIC 100PF/50V CH
C7207	1-125-837-91	s	CAPACITOR,CHIP CERAMIC1MF/6.3V
C7208	1-164-730-11	s	CAPACITOR,CERAMIC 1200RF (M-)
C7209	1-162-964-11	s	CAPACITOR,CERAMIC 1000PF/50V B
C7210	1-125-837-91	s	CAPACITOR,CHIP CERAMIC1MF/6.3V
C7211	1-126-935-11	s	CAPACITOR,ELECT 470MF/16V
C7212	1-107-826-11	s	CAPACITOR,CHIP CERAMIC 0.1MF
CN102	1-564-512-11	o	PLUG,CONNECTOR (9P)
CN103	1-564-512-11	o	PLUG,CONNECTOR (9P)
CN104	1-564-511-11	o	PLUG,CONNECTOR (8P)
CN105	1-564-511-11	o	PLUG,CONNECTOR (8P)
CN106	1-564-508-11	o	PLUG,CONNECTOR (5P)
CN230	1-764-333-11	o	PIN, CONNECTOR (10P)(V TYPE)
CN231	1-564-595-11	o	PLUG,CONNECTOR (14P)
CN450	1-564-711-11	o	PIN,CONNECTOR (9P)
CN451	1-564-522-11	o	PLUG,CONNECTOR (7P)(L-TYPE)
CN452	1-564-715-11	s	PIN, CONNECTOR (13P)
CN453	1-564-520-11	o	PLUG,CONNECTOR (5P)(L-TYPE)
CN454	1-564-705-11	o	PIN,CONNECTOR (3P)
D201	8-719-073-01	s	DIODE MA111-(K8).S0
D202	8-719-073-01	s	DIODE MA111-(K8).S0
D230	8-719-158-40	s	DIODE RD10SB1 (ZENER)
D231	8-719-073-01	s	DIODE MA111-(K8).S0
D232	8-719-073-01	s	DIODE MA111-(K8).S0
D233	8-719-073-01	s	DIODE MA111-(K8).S0
D234	8-719-073-01	s	DIODE MA111-(K8).S0
D235	8-719-073-01	s	DIODE MA111-(K8).S0
D236	8-719-037-00	s	DIODE RD6.2SB2-T1
D237	8-719-083-57	s	DIODE UDZSTE-173.6B
D238	8-719-083-57	s	DIODE UDZSTE-173.6B
D239	8-719-083-57	s	DIODE UDZSTE-173.6B
D301	8-719-073-01	s	DIODE MA111-(K8).S0
D401	8-719-801-78	s	DIODE 1SS184

(B BOARD (FOR PVM-20))

Ref. No. or Q'ty	Part No.	SP	Description
D450	8-719-159-13	s	DIODE RD5.1SB3-T2 (5MA)
D451	8-719-159-13	s	DIODE RD5.1SB3-T2 (5MA)
D452	8-719-159-13	s	DIODE RD5.1SB3-T2 (5MA)
D453	8-719-159-13	s	DIODE RD5.1SB3-T2 (5MA)
D454	8-719-159-13	s	DIODE RD5.1SB3-T2 (5MA)
D455	8-719-159-13	s	DIODE RD5.1SB3-T2 (5MA)
D456	8-719-159-13	s	DIODE RD5.1SB3-T2 (5MA)
D457	8-719-159-13	s	DIODE RD5.1SB3-T2 (5MA)
D458	8-719-159-13	s	DIODE RD5.1SB3-T2 (5MA)
D459	8-719-159-13	s	DIODE RD5.1SB3-T2 (5MA)
D460	8-719-159-13	s	DIODE RD5.1SB3-T2 (5MA)
D461	8-719-159-13	s	DIODE RD5.1SB3-T2 (5MA)
D462	8-719-159-13	s	DIODE RD5.1SB3-T2 (5MA)
D463	8-719-159-13	s	DIODE RD5.1SB3-T2 (5MA)
D464	8-719-159-13	s	DIODE RD5.1SB3-T2 (5MA)
D465	8-719-159-13	s	DIODE RD5.1SB3-T2 (5MA)
D466	8-719-037-23	s	DIODE RD12SB1-T1
FL101	1-239-183-11	s	FILTER,EMI
FL102	1-239-183-11	s	FILTER,EMI
FL103	1-239-183-11	s	FILTER,EMI
FL104	1-239-899-21	s	FILTER, CHIP EMI
FL105	1-239-899-21	s	FILTER, CHIP EMI
FL106	1-239-899-21	s	FILTER, CHIP EMI
FL107	1-239-397-11	s	FILTER, LOW PASS (8MHZ)
FL108	1-239-397-11	s	FILTER, LOW PASS (8MHZ)
FL109	1-239-397-11	s	FILTER, LOW PASS (8MHZ)
FL110	1-236-071-11	s	EMI FILTER
FL111	1-236-071-11	s	EMI FILTER
FL112	1-236-071-11	s	EMI FILTER
IC101	8-759-671-94	s	IC MC74HC4053AFEL
IC102	8-759-671-94	s	IC MC74HC4053AFEL
IC104	8-752-099-05	s	IC CXA2163AQ-T6
IC105	8-759-648-48	s	IC TC7W34FU(Te12R)
IC106	8-759-710-86	s	IC NJM2233BM
IC107	8-759-710-86	s	IC NJM2233BM
IC109	8-759-367-62	s	IC MC74HC157AFEL
IC111	8-759-436-89	s	IC MC141627FT
IC112	8-759-446-66	s	IC MM1113XFBE
IC113	8-759-446-66	s	IC MM1113XFBE
IC114	8-759-446-66	s	IC MM1113XFBE
IC115	8-759-988-13	s	IC LM393PS
IC231	8-752-067-05	s	IC CXA1739S
IC232	8-759-671-94	s	IC MC74HC4053AFEL
IC233	8-759-671-94	s	IC MC74HC4053AFEL
IC301	8-759-988-13	s	IC LM393PS
IC350	8-759-482-47	s	IC M62399FP (TE2)
IC351	8-759-482-47	s	IC M62399FP (TE2)
IC352	8-759-567-08	s	IC MB88141APF-ER
IC353	8-759-242-68	s	IC TC7W32F
IC355	8-759-239-34	s	IC TC74HC4538AF
IC356	8-759-038-15	s	IC MC74HC4538AF
IC357	8-759-058-64	s	IC TC7S32FU-TE85R
IC358	8-759-482-47	s	IC M62399FP (TE2)
IC401	8-759-058-62	s	IC TC7S08FU-TE85R
IC450	8-759-575-72	s	IC M24C08-WMN6T
IC451	6-803-987-01	s	IC UPD70F3033AYGC-M17-8EU
IC452	6-802-580-01	s	IC MB90096PF-G-248-BND-ER
IC453	6-704-319-01	s	IC S-80842CNNB-B83T2G
IC2301	8-759-448-71	s	IC BU4053BCFV-E2

(B BOARD (FOR PVM-20))

Ref. No. or Q'ty	Part No.	SP Description
IC2302	8-759-448-71	s IC BU4053BCFV-E2
IC7201	8-759-038-15	s IC MC74HC4538AF
IC7202	8-759-038-15	s IC MC74HC4538AF
IC7203	8-759-234-13	s IC TC4S30F
IC7204	8-759-209-69	s IC TC4S11F
IC7205	8-759-514-57	s IC BA7046F
JR102	1-216-864-11	s CONDUCTOR, CHIP (1608)
L101	1-408-619-31	s MICRO INDUCTOR 220UH
L102	1-408-599-31	s MICRO INDUCTOR 4.7UH
L103	1-408-599-31	s MICRO INDUCTOR 4.7UH
L104	1-408-599-31	s MICRO INDUCTOR 4.7UH
L105	1-408-599-31	s MICRO INDUCTOR 4.7UH
L106	1-408-599-31	s MICRO INDUCTOR 4.7UH
L110	1-406-665-11	s COIL CHOKE 100UH
L230	1-408-605-31	s MICRO INDUCTOR 15UH
L450	1-414-119-11	s INDUCTOR (SMALL TYPE) 22UH
L451	1-414-119-11	s INDUCTOR (SMALL TYPE) 22UH
L452	1-414-119-11	s INDUCTOR (SMALL TYPE) 22UH
L453	1-414-119-11	s INDUCTOR (SMALL TYPE) 22UH
L454	1-408-615-31	s MICRO INDUCTOR 100UH
Q101	1-801-806-11	s TRANSISTOR DTC144EKA
Q102	1-801-806-11	s TRANSISTOR DTC144EKA
Q103	1-801-806-11	s TRANSISTOR DTC144EKA
Q104	8-729-026-49	s TRANSISTOR 2SA1037AK-T146-R
Q105	8-729-026-49	s TRANSISTOR 2SA1037AK-T146-R
Q106	8-729-026-49	s TRANSISTOR 2SA1037AK-T146-R
Q107	8-729-026-49	s TRANSISTOR 2SA1037AK-T146-R
Q108	8-729-026-49	s TRANSISTOR 2SA1037AK-T146-R
Q109	8-729-026-49	s TRANSISTOR 2SA1037AK-T146-R
Q110	8-729-026-49	s TRANSISTOR 2SA1037AK-T146-R
Q111	8-729-026-49	s TRANSISTOR 2SA1037AK-T146-R
Q112	8-729-026-49	s TRANSISTOR 2SA1037AK-T146-R
Q113	8-729-120-28	s TRANSISTOR 2SC1623-L5L6
Q114	8-729-120-28	s TRANSISTOR 2SC1623-L5L6
Q115	8-729-120-28	s TRANSISTOR 2SC1623-L5L6
Q116	8-729-120-28	s TRANSISTOR 2SC1623-L5L6
Q117	1-801-806-11	s TRANSISTOR DTC144EKA
Q118	8-729-026-49	s TRANSISTOR 2SA1037AK-T146-R
Q119	8-729-026-49	s TRANSISTOR 2SA1037AK-T146-R
Q120	8-729-026-49	s TRANSISTOR 2SA1037AK-T146-R
Q121	8-729-026-49	s TRANSISTOR 2SA1037AK-T146-R
Q122	8-729-026-49	s TRANSISTOR 2SA1037AK-T146-R
Q123	8-729-026-49	s TRANSISTOR 2SA1037AK-T146-R
Q124	8-729-026-49	s TRANSISTOR 2SA1037AK-T146-R
Q125	8-729-026-49	s TRANSISTOR 2SA1037AK-T146-R
Q126	8-729-026-49	s TRANSISTOR 2SA1037AK-T146-R
Q130	1-801-806-11	s TRANSISTOR DTC144EKA
Q131	8-729-026-49	s TRANSISTOR 2SA1037AK-T146-R
Q132	8-729-026-49	s TRANSISTOR 2SA1037AK-T146-R
Q233	1-801-806-11	s TRANSISTOR DTC144EKA
Q234	1-801-806-11	s TRANSISTOR DTC144EKA
Q235	8-729-120-28	s TRANSISTOR 2SC1623-L5L6
Q236	8-729-026-49	s TRANSISTOR 2SA1037AK-T146-R
Q237	8-729-026-49	s TRANSISTOR 2SA1037AK-T146-R
Q238	8-729-026-49	s TRANSISTOR 2SA1037AK-T146-R
Q239	8-729-120-28	s TRANSISTOR 2SC1623-L5L6
Q240	8-729-026-49	s TRANSISTOR 2SA1037AK-T146-R
Q241	8-729-120-28	s TRANSISTOR 2SC1623-L5L6

(B BOARD (FOR PVM-20))

Ref. No. or Q'ty	Part No.	SP Description
Q242	1-801-806-11	s TRANSISTOR DTC144EKA
Q243	8-729-120-28	s TRANSISTOR 2SC1623-L5L6
Q244	8-729-120-28	s TRANSISTOR 2SC1623-L5L6
Q245	8-729-120-28	s TRANSISTOR 2SC1623-L5L6
Q246	8-729-026-49	s TRANSISTOR 2SA1037AK-T146-R
Q247	8-729-026-49	s TRANSISTOR 2SA1037AK-T146-R
Q248	8-729-026-49	s TRANSISTOR 2SA1037AK-T146-R
Q249	8-729-120-28	s TRANSISTOR 2SC1623-L5L6
Q250	8-729-120-28	s TRANSISTOR 2SC1623-L5L6
Q251	8-729-120-28	s TRANSISTOR 2SC1623-L5L6
Q252	8-729-026-49	s TRANSISTOR 2SA1037AK-T146-R
Q253	8-729-026-49	s TRANSISTOR 2SA1037AK-T146-R
Q254	8-729-026-49	s TRANSISTOR 2SA1037AK-T146-R
Q255	8-729-120-28	s TRANSISTOR 2SC1623-L5L6
Q256	8-729-120-28	s TRANSISTOR 2SC1623-L5L6
Q257	8-729-120-28	s TRANSISTOR 2SC1623-L5L6
Q258	8-729-120-28	s TRANSISTOR 2SC1623-L5L6
Q259	8-729-120-28	s TRANSISTOR 2SC1623-L5L6
Q260	8-729-120-28	s TRANSISTOR 2SC1623-L5L6
Q261	8-729-026-49	s TRANSISTOR 2SA1037AK-T146-R
Q262	8-729-026-49	s TRANSISTOR 2SA1037AK-T146-R
Q263	8-729-026-49	s TRANSISTOR 2SA1037AK-T146-R
Q366	8-729-120-28	s TRANSISTOR 2SC1623-L5L6
Q367	8-729-120-28	s TRANSISTOR 2SC1623-L5L6
Q450	1-801-806-11	s TRANSISTOR DTC144EKA
Q451	1-801-806-11	s TRANSISTOR DTC144EKA
Q452	1-801-806-11	s TRANSISTOR DTC144EKA
Q453	1-801-806-11	s TRANSISTOR DTC144EKA
Q454	1-801-806-11	s TRANSISTOR DTC144EKA
Q455	1-801-806-11	s TRANSISTOR DTC144EKA
Q456	1-801-806-11	s TRANSISTOR DTC144EKA
Q457	1-801-806-11	s TRANSISTOR DTC144EKA
Q458	1-801-806-11	s TRANSISTOR DTC144EKA
Q459	1-801-806-11	s TRANSISTOR DTC144EKA
Q460	8-729-027-38	s TRANSISTOR DTA144EKA-T146
Q461	1-801-806-11	s TRANSISTOR DTC144EKA
Q462	1-801-806-11	s TRANSISTOR DTC144EKA
Q463	1-801-806-11	s TRANSISTOR DTC144EKA
Q501	8-729-026-49	s TRANSISTOR 2SA1037AK-T146-R
Q502	8-729-026-49	s TRANSISTOR 2SA1037AK-T146-R
Q503	8-729-026-49	s TRANSISTOR 2SA1037AK-T146-R
Q7201	1-801-806-11	s TRANSISTOR DTC144EKA
R100	1-216-864-11	s CONDUCTOR, CHIP (1608)
R101	1-216-809-11	s RESISTOR,CHIP 100 1/10W 1608
R102	1-216-809-11	s RESISTOR,CHIP 100 1/10W 1608
R103	1-216-809-11	s RESISTOR,CHIP 100 1/10W 1608
R104	1-216-809-11	s RESISTOR,CHIP 100 1/10W 1608
R105	1-216-809-11	s RESISTOR,CHIP 100 1/10W 1608
R106	1-216-809-11	s RESISTOR,CHIP 100 1/10W 1608
R107	1-216-821-11	s RESISTOR,CHIP 1.0K 1/10W(1608)
R108	1-216-845-11	s RESISTOR,CHIP 100K 1/10W(1608)
R109	1-216-845-11	s RESISTOR,CHIP 100K 1/10W(1608)
R113	1-218-881-11	s RESISTOR, CHIP 27K 1/10W(1608)
R114	1-216-828-11	s RESISTOR, CHIP 3.9K 1/10W 1608
R115	1-216-821-11	s RESISTOR,CHIP 1.0K 1/10W(1608)
R116	1-216-855-11	s RESISTOR, CHIP 680K 1/10W 1608
R117	1-216-805-11	s RESISTOR,CHIP 47 1/10W 1608
R118	1-216-809-11	s RESISTOR,CHIP 100 1/10W 1608
R119	1-216-805-11	s RESISTOR,CHIP 47 1/10W 1608

(B BOARD (FOR PVM-20))

Ref. No. or Q'ty	Part No.	SP	Description
R120	1-216-809-11	s	RESISTOR,CHIP 100 1/10W 1608
R121	1-216-821-11	s	RESISTOR,CHIP 1.0K 1/10W(1608)
R122	1-216-821-11	s	RESISTOR,CHIP 1.0K 1/10W(1608)
R123	1-216-821-11	s	RESISTOR,CHIP 1.0K 1/10W(1608)
R124	1-216-821-11	s	RESISTOR,CHIP 1.0K 1/10W(1608)
R125	1-216-797-11	s	RESISTOR,CHIP 10 1/10W 1608
R126	1-216-825-11	s	RESISTOR,CHIP 2.2K 1/10W 1608
R127	1-216-797-11	s	RESISTOR,CHIP 10 1/10W 1608
R128	1-216-811-11	s	RESISTOR, CHIP 150 1/16W(1608)
R129	1-216-811-11	s	RESISTOR, CHIP 150 1/16W(1608)
R130	1-216-811-11	s	RESISTOR, CHIP 150 1/16W(1608)
R131	1-216-819-11	s	RESISTOR,CHIP 680 1/10W 1608
R132	1-216-819-11	s	RESISTOR,CHIP 680 1/10W 1608
R133	1-216-819-11	s	RESISTOR,CHIP 680 1/10W 1608
R134	1-216-845-11	s	RESISTOR,CHIP 100K 1/10W(1608)
R135	1-216-830-11	s	RESISTOR,CHIP 5.6K 1/10W 1608
R136	1-216-830-11	s	RESISTOR,CHIP 5.6K 1/10W 1608
R137	1-216-830-11	s	RESISTOR,CHIP 5.6K 1/10W 1608
R138	1-216-821-11	s	RESISTOR,CHIP 1.0K 1/10W(1608)
R139	1-216-845-11	s	RESISTOR,CHIP 100K 1/10W(1608)
R140	1-216-845-11	s	RESISTOR,CHIP 100K 1/10W(1608)
R141	1-216-833-11	s	RESISTOR,CHIP 10K 1/10W (1608)
R142	1-216-845-11	s	RESISTOR,CHIP 100K 1/10W(1608)
R143	1-216-809-11	s	RESISTOR,CHIP 100 1/10W 1608
R144	1-216-833-11	s	RESISTOR,CHIP 10K 1/10W (1608)
R146	1-216-805-11	s	RESISTOR,CHIP 47 1/10W 1608
R147	1-216-845-11	s	RESISTOR,CHIP 100K 1/10W(1608)
R148	1-216-820-11	s	RESISTOR, CHIP 820 1/10W 1608
R149	1-216-820-11	s	RESISTOR, CHIP 820 1/10W 1608
R150	1-216-820-11	s	RESISTOR, CHIP 820 1/10W 1608
R151	1-216-821-11	s	RESISTOR,CHIP 1.0K 1/10W(1608)
R152	1-216-845-11	s	RESISTOR,CHIP 100K 1/10W(1608)
R153	1-216-821-11	s	RESISTOR,CHIP 1.0K 1/10W(1608)
R154	1-218-835-11	s	RESISTOR,CHIP 330 1/10W (1608)
R155	1-211-986-11	s	RESISTOR,CHIP 51 1/10W (1608)
R156	1-216-864-11	s	CONDUCTOR, CHIP (1608)
R157	1-216-813-11	s	RESISTOR, CHIP 220 1/10W 1608
R159	1-216-821-11	s	RESISTOR,CHIP 1.0K 1/10W(1608)
R160	1-218-886-11	s	RESISTOR,CHIP 43K 1/10W (1608)
R161	1-216-821-11	s	RESISTOR,CHIP 1.0K 1/10W(1608)
R162	1-216-825-11	s	RESISTOR,CHIP 2.2K 1/10W 1608
R163	1-216-821-11	s	RESISTOR,CHIP 1.0K 1/10W(1608)
R164	1-216-825-11	s	RESISTOR,CHIP 2.2K 1/10W 1608
R165	1-216-855-11	s	RESISTOR, CHIP 680K 1/10W 1608
R166	1-216-821-11	s	RESISTOR,CHIP 1.0K 1/10W(1608)
R167	1-216-841-11	s	RESISTOR, CHIP 47K 1/10W 1608
R168	1-211-989-11	s	RESISTOR,CHIP 68 1/10W (1608)
R169	1-216-830-11	s	RESISTOR,CHIP 5.6K 1/10W 1608
R171	1-216-830-11	s	RESISTOR,CHIP 5.6K 1/10W 1608
R172	1-216-821-11	s	RESISTOR,CHIP 1.0K 1/10W(1608)
R173	1-216-818-11	s	RESISTOR, CHIP 560 1/10W 1608
R177	1-216-813-11	s	RESISTOR, CHIP 220 1/10W 1608
R178	1-216-833-11	s	RESISTOR,CHIP 10K 1/10W (1608)
R179	1-216-821-11	s	RESISTOR,CHIP 1.0K 1/10W(1608)
R180	1-216-845-11	s	RESISTOR,CHIP 100K 1/10W(1608)
R181	1-216-818-11	s	RESISTOR, CHIP 560 1/10W 1608
R182	1-216-818-11	s	RESISTOR, CHIP 560 1/10W 1608
R184	1-216-830-11	s	RESISTOR,CHIP 5.6K 1/10W 1608
R185	1-216-821-11	s	RESISTOR,CHIP 1.0K 1/10W(1608)
R186	1-218-867-11	s	RESISTOR,CHIP 6.8K 1/10W(1608)

(B BOARD (FOR PVM-20))

Ref. No. or Q'ty	Part No.	SP	Description
R187	1-218-885-11	s	RESISTOR,CHIP 39K 1/10W (1608)
R188	1-216-813-11	s	RESISTOR, CHIP 220 1/10W 1608
R189	1-218-855-11	s	RESISTOR,CHIP 2.2K 1/10W(1608)
R190	1-216-809-11	s	RESISTOR,CHIP 100 1/10W 1608
R191	1-216-821-11	s	RESISTOR,CHIP 1.0K 1/10W(1608)
R192	1-216-821-11	s	RESISTOR,CHIP 1.0K 1/10W(1608)
R193	1-216-821-11	s	RESISTOR,CHIP 1.0K 1/10W(1608)
R194	1-216-821-11	s	RESISTOR,CHIP 1.0K 1/10W(1608)
R195	1-216-833-11	s	RESISTOR,CHIP 10K 1/10W (1608)
R196	1-216-813-11	s	RESISTOR, CHIP 220 1/10W 1608
R197	1-216-809-11	s	RESISTOR,CHIP 100 1/10W 1608
R198	1-216-809-11	s	RESISTOR,CHIP 100 1/10W 1608
R200	1-216-833-11	s	RESISTOR,CHIP 10K 1/10W(1608)
R201	1-216-821-11	s	RESISTOR,CHIP 1.0K 1/10W(1608)
R202	1-216-809-11	s	RESISTOR,CHIP 100 1/10W 1608
R203	1-216-809-11	s	RESISTOR,CHIP 100 1/10W 1608
R204	1-216-809-11	s	RESISTOR,CHIP 100 1/10W 1608
R205	1-216-805-11	s	RESISTOR,CHIP 47 1/10W 1608
R206	1-216-805-11	s	RESISTOR,CHIP 47 1/10W 1608
R207	1-216-805-11	s	RESISTOR,CHIP 47 1/10W 1608
R208	1-216-821-11	s	RESISTOR,CHIP 1.0K 1/10W(1608)
R209	1-216-821-11	s	RESISTOR,CHIP 1.0K 1/10W(1608)
R210	1-216-821-11	s	RESISTOR,CHIP 1.0K 1/10W(1608)
R211	1-216-809-11	s	RESISTOR,CHIP 100 1/10W 1608
R212	1-216-809-11	s	RESISTOR,CHIP 100 1/10W 1608
R213	1-216-809-11	s	RESISTOR,CHIP 100 1/10W 1608
R214	1-216-821-11	s	RESISTOR,CHIP 1.0K 1/10W(1608)
R215	1-218-870-11	s	RESISTOR,CHIP 9.1K 1/10W(1608)
R216	1-218-879-11	s	RESISTOR,CHIP 22K 1/10W (1608)
R217	1-216-864-11	s	CONDUCTOR, CHIP (1608)
R218	1-216-833-11	s	RESISTOR,CHIP 10K 1/10W (1608)
R219	1-216-837-11	s	RESISTOR,CHIP 22K 1/16W 1608
R220	1-216-839-11	s	RESISTOR,CHIP 33K 1/10W 1608
R221	1-218-867-11	s	RESISTOR,CHIP 6.8K 1/10W(1608)
R222	1-216-817-11	s	RESISTOR,CHIP 470 1/10W 1608
R223	1-216-829-11	s	RESISTOR,CHIP 4.7K 1/10W(1608)
R224	1-216-864-11	s	CONDUCTOR, CHIP (1608)
R229	1-216-864-11	s	CONDUCTOR, CHIP (1608)
R236	1-216-833-11	s	RESISTOR,CHIP 10K 1/10W (1608)
R237	1-216-809-11	s	RESISTOR,CHIP 100 1/10W 1608
R238	1-218-845-11	s	RESISTOR,CHIP 820 1/10W (1608)
R239	1-216-809-11	s	RESISTOR,CHIP 100 1/10W 1608
R240	1-216-837-11	s	RESISTOR,CHIP 22K 1/10W (1608)
R241	1-216-836-11	s	RESISTOR,CHIP 18K 1/10W (1608)
R242	1-216-809-11	s	RESISTOR,CHIP 100 1/10W 1608
R243	1-216-809-11	s	RESISTOR,CHIP 100 1/10W 1608
R244	1-216-809-11	s	RESISTOR,CHIP 100 1/10W 1608
R245	1-216-809-11	s	RESISTOR,CHIP 100 1/10W 1608
R246	1-216-809-11	s	RESISTOR,CHIP 100 1/10W 1608
R247	1-218-853-11	s	RESISTOR,CHIP 1.8K 1/10W(1608)
R248	1-216-822-11	s	RESISTOR, CHIP 1.2K 1/10W 1608
R249	1-216-828-11	s	RESISTOR, CHIP 3.9K 1/10W 1608
R254	1-216-821-11	s	RESISTOR,CHIP 1.0K 1/10W(1608)
R255	1-216-864-11	s	CONDUCTOR, CHIP (1608)
R256	1-216-829-11	s	RESISTOR,CHIP 4.7K 1/10W(1608)
R257	1-216-827-11	s	RESISTOR, CHIP 3.3K 1/10W 1608
R258	1-216-828-11	s	RESISTOR, CHIP 3.9K 1/10W 1608
R259	1-216-829-11	s	RESISTOR,CHIP 4.7K 1/10W(1608)
R260	1-218-869-11	s	RESISTOR,CHIP 8.2K 1/10W(1608)
R261	1-216-809-11	s	RESISTOR,CHIP 100 1/10W 1608

(B BOARD (FOR PVM-20))

Ref. No. or Q'ty	Part No.	SP	Description
R262	1-216-853-11	s	RESISTOR,CHIP 470K 1/16W(1608)
R263	1-216-809-11	s	RESISTOR,CHIP 100 1/10W 1608
R264	1-218-871-11	s	RESISTOR,CHIP 10K 1/10W (1608)
R265	1-216-849-11	s	RESISTOR,CHIP 220K 1/16W 1608
R266	1-216-844-11	s	RESISTOR,CHIP 82K 1/16W 1608
R267	1-216-853-11	s	RESISTOR,CHIP 470K 1/16W(1608)
R268	1-216-864-11	s	CONDUCTOR, CHIP (1608)
R269	1-216-839-11	s	RESISTOR,CHIP 33K 1/10W 1608
R270	1-216-851-11	s	RESISTOR,CHIP 330K 1/16W 1608
R271	1-218-917-11	s	RESISTOR,CHIP 820K 1/10W(1608)
R272	1-216-840-11	s	RESISTOR,CHIP 39K 1/10W 1608
R273	1-216-864-11	s	CONDUCTOR, CHIP (1608)
R274	1-216-845-11	s	RESISTOR,CHIP 100K 1/10W(1608)
R275	1-216-838-11	s	RESISTOR CHIP 27K 1/10W(1608)
R276	1-216-809-11	s	RESISTOR,CHIP 100 1/10W 1608
R277	1-216-839-11	s	RESISTOR,CHIP 33K 1/10W 1608
R278	1-216-853-11	s	RESISTOR,CHIP 470K 1/16W(1608)
R279	1-218-883-11	s	RESISTOR,CHIP 33K 1/10W (1608)
R280	1-216-839-11	s	RESISTOR,CHIP 33K 1/10W 1608
R281	1-218-883-11	s	RESISTOR,CHIP 33K 1/10W (1608)
R282	1-216-839-11	s	RESISTOR,CHIP 33K 1/10W 1608
R283	1-218-883-11	s	RESISTOR,CHIP 33K 1/10W (1608)
R284	1-216-839-11	s	RESISTOR,CHIP 33K 1/10W 1608
R285	1-216-857-11	s	RESISTOR,CHIP 1M 1/10W(1608)
R286	1-216-828-11	s	RESISTOR, CHIP 3.9K 1/10W 1608
R287	1-216-828-11	s	RESISTOR, CHIP 3.9K 1/10W 1608
R288	1-216-828-11	s	RESISTOR, CHIP 3.9K 1/10W 1608
R291	1-216-809-11	s	RESISTOR,CHIP 100 1/10W 1608
R292	1-218-873-11	s	RESISTOR,CHIP 12K 1/10W (1608)
R293	1-216-841-11	s	RESISTOR, CHIP 47K 1/10W 1608
R294	1-216-809-11	s	RESISTOR,CHIP 100 1/10W 1608
R295	1-218-873-11	s	RESISTOR,CHIP 12K 1/10W (1608)
R296	1-218-893-11	s	RESISTOR, CHIP 82K 1/10W(1608)
R297	1-216-839-11	s	RESISTOR,CHIP 33K 1/10W 1608
R299	1-218-879-11	s	RESISTOR,CHIP 22K 1/10W (1608)
R300	1-218-911-11	s	RESISTOR,CHIP 470K 1/10W(1608)
R301	1-216-833-11	s	RESISTOR,CHIP 10K 1/10W (1608)
R302	1-216-845-11	s	RESISTOR,CHIP 100K 1/10W(1608)
R303	1-216-809-11	s	RESISTOR,CHIP 100 1/10W 1608
R304	1-216-809-11	s	RESISTOR,CHIP 100 1/10W 1608
R305	1-216-809-11	s	RESISTOR,CHIP 100 1/10W 1608
R306	1-216-805-11	s	RESISTOR,CHIP 47 1/10W 1608
R307	1-216-805-11	s	RESISTOR,CHIP 47 1/10W 1608
R308	1-216-805-11	s	RESISTOR,CHIP 47 1/10W 1608
R309	1-216-821-11	s	RESISTOR,CHIP 1.0K 1/10W(1608)
R310	1-216-817-11	s	RESISTOR,CHIP 470 1/10W 1608
R311	1-216-817-11	s	RESISTOR,CHIP 470 1/10W 1608
R312	1-216-817-11	s	RESISTOR,CHIP 470 1/10W 1608
R313	1-216-821-11	s	RESISTOR,CHIP 1.0K 1/10W(1608)
R314	1-216-821-11	s	RESISTOR,CHIP 1.0K 1/10W(1608)
R315	1-216-821-11	s	RESISTOR,CHIP 1.0K 1/10W(1608)
R316	1-216-821-11	s	RESISTOR,CHIP 1.0K 1/10W(1608)
R317	1-216-821-11	s	RESISTOR,CHIP 1.0K 1/10W(1608)
R318	1-216-809-11	s	RESISTOR,CHIP 100 1/10W 1608
R319	1-211-981-11	s	RESISTOR,CHIP 33 1/10W (1608)
R320	1-211-981-11	s	RESISTOR,CHIP 33 1/10W (1608)
R321	1-216-809-11	s	RESISTOR,CHIP 100 1/10W 1608
R322	1-211-981-11	s	RESISTOR,CHIP 33 1/10W (1608)
R323	1-216-809-11	s	RESISTOR,CHIP 100 1/10W 1608
R324	1-216-817-11	s	RESISTOR,CHIP 470 1/10W 1608

(B BOARD (FOR PVM-20))

Ref. No. or Q'ty	Part No.	SP	Description
R325	1-216-817-11	s	RESISTOR,CHIP 470 1/10W 1608
R326	1-216-817-11	s	RESISTOR,CHIP 470 1/10W 1608
R327	1-216-833-11	s	RESISTOR,CHIP 10K 1/10W (1608)
R328	1-216-833-11	s	RESISTOR,CHIP 10K 1/10W (1608)
R329	1-216-833-11	s	RESISTOR,CHIP 10K 1/10W (1608)
R330	1-216-845-11	s	RESISTOR,CHIP 100K 1/10W(1608)
R331	1-216-845-11	s	RESISTOR,CHIP 100K 1/10W(1608)
R332	1-216-845-11	s	RESISTOR,CHIP 100K 1/10W(1608)
R333	1-216-821-11	s	RESISTOR,CHIP 1.0K 1/10W(1608)
R334	1-216-821-11	s	RESISTOR,CHIP 1.0K 1/10W(1608)
R335	1-216-829-11	s	RESISTOR,CHIP 4.7K 1/10W(1608)
R336	1-216-821-11	s	RESISTOR,CHIP 1.0K 1/10W(1608)
R337	1-216-821-11	s	RESISTOR,CHIP 1.0K 1/10W(1608)
R338	1-216-829-11	s	RESISTOR,CHIP 4.7K 1/10W(1608)
R339	1-216-821-11	s	RESISTOR,CHIP 1.0K 1/10W(1608)
R340	1-216-821-11	s	RESISTOR,CHIP 1.0K 1/10W(1608)
R341	1-216-829-11	s	RESISTOR,CHIP 4.7K 1/10W(1608)
R342	1-216-821-11	s	RESISTOR,CHIP 1.0K 1/10W(1608)
R343	1-216-821-11	s	RESISTOR,CHIP 1.0K 1/10W(1608)
R344	1-216-821-11	s	RESISTOR,CHIP 1.0K 1/10W(1608)
R345	1-216-833-11	s	RESISTOR,CHIP 10K 1/10W (1608)
R346	1-216-849-11	s	RESISTOR,CHIP 220K 1/16W 1608
R347	1-216-841-11	s	RESISTOR, CHIP 47K 1/10W 1608
R348	1-216-861-11	s	RESISTOR,CHIP 2.2M 1/16W 1608
R350	1-216-830-11	s	RESISTOR,CHIP 5.6K 1/10W 1608
R351	1-216-833-11	s	RESISTOR,CHIP 10K 1/10W
R352	1-216-827-11	s	RESISTOR, CHIP 3.3K 1/10W 1608
R353	1-216-864-11	s	CONDUCTOR, CHIP (1608)
R354	1-216-797-11	s	RESISTOR,CHIP 10 1/10W 1608
R355	1-216-797-11	s	RESISTOR,CHIP 10 1/10W 1608
R356	1-216-832-11	s	RESISTOR,CHIP 8.2K 1/16W 1608
R357	1-216-862-11	s	RESISTOR,CHIP 2.7M 1/16W 1608
R358	1-216-832-11	s	RESISTOR,CHIP 8.2K 1/16W 1608
R359	1-216-862-11	s	RESISTOR,CHIP 2.7M 1/16W 1608
R360	1-216-862-11	s	RESISTOR,CHIP 2.7M 1/16W 1608
R361	1-216-832-11	s	RESISTOR,CHIP 8.2K 1/16W 1608
R362	1-216-862-11	s	RESISTOR,CHIP 2.7M 1/16W 1608
R363	1-216-832-11	s	RESISTOR,CHIP 8.2K 1/16W 1608
R364	1-216-797-11	s	RESISTOR,CHIP 10 1/10W 1608
R365	1-216-797-11	s	RESISTOR,CHIP 10 1/10W 1608
R366	1-216-832-11	s	RESISTOR,CHIP 8.2K 1/16W 1608
R367	1-216-862-11	s	RESISTOR,CHIP 2.7M 1/16W 1608
R368	1-216-832-11	s	RESISTOR,CHIP 8.2K 1/16W 1608
R369	1-216-862-11	s	RESISTOR,CHIP 2.7M 1/16W 1608
R370	1-216-797-11	s	RESISTOR,CHIP 10 1/10W 1608
R371	1-218-889-11	s	RESISTOR,CHIP 56K 1/10W(1608)
R372	1-216-797-11	s	RESISTOR,CHIP 10 1/10W 1608
R374	1-216-825-11	s	RESISTOR,CHIP 2.2K 1/10W 1608
R375	1-218-885-11	s	RESISTOR,CHIP 39K 1/10W (1608)
R376	1-218-871-11	s	RESISTOR,CHIP 10K 1/10W (1608)
R377	1-216-821-11	s	RESISTOR,CHIP 1.0K 1/10W(1608)
R380	1-216-864-11	s	CONDUCTOR, CHIP (1608)
R388	1-216-821-11	s	RESISTOR,CHIP 1.0K 1/10W(1608)
R389	1-216-821-11	s	RESISTOR,CHIP 1.0K 1/10W(1608)
R396	1-218-871-11	s	RESISTOR,CHIP 10K 1/10W (1608)
R398	1-216-864-11	s	CONDUCTOR, CHIP (1608)
R405	1-216-821-11	s	RESISTOR,CHIP 1.0K 1/10W (1608)
R406	1-218-873-11	s	RESISTOR,CHIP 12K 1/10W (1608)
R412	1-218-891-11	s	RESISTOR,CHIP 68K 1/10W (1608)
R414	1-216-821-11	s	RESISTOR,CHIP 1.0K 1/10W(1608)

(B BOARD (FOR PVM-20))

Ref. No. or Q'ty	Part No.	SP	Description
R567	1-216-809-11	s	RESISTOR,CHIP 100 1/10W 1608
R568	1-216-809-11	s	RESISTOR,CHIP 100 1/10W 1608
R569	1-216-825-11	s	RESISTOR,CHIP 2.2K 1/10W 1608
R570	1-216-825-11	s	RESISTOR,CHIP 2.2K 1/10W 1608
R571	1-216-825-11	s	RESISTOR,CHIP 2.2K 1/10W 1608
R572	1-216-825-11	s	RESISTOR,CHIP 2.2K 1/10W 1608
R573	1-216-825-11	s	RESISTOR,CHIP 2.2K 1/10W 1608
R574	1-216-825-11	s	RESISTOR,CHIP 2.2K 1/10W 1608
R575	1-218-831-11	s	RESISTOR,CHIP 220 1/10W(1608)
R576	1-218-829-11	s	RESISTOR,CHIP 180 1/10W (1608)
R577	1-216-813-11	s	RESISTOR,CHIP 220 1/10W 1608
R578	1-216-815-11	s	RESISTOR,CHIP 330 1/10W 1608
R579	1-216-821-11	s	RESISTOR,CHIP 1.0K 1/10W(1608)
R580	1-216-821-11	s	RESISTOR,CHIP 1.0K 1/10W(1608)
R581	1-216-821-11	s	RESISTOR,CHIP 1.0K 1/10W(1608)
R582	1-216-809-11	s	RESISTOR,CHIP 100 1/10W 1608
R583	1-216-809-11	s	RESISTOR,CHIP 100 1/10W 1608
R584	1-216-864-11	s	CONDUCTOR,CHIP (1608)
R585	1-216-864-11	s	CONDUCTOR,CHIP (1608)
R588	1-216-809-11	s	RESISTOR,CHIP 100 1/10W 1608
R589	1-216-825-11	s	RESISTOR,CHIP 2.2K 1/10W 1608
R594	1-216-809-11	s	RESISTOR,CHIP 100 1/10W 1608
R595	1-216-825-11	s	RESISTOR,CHIP 2.2K 1/10W 1608
R1501	1-216-809-11	s	RESISTOR,CHIP 100 1/10W 1608
R1502	1-216-825-11	s	RESISTOR,CHIP 2.2K 1/10W 1608
R1505	1-216-821-11	s	RESISTOR,CHIP 1.0K 1/10W(1608)
R1506	1-216-821-11	s	RESISTOR,CHIP 1.0K 1/10W(1608)
R1507	1-216-821-11	s	RESISTOR,CHIP 1.0K 1/10W(1608)
R1511	1-216-821-11	s	RESISTOR,CHIP 1.0K 1/10W(1608)
R2316	1-216-864-11	s	CONDUCTOR,CHIP (1608)
R2318	1-216-864-11	s	CONDUCTOR,CHIP (1608)
R2319	1-216-864-11	s	CONDUCTOR,CHIP (1608)
R2320	1-216-864-11	s	CONDUCTOR,CHIP (1608)
R2321	1-216-864-11	s	CONDUCTOR,CHIP (1608)
R2322	1-216-864-11	s	CONDUCTOR,CHIP (1608)
R2323	1-216-864-11	s	CONDUCTOR,CHIP (1608)
R2324	1-216-864-11	s	CONDUCTOR,CHIP (1608)
R2325	1-216-864-11	s	CONDUCTOR,CHIP (1608)
R2326	1-216-864-11	s	CONDUCTOR,CHIP (1608)
R2327	1-216-839-11	s	RESISTOR,CHIP 33K 1/10W 1608
R2328	1-216-839-11	s	RESISTOR,CHIP 33K 1/10W 1608
R7201	1-218-879-11	s	RESISTOR,CHIP 22K 1/10W (1608)
R7202	1-218-880-11	s	RESISTOR,CHIP 24K 1/10W (1608)
R7203	1-218-883-11	s	RESISTOR,CHIP 33K 1/10W (1608)
R7204	1-218-889-11	s	RESISTOR,CHIP 56K 1/10W(1608)
R7206	1-216-829-11	s	RESISTOR,CHIP 4.7K 1/10W(1608)
R7207	1-216-823-11	s	RESISTOR,CHIP 1.5K 1/10W
R7208	1-216-853-11	s	RESISTOR,CHIP 470K 1/16W(1608)
R7209	1-218-743-11	s	RESISTOR,CHIP 130K 1/16W(1608)
R7210	1-216-837-11	s	RESISTOR,CHIP 22K 1/16W 1608
R7211	1-216-853-11	s	RESISTOR,CHIP 470K 1/16W(1608)
R7212	1-216-815-11	s	RESISTOR,CHIP 330 1/10W 1608
R7220	1-218-892-11	s	RESISTOR,CHIP 75K 1/10W (1608)
S450	1-771-795-11	s	SWITCH,SLIDE
TP101	1-535-877-22	s	CHIP,CHECKER (TEST POINT)
TP102	1-535-877-22	s	CHIP,CHECKER (TEST POINT)
TP103	1-535-877-22	s	CHIP,CHECKER (TEST POINT)
TP104	1-535-877-22	s	CHIP,CHECKER (TEST POINT)
TP105	1-535-877-22	s	CHIP,CHECKER (TEST POINT)

(B BOARD (FOR PVM-20))

Ref. No. or Q'ty	Part No.	SP	Description
TP106	1-535-877-22	s	CHIP,CHECKER (TEST POINT)
TP107	1-535-877-22	s	CHIP,CHECKER (TEST POINT)
TP111	1-535-877-22	s	CHIP,CHECKER (TEST POINT)
TP112	1-535-877-22	s	CHIP,CHECKER (TEST POINT)
TP113	1-535-877-22	s	CHIP,CHECKER (TEST POINT)
TP114	1-535-877-22	s	CHIP,CHECKER (TEST POINT)
TP115	1-535-877-22	s	CHIP,CHECKER (TEST POINT)
TP116	1-535-877-22	s	CHIP,CHECKER (TEST POINT)
TP117	1-535-877-22	s	CHIP,CHECKER (TEST POINT)
TP230	1-535-877-22	s	CHIP,CHECKER (TEST POINT)
TP350	1-535-877-22	s	CHIP,CHECKER (TEST POINT)
TP351	1-535-877-22	s	CHIP,CHECKER (TEST POINT)
TP352	1-535-877-22	s	CHIP,CHECKER (TEST POINT)
TP353	1-535-877-22	s	CHIP,CHECKER (TEST POINT)
X101	1-781-914-21	s	VIBRATOR,CRYSTAL (16.2MHz)
X450	1-767-467-11	s	VIBRATOR,CRYSTAL (16.9344MHz)

B1 BOARD			

Ref. No. or Q'ty	Part No.	SP	Description
C7201	1-162-927-11	s	CAPACITOR,CERAMIC 100PF/50V CH
C7202	1-164-218-11	s	CAPACITOR,CERAMIC 180PF/50V CH
C7203	1-164-730-11	s	CAPACITOR,CERAMIC 1200PF (M-)
C7204	1-107-826-11	s	CAPACITOR,CHIP CERAMIC 0.1MF
C7205	1-162-968-11	s	CAPACITOR,CERAMIC 4700PF/50V B
C7206	1-162-927-11	s	CAPACITOR,CERAMIC 100PF/50V CH
C7207	1-125-837-11	s	CAPACITOR,CHIP CERAMIC 1MF/6.3V
C7208	1-162-966-11	s	CAPACITOR,CERAMIC 2200PF/50V B
C7209	1-162-964-11	s	CAPACITOR,CERAMIC 1000PF/50V B
C7210	1-125-837-11	s	CAPACITOR,CHIP CERAMIC 1MF/6.3V
C7211	1-126-935-11	s	CAPACITOR,ELECT 470MF/16V
C7212	1-107-826-11	s	CAPACITOR,CHIP CERAMIC 0.1MF
IC7201	8-759-038-15	s	IC MC74HC4538AF
IC7202	8-759-038-15	s	IC MC74HC4538AF
IC7203	8-759-234-13	s	IC TC4S30F(TE85R)
IC7204	8-759-209-69	s	IC TC4S11F
IC7205	8-759-514-57	s	IC BA7046F
Q7201	1-801-806-11	s	TRANSISTOR DTC144EKA
R7201	1-218-879-11	s	RESISTOR,CHIP 22K 1/10W (1608)
R7202	1-218-880-11	s	RESISTOR,CHIP 24K 1/10W (1608)
R7203	1-218-883-11	s	RESISTOR,CHIP 33K 1/10W (1608)
R7204	1-218-889-11	s	RESISTOR,CHIP 56K 1/10W(1608)
R7206	1-216-829-11	s	RESISTOR,CHIP 4.7K 1/10W(1608)
R7207	1-216-823-11	s	RESISTOR,CHIP 1.5K 1/10W
R7208	1-216-853-11	s	RESISTOR,CHIP 470K 1/16W(1608)
R7209	1-218-743-11	s	RESISTOR,CHIP 130K 1/16W(1608)
R7210	1-216-833-11	s	RESISTOR,CHIP 10K 1/10W (1608)
R7211	1-216-853-11	s	RESISTOR,CHIP 470K 1/16W(1608)
R7212	1-216-815-11	s	RESISTOR,CHIP 330 1/10W 1608
R7220	1-218-892-11	s	RESISTOR,CHIP 75K 1/10W (1608)

 C BOARD (FOR PVM-14)

Ref. No. or Q'ty	Part No.	SP	Description
1pc	A-1410-505-A	s	MOUNTED CIRCUIT BOARD, C
3pcs	7-682-949-09	s	SCREW +PSW 3X10(EP-FE/ZNBK/CM2
C701	1-102-157-00	s	CAPACITOR,CERAMIC;500V/560PF B
C702	1-102-114-00	s	CAPACITOR,CERAMIC;50V/470PF(B)
C703	1-102-157-00	s	CAPACITOR,CERAMIC;500V/560PF B
C704	1-102-121-00	s	CAPACITOR,CERAMIC 0.0022MF/50V
C705	1-126-968-11	s	CAPACITOR,ELECT 100MF/50V
C706	1-102-074-00	s	CAPACITOR,CERAMIC;50V/0.001MF
C707	1-162-116-00	s	CAPACITOR,CERAMIC 680PF/2KVDC
C708	1-130-338-11	s	0APACITOR,FILM 0.01MF/630V(PP)
C710	1-102-816-00	s	CAPACITOR,CERAMIC 120PF/50V
C711	1-102-816-00	s	CAPACITOR,CERAMIC 120PF/50V
C712	1-102-816-00	s	CAPACITOR,CERAMIC 120PF/50V
C713	1-107-655-11	s	CAPACITOR ELECT 47MF/250V
C714	1-102-976-00	s	CAPACITOR,CERAMIC 180PF/50V SL
C715	1-102-976-00	s	CAPACITOR,CERAMIC 180PF/50V SL
C716	1-102-976-00	s	CAPACITOR,CERAMIC 180PF/50V SL
C717	1-107-655-11	s	CAPACITOR, ELECT 47MF/250V
C718	1-117-450-11	s	CAP, METALIZED PE FILM 0.47MF
C720	1-136-187-11	s	CAPACITOR,FILM 0.047MF/250V
C734	1-102-973-00	s	CAPACITOR,CERAMIC 100PF/50V
C735	1-102-816-00	s	CAPACITOR,CERAMIC 120PF/50V
C736	1-101-888-00	s	CAPACITOR,CERAMIC 68PF/50V
CN701	1-564-525-11	o	PLUG,CONNECTOR (10P)(L-TYPE)
CN702	1-573-963-11	o	PIN,CONNECTOR (PC BOARD) 3P
CN703	1-695-915-11	s	TAB (CONTACT)
CN704	1-691-134-11	o	PIN,CONNECTOR(PC BOARD)2P
CN705	1-695-915-11	s	TAB (CONTACT)
CN706	1-695-915-11	s	TAB (CONTACT)
D701	8-719-911-19	s	DIODE 1SS119-25
D702	8-719-911-19	s	DIODE 1SS119-25
D703	8-719-911-19	s	DIODE 1SS119-25
D704	8-719-911-19	s	DIODE 1SS119-25
D705	8-719-911-19	s	DIODE 1SS119-25
D706	8-719-911-19	s	DIODE 1SS119-25
D707	8-719-051-85	s	DIODE HSS83TD
D708	8-719-051-85	s	DIODE HSS83TD
D709	8-719-051-85	s	DIODE HSS83TD
D713	8-719-051-85	s	DIODE HSS83TD
D715	8-719-051-85	s	DIODE HSS83TD
D716	8-719-051-85	s	DIODE HSS83TD
D717	8-719-051-85	s	DIODE HSS83TD
J701	1-526-819-11	s	SOCKET,CRT
L701	1-410-667-31	s	MICRO INDUCTOR 22UF
Q701	8-729-119-78	s	TRANSISTOR 2SC2785-HFE
Q702	8-729-119-78	s	TRANSISTOR 2SC2785-HFE
Q703	8-729-119-78	s	TRANSISTOR 2SC2785-HFE
Q704	8-729-200-17	s	TRANSISTOR 2SA1091-0
Q705	8-729-200-17	s	TRANSISTOR 2SA1091-0
Q706	8-729-200-17	s	TRANSISTOR 2SA1091-0
Q707	8-729-326-11	s	TRANSISTOR 2SC2611
Q708	8-729-326-11	s	TRANSISTOR 2SC2611
Q709	8-729-326-11	s	TRANSISTOR 2SC2611
Q710	8-729-200-17	s	TRANSISTOR 2SA1091-0
Q711	8-729-200-17	s	TRANSISTOR 2SA1091-0

(C BOARD (FOR PVM-14))

Ref. No. or Q'ty	Part No.	SP	Description
Q712	8-729-200-17	s	TRANSISTOR 2SA1091-0
Q713	8-729-255-12	s	TRANSISTOR 2SC2551-0
Q714	8-729-255-12	s	TRANSISTOR 2SC2551-0
Q715	8-729-119-78	s	TRANSISTOR 2SC2785-HFE
Q716	8-729-119-78	s	TRANSISTOR 2SC2785-HFE
Q717	8-729-119-78	s	TRANSISTOR 2SC2785-HFE
R702	1-247-885-00	s	RES.CARBON 180K 1/4W
R704	1-215-405-00	s	RESISTOR METAL FILM 220 1/4W
R705	1-215-405-00	s	RESISTOR METAL FILM 220 1/4W
R706	1-215-404-00	s	RESISTOR METAL FILM 200 1/4W
R707	1-249-431-11	s	RESISTOR,CARBON 15K 1/4W SMALL
R708	1-249-431-11	s	RESISTOR,CARBON 15K 1/4W SMALL
R709	1-249-431-11	s	RESISTOR,CARBON 15K 1/4W SMALL
R710	1-215-383-00	s	RESISTOR METAL FILM 27 1/4 W
R711	1-215-385-00	s	RESISTOR METAL FILM 33 1/4 W
R712	1-215-381-00	s	RESISTOR METAL FILM 22 1/4 W
R715	1-219-746-11	s	RESISTOR 1K 1/2W (SURGE)
R716	1-216-486-00	s	RESISTOR,METAL FILM 8.2K/3W
R717	1-219-746-11	s	RESISTOR 1K 1/2W (SURGE)
R718	1-216-486-00	s	RESISTOR,METAL FILM 8.2K/3W
R719	1-219-746-11	s	RESISTOR 1K 1/2W (SURGE)
R720	1-216-486-00	s	RESISTOR,METAL FILM 8.2K/3W
R722	1-219-754-11	s	RESISTOR(SURGE RESISTANT)680K
R723	1-219-752-11	s	RESISTOR 100K1/2W (SURGE)
R724	1-219-753-11	s	RESISTOR(SURGE RESISTANT) 220K
R725	1-219-759-11	s	RESISTOR (SURGE RESISTANT) 1M
R727	1-240-936-11	s	RESISTOR (SURGE RESISTANT) 68K
R731	1-249-409-11	s	RESISTOR,CARBON 220 1/4W SMALL
R732	1-249-409-11	s	RESISTOR,CARBON 220 1/4W SMALL
R733	1-249-409-11	s	RESISTOR,CARBON 220 1/4W SMALL
R734	1-249-409-11	s	RESISTOR,CARBON 220 1/4W SMALL
R735	1-249-409-11	s	RESISTOR,CARBON 220 1/4W SMALL
R736	1-249-409-11	s	RESISTOR,CARBON 220 1/4W SMALL
R737	1-247-807-31	s	RESISTOR,CARBON 100 1/4W
R738	1-247-807-31	s	RESISTOR,CARBON 100 1/4W
R739	1-247-807-31	s	RESISTOR,CARBON 100 1/4W
R740	1-249-429-11	s	RESISTOR,CARBON(SMALL)10K 1/4W
R741	1-249-429-11	s	RESISTOR,CARBON(SMALL)10K 1/4W
R742	1-249-429-11	s	RESISTOR,CARBON(SMALL)10K 1/4W
R744	1-249-429-11	s	RESISTOR,CARBON(SMALL)10K 1/4W
R745	1-249-429-11	s	RESISTOR,CARBON(SMALL)10K 1/4W
R746	1-215-879-11	s	RESISTOR,METAL FILM 47K/1W
R747	1-249-429-11	s	RESISTOR,CARBON(SMALL)10K 1/4W
R748	1-249-417-11	s	RESISTOR,CARBON 1K 1/4W(SMALL)
R749	1-215-902-11	s	RESISTOR,METAL FILM 47K/2W
R750	1-249-400-11	s	RES,CARBON 39 1/4W (SMALL)
R751	1-247-887-00	s	RESISTOR,CARBON 220K 1/4W
R752	1-247-887-00	s	RESISTOR,CARBON 220K 1/4W
R753	1-247-887-00	s	RESISTOR,CARBON 220K 1/4W
RV707	1-230-641-11	s	RESISTOR,ADJ,METAL GLAZE 2.2M
RV708	1-230-619-11	s	RESISTOR,ADJ 110M (METAL)
RV709	1-230-641-11	s	RESISTOR,ADJ,METAL GLAZE 2.2M

C BOARD (FOR PVM-20)

Ref. No. or Q'ty	Part No.	SP	Description
1pc	A-1410-506-A	s	MOUNTED CIRCUIT BOARD, C
3pcs	7-682-949-09	s	SCREW +PSW 3X10(EP-FE/ZNBK/CM2
C701	1-102-115-00	s	CAPACITOR,CERAMIC;50V/560PF(B)
C702	1-102-116-00	s	CAPACITOR,CERAMIC;50V/680PF(B)
C703	1-102-116-00	s	CAPACITOR,CERAMIC;50V/680PF(B)
C704	1-102-121-00	s	CAPACITOR,CERAMIC 0.0022MF/50V
C705	1-126-968-11	s	CAPACITOR,ELECT 100MF/50V
C706	1-102-074-00	s	CAPACITOR,CERAMIC;50V/0.001MF
C707	1-162-116-00	s	CAPACITOR,CERAMIC 680PF/2KVDC
C708	1-130-338-11	s	0APACITOR,FILM 0.01MF/630V(PP)
C709	1-101-361-00	s	CAPACITOR,CERAMIC 150PF/50V
C710	1-102-816-00	s	CAPACITOR,CERAMIC 120PF/50V
C711	1-102-816-00	s	CAPACITOR,CERAMIC 120PF/50V
C712	1-102-816-00	s	CAPACITOR,CERAMIC 120PF/50V
C714	1-102-976-00	s	CAPACITOR,CERAMIC 180PF/50V SL
C715	1-102-976-00	s	CAPACITOR,CERAMIC 180PF/50V SL
C716	1-102-976-00	s	CAPACITOR,CERAMIC 180PF/50V SL
C724	1-107-929-11	s	CAPACITOR ELECT 10MF/100V
C726	1-107-655-11	s	CAPACITOR, ELECT 47MF/250V
C733	1-107-655-11	s	CAPACITOR ELECT 47MF/250V
CN701	1-764-333-11	o	PIN, CONNECTOR (10P)(V TYPE)
CN702	1-573-964-11	o	PIN,CONNECTOR(PC BOARD)6P
CN703	1-695-915-11	s	TAB (CONTACT)
CN704	1-695-915-11	s	TAB (CONTACT)
CN705	1-695-915-11	s	TAB (CONTACT)
D701	8-719-911-19	s	DIODE 1SS119-25
D702	8-719-911-19	s	DIODE 1SS119-25
D703	8-719-911-19	s	DIODE 1SS119-25
D704	8-719-911-19	s	DIODE 1SS119-25
D705	8-719-911-19	s	DIODE 1SS119-25
D706	8-719-911-19	s	DIODE 1SS119-25
D707	8-719-051-85	s	DIODE HSS83TD
D708	8-719-051-85	s	DIODE HSS83TD
D709	8-719-051-85	s	DIODE HSS83TD
D713	8-719-051-85	s	DIODE HSS83TD
D715	8-719-051-85	s	DIODE HSS83TD
D716	8-719-051-85	s	DIODE HSS83TD
D717	8-719-051-85	s	DIODE HSS83TD
J701	1-540-124-21	s	SOCKET, CRT
L706	1-410-667-31	s	MICRO INDUCTOR 22UF
Q701	8-729-119-78	s	TRANSISTOR 2SC2785-HFE
Q702	8-729-119-78	s	TRANSISTOR 2SC2785-HFE
Q703	8-729-119-78	s	TRANSISTOR 2SC2785-HFE
Q704	8-729-200-17	s	TRANSISTOR 2SA1091-0
Q705	8-729-200-17	s	TRANSISTOR 2SA1091-0
Q706	8-729-200-17	s	TRANSISTOR 2SA1091-0
Q707	8-729-326-11	s	TRANSISTOR 2SC2611
Q708	8-729-326-11	s	TRANSISTOR 2SC2611
Q709	8-729-326-11	s	TRANSISTOR 2SC2611
Q710	8-729-200-17	s	TRANSISTOR 2SA1091-0
Q711	8-729-200-17	s	TRANSISTOR 2SA1091-0
Q712	8-729-200-17	s	TRANSISTOR 2SA1091-0
Q713	8-729-255-12	s	TRANSISTOR 2SC2551-0
Q714	8-729-255-12	s	TRANSISTOR 2SC2551-0
Q715	8-729-255-12	s	TRANSISTOR 2SC2551-0
Q716	8-729-255-12	s	TRANSISTOR 2SC2551-0

(C BOARD (FOR PVM-20))

Ref. No. or Q'ty	Part No.	SP	Description
Q717	8-729-255-12	s	TRANSISTOR 2SC2551-0
R702	1-247-885-00	s	RES.CARBON 180K 1/4W
R704	1-215-404-00	s	RESISTOR METAL FILM 200 1/4W
R705	1-215-404-00	s	RESISTOR METAL FILM 200 1/4W
R706	1-215-403-00	s	RESISTOR METAL FILM 180 1/4W
R707	1-249-429-11	s	RESISTOR,CARBON(SMALL)10K 1/4W
R708	1-249-429-11	s	RESISTOR,CARBON(SMALL)10K 1/4W
R709	1-249-429-11	s	RESISTOR,CARBON(SMALL)10K 1/4W
R710	1-215-381-00	s	RESISTOR METAL FILM 22 1/4 W
R711	1-215-381-00	s	RESISTOR METAL FILM 22 1/4 W
R712	1-215-379-00	s	RESISTOR METAL FILM 18 1/4 W
R715	1-202-818-00	s	RESISTOR,SOLID 1K 1/2W
R716	1-216-486-00	s	RESISTOR,METAL FILM 8.2K/3W
R717	1-202-818-00	s	RESISTOR,SOLID 1K 1/2W
R718	1-216-486-00	s	RESISTOR,METAL FILM 8.2K/3W
R719	1-202-818-00	s	RESISTOR,SOLID 1K 1/2W
R720	1-216-486-00	s	RESISTOR,METAL FILM 8.2K/3W
R722	1-202-883-11	s	RESISTOR SOLID 680K 1/2W
R723	1-202-838-00	s	RESISTOR,SOLID 100K 1/2W
R724	1-202-842-11	s	RESISTOR,SOLID 220K 1/2W
R725	1-202-838-00	s	RESISTOR,SOLID 100K 1/2W
R726	1-202-846-00	s	RESISTOR, SOLID 470K 1/2W
R727	1-202-816-11	s	RESISTOR,SOLID 68K/1/2W
R728	1-202-837-00	s	RESISTOR,SOLID 82K 1/2W
R729	1-202-549-00	s	RESISTOR,SOLID 100 1/2W
R731	1-249-409-11	s	RESISTOR,CARBON 220 1/4W SMALL
R732	1-249-409-11	s	RESISTOR,CARBON 220 1/4W SMALL
R733	1-249-409-11	s	RESISTOR,CARBON 220 1/4W SMALL
R734	1-249-409-11	s	RESISTOR,CARBON 220 1/4W SMALL
R735	1-249-409-11	s	RESISTOR,CARBON 220 1/4W SMALL
R736	1-249-409-11	s	RESISTOR,CARBON 220 1/4W SMALL
R737	1-247-807-31	s	RESISTOR,CARBON 100 1/4W
R738	1-247-807-31	s	RESISTOR,CARBON 100 1/4W
R739	1-247-807-31	s	RESISTOR,CARBON 100 1/4W
R740	1-249-433-11	s	RESISTOR,CARBON 22K 1/4W
R741	1-249-433-11	s	RESISTOR,CARBON 22K 1/4W
R742	1-249-433-11	s	RESISTOR,CARBON 22K 1/4W
R744	1-247-843-11	s	RESISTOR CARBON (SMALL) 3.3K
R745	1-249-429-11	s	RESISTOR,CARBON(SMALL)10K 1/4W
R746	1-215-879-11	s	RESISTOR,METAL FILM 47K/1W
R747	1-249-429-11	s	RESISTOR,CARBON(SMALL)10K 1/4W
R748	1-249-417-11	s	RESISTOR,CARBON 1K 1/4W(SMALL)
R749	1-215-902-11	s	RESISTOR,METAL FILM 47K/2W
R751	1-247-887-00	s	RESISTOR,CARBON 220K 1/4W
R752	1-247-887-00	s	RESISTOR,CARBON 220K 1/4W
R753	1-247-887-00	s	RESISTOR,CARBON 220K 1/4W
R760	1-249-400-11	s	RES,CARBON 39 1/4W (SMALL)
RV708	1-241-714-11	s	RESISTOR,ADJ,METAL FILM 110M
RV709	1-230-641-11	s	RESISTOR,ADJ,METAL GLAZE 2.2M

G BOARD (FOR PVM-14)

Ref. No. or Q'ty	Part No.	SP	Description
1pc	A-1303-015-A	s	MOUNTED CIRCUIT BOARD, G
3pcs	2-371-561-00	s	BUSHING(P), INSULATING
3pcs	4-061-191-01	s	SHEET, INSULATE (IC603, IC1501, Q504, Q512)
1pc	4-382-854-01	s	SCREW +PSW M3X8 (EP-FE/ZN/CM2) (IC1501)
17pcs	4-382-854-11	s	SCREW,+PSW M3X10 (EP-FE/ZNBK/CM (EXCEPT IC1501)
5pcs	7-322-065-48	o	RUBBER, SILICONE RTV (KE-3490)
C504	1-163-021-91	s	CAPACITOR, CERAMIC 0.01MF/50V
C505	1-162-970-11	s	CAPACITOR CERAMIC 0.01MF/25V B
C506	1-162-970-11	s	CAPACITOR CERAMIC 0.01MF/25V B
C507	1-162-970-11	s	CAPACITOR CERAMIC 0.01MF/25V B
C508	1-107-902-11	s	CAPACITOR,ELECT 1MF/50V
C513	1-115-350-51	s	CAPACITOR, CERAMIC 4700PF F
C520	1-107-364-11	s	CAPACITOR,FILM 0.01MF/200VPET
C521	1-107-364-11	s	CAPACITOR,FILM 0.01MF/200VPET
C522	1-107-682-11	s	CAPACITOR,CHIP 1MF/16V (3216)
C523	1-163-809-11	s	CAPACITOR,CHIP CERAMIC 0.047MF
C529	1-162-970-11	s	CAPACITOR CERAMIC 0.01MF/25V B
C530	1-162-970-11	s	CAPACITOR CERAMIC 0.01MF/25V B
C531	1-107-906-11	s	CAPACITOR,ELECT 10MF/50V(105)
C532	1-107-682-11	s	CAPACITOR,CHIP 1MF/16V (3216)
C533	1-107-906-11	s	CAPACITOR,ELECT 10MF/50V(105)
C534	1-162-970-11	s	CAPACITOR CERAMIC 0.01MF/25V B
C537	1-162-970-11	s	CAPACITOR CERAMIC 0.01MF/25V B
C538	1-128-526-11	s	CAPACITOR,ELECT 100MF/25V
C539	1-128-526-11	s	CAPACITOR,ELECT 100MF/25V
C540	1-128-526-11	s	CAPACITOR,ELECT 100MF/25V
C541	1-162-968-11	s	CAPACITOR,CERAMIC 4700PF/50V B
C542	1-162-968-11	s	CAPACITOR,CERAMIC 4700PF/50V B
C543	1-128-526-11	s	CAPACITOR,ELECT 100MF/25V
C544	1-162-970-11	s	CAPACITOR CERAMIC 0.01MF/25V B
C546	1-107-906-11	s	CAPACITOR,ELECT 10MF/50V(105)
C547	1-162-968-11	s	CAPACITOR,CERAMIC 4700PF/50V B
C548	1-162-968-11	s	CAPACITOR,CERAMIC 4700PF/50V B
C601	△ 1-113-903-11	s	CAPACITOR,CERAMIC 0.001MF/250V
C602	△ 1-107-533-11	s	CAPACITOR FILM 1MF/250VAC
C603	△ 1-113-903-11	s	CAPACITOR,CERAMIC 0.001MF/250V
C604	△ 1-113-926-11	s	CAPACITOR,CERAMIC 4700PF/250V
C605	△ 1-113-926-11	s	CAPACITOR,CERAMIC 4700PF/250V
C606	1-107-910-11	s	CAPACITOR,ELECT 100MF/50V
C607	1-107-826-11	s	CAPACITOR,CHIP CERAMIC 0.1MF
C608	1-137-479-11	s	CAPASITOR FILM 1MF/400V
C609	1-107-907-11	s	CAPACITOR,ELECT 22MF/50V
C610	1-162-970-11	s	CAPACITOR CERAMIC 0.01MF/25V B
C611	1-107-906-11	s	CAPACITOR,ELECT 10MF/50V(105)
C612	1-102-852-91	s	CAPACITOR,CERAMIC 47PF/50V(CH)
C613	1-162-970-11	s	CAPACITOR CERAMIC 0.01MF/25V B
C614	1-125-891-11	s	CAPACITOR CERAMIC 0.47MF/10V
C615	1-107-910-11	s	CAPACITOR,ELECT 100MF/50V
C616	1-107-905-11	s	CAPACITOR,ELECT 4.7MF/50V
C617	△ 1-137-673-11	s	CAPASITOR ELECT 330MF
C618	1-136-479-11	s	CAPACITOR FILM 0.001MF/100V PP
C619	1-107-909-11	s	CAPACITOR,ELECT 47MF/50V
C622	1-137-990-21	s	CAP, METALIZED PP FILM 33000PF
C623	1-136-165-00	s	CAPACITOR,FILM 0.1MF/50V (PP)
C624	1-107-911-11	s	CAPACITOR,ELECT 220MF/50V
C625	1-107-909-11	s	CAPACITOR,ELECT 47MF/50V

(G BOARD (FOR PVM-14))

Ref. No. or Q'ty	Part No.	SP	Description
C626	1-162-970-11	s	CAPACITOR CERAMIC 0.01MF/25V B
C627	1-107-965-11	s	CAPACITOR, ELECT 100MF/250V
C628	1-162-964-11	s	CAPACITOR,CERAMIC 1000PF/50V B
C629	1-136-165-00	s	CAPACITOR,FILM 0.1MF/50V (PP)
C630	1-107-890-11	s	CAPACITOR ELECT 2200MF/25V
C631	1-115-766-51	s	CAPACITOR,ELECT 2200MF/16V
C632	1-126-767-11	s	CAPACITOR,ELECT 1000MF/16V
C634	1-107-906-11	s	CAPACITOR,ELECT 10MF/50V(105)
C635	1-107-892-11	s	CAPACITOR, ELECT 4700MF25V
C636	1-107-890-11	s	CAPACITOR ELECT 2200MF/25V
C637	1-107-886-11	s	CAPACITOR ELECT 4700MF/16V(105)
C638	1-115-766-51	s	CAPACITOR,ELECT 2200MF/16V
C639	1-128-339-11	s	CAPACITOR,ELECT 2200MF/16V
C640	1-131-984-91	s	CAP,HIGH-VOLTAGE CERAMIC 330PF
C641	1-131-984-91	s	CAP,HIGH-VOLTAGE CERAMIC 330PF
C642	1-128-339-11	s	CAPACITOR,ELECT 2200MF/16V
C643	1-107-914-11	s	CAPACITOR,ELECT 1000MF/50V
C644	1-107-877-11	s	CAPACITOR, ELECT 1000MF/10V
C645	1-107-877-11	s	CAPACITOR, ELECT 1000MF/10V
C646	1-128-339-11	s	CAPACITOR,ELECT 2200MF/16V
C647	1-107-877-11	s	CAPACITOR, ELECT 1000MF/10V
C649	1-100-300-11	s	CAPACITOR,ELECT 000MF
C650	1-107-907-11	s	CAPACITOR,ELECT 22MF/50V
C651	1-107-907-11	s	CAPACITOR,ELECT 22MF/50V
C652	1-107-909-11	s	CAPACITOR,ELECT 47MF/50V
C653	1-107-906-11	s	CAPACITOR,ELECT 10MF/50V(105)
C655	1-107-909-11	s	CAPACITOR,ELECT 47MF/50V
C656	1-107-906-11	s	CAPACITOR,ELECT 10MF/50V(105)
C658	1-137-150-11	s	CAPACITOR,FILM 0.01MF/100V(PP)
C660	1-115-766-51	s	CAPACITOR,ELECT 2200MF/16V
C662	1-162-970-11	s	CAPACITOR CERAMIC 0.01MF/25V B
C699	1-107-846-11	s	CAPACITOR FILM 0.10MF/400V(S)
C1501	1-107-914-11	s	CAPACITOR, ELECT 1000MF/50V
C1502	1-162-968-11	s	CAPACITOR,CERAMIC 4700PF/50V B
C1503	1-107-914-11	s	CAPACITOR,ELECT 1000MF/50V
C1504	1-162-968-11	s	CAPACITOR,CERAMIC 4700PF/50V B
C1505	1-107-910-11	s	CAPACITOR,ELECT 100MF/50V
C1506	1-137-401-11	s	CAPACITOR,FILM 0.22MF/100V
C1507	1-136-169-00	s	CAPACITOR,FILM 0.22MF/50V
C1508	1-126-934-11	s	CAPACITOR,ELECT 220MF/16V
C1509	1-126-963-11	s	CAPACITOR, ELECT 4.7MF/50V
C1510	1-137-150-11	s	CAPACITOR,FILM 0.01MF/100V(PP)
C1511	1-137-952-11	s	CAPACITOR, ELECT 4.7MF
C1512	1-115-524-11	s	CAPACITOR FILM 1.5MF/250V(S)
C1513	1-102-002-00	s	CAPACITOR,CERAMIC;500V/680PF
C1514	1-107-960-11	s	CAPACITOR,ELECT 4.7MF/250V
C1515	1-117-674-11	s	CAP, PP FILM (S) 1.8MF/200V
C1516	1-117-412-11	s	CAPACITOR,FILM 0.24MF/250V(S)
C1517	1-107-956-11	s	CAPACITOR,ELECT.220MF/200V
C1518	1-137-194-11	s	CAPACITOR FILM 0.47MF/50V
C1519	1-164-645-11	s	CAPACITOR,CERAMIC 1000PF/500V
C1520	1-117-838-11	s	CAP METAL PP FILM 8200PF 1.5KV
C1521	1-130-338-11	s	0APACITOR,FILM 0.01MF/630V(PP)
C1522	1-162-116-00	s	CAPACITOR,CERAMIC 680PF/2KVDC
C1523	1-162-116-00	s	CAPACITOR,CERAMIC 680PF/2KVDC
C1524	1-130-483-00	s	CAPCITOR FILM 0.01MF/50V(PETP)
C1525	1-162-131-11	s	CAPACITOR,CERAMIC 220PF/2KVDC
C1526	1-162-131-11	s	CAPACITOR,CERAMIC 220PF/2KVDC
C1527	1-162-968-11	s	CAPACITOR,CERAMIC 4700PF/50V B

(G BOARD (FOR PVM-14))

Ref. No. or Q'ty	Part No.	SP	Description
C1528	1-162-968-11	s	CAPACITOR,CERAMIC 4700PF/50V B
C1529	1-104-665-11	s	CAPACITOR, ELECT 100MF/25V
C1530	1-164-004-11	s	CAPACITOR,CERAMIC 0.1MF/25V
C1531	1-107-682-11	s	CAPACITOR,CHIP 1MF/16V (3216)
C1533	1-126-933-11	s	CAPACITOR,ELECT 100MF/16V
C1534	1-126-964-11	s	CAPACITOR, ELECT 10MF/50V
C1535	1-126-933-11	s	CAPACITOR,ELECT 100MF/16V
C1536	1-162-970-11	s	CAPACITOR CERAMIC 0.01MF/25V B
C1550	1-164-004-11	s	CAPACITOR,CERAMIC 0.1MF/25V
C1551	1-164-230-11	s	CAPACITOR,CERAMIC 220PF/50V
C1552	1-126-935-11	s	CAPACITOR,ELECT 470MF/16V
C1553	1-107-910-11	s	CAPACITOR,ELECT 100MF/50V
C1554	1-162-967-11	s	CAPACITOR,CERAMIC 3300PF/50V B
C1555	1-107-826-11	s	CAPACITOR,CHIP CERAMIC 0.1MF
C1556	1-164-004-11	s	CAPACITOR,CERAMIC 0.1MF/25V
C1557	1-136-165-00	s	CAPACITOR,FILM 0.1MF/50V (PP)
C1558	1-128-551-11	s	CAPACITOR ELECT 22MF/63V
C1559	1-136-495-11	s	CAPACITOR,FILM 0.068MF/50V
C1560	1-164-245-11	s	CAPACITOR,CERAMIC 0.015MF/25V
C1561	1-111-104-11	s	CAPACITOR,ELECT 2.2MF/50V
C1562	1-126-963-11	s	CAPACITOR, ELECT 4.7MF/50V
C1563	1-115-414-11	s	CAPACITOR,CHIP CERAMIC 820PF
C1564	1-136-165-00	s	CAPACITOR,FILM 0.1MF/50V (PP)
C1565	1-136-171-00	s	CAPACITOR,FILM 0.33MF/50V
C1566	1-107-826-11	s	CAPACITOR,CHIP CERAMIC 0.1MF
C1567	1-126-964-11	s	CAPACITOR, ELECT 10MF/50V
C1568	1-107-906-11	s	CAPACITOR,ELECT 10MF/50V(105)
C1569	1-126-933-11	s	CAPACITOR,ELECT 100MF/16V
C1570	1-107-826-11	s	CAPACITOR,CHIP CERAMIC 0.1MF
C1571	1-162-970-11	s	CAPACITOR CERAMIC 0.01MF/25V B
C1572	1-162-970-11	s	CAPACITOR CERAMIC 0.01MF/25V B
C1573	1-107-826-11	s	CAPACITOR,CHIP CERAMIC 0.1MF
C1574	1-126-767-11	s	CAPACITOR,ELECT 1000MF/16V
C1575	1-126-767-11	s	CAPACITOR,ELECT 1000MF/16V
C1576	1-107-910-11	s	CAPACITOR,ELECT 100MF/50V
C1577	1-164-004-11	s	CAPACITOR,CERAMIC 0.1MF/25V
C1578	1-107-701-11	s	CAPACITOR, ELECT 47MF/25V(BP)
C1580	1-137-194-11	s	CAPACITOR FILM 0.47MF/50V
C1581	1-162-966-11	s	CAPACITOR,CERAMIC 2200PF/50V B
C3501	1-107-714-11	s	CAPACITOR, ELECT 10MF/50V(BP)
C3502	1-107-905-11	s	CAPACITOR,ELECT 4.7MF/50V
C3503	1-107-905-11	s	CAPACITOR,ELECT 4.7MF/50V
C3504	1-107-909-11	s	CAPACITOR,ELECT 47MF/50V
C3505	1-162-968-11	s	CAPACITOR,CERAMIC 4700PF/50V B
C3506	1-107-906-11	s	CAPACITOR,ELECT 10MF/50V(105)
C3507	1-165-176-11	s	CAPACITOR,CERAMIC 47000PF/16V
C3508	1-107-884-11	s	CAPACITOR,ELECT 1000MF/16V
C3509	1-128-526-11	s	CAPACITOR,ELECT 100MF/25V
C3510	1-128-526-11	s	CAPACITOR,ELECT 100MF/25V
C3511	1-126-964-11	s	CAPACITOR, ELECT 10MF/50V
CN509	1-695-915-11	s	TAB (CONTACT)
CN510	1-564-508-11	o	PLUG,CONNECTOR (5P)
CN601	△ 1-691-960-11	o	PIN,CONNECTOR (PC BOARD) 3P
CN602	△ 1-695-561-11	o	PIN,CONNECTOR (PC BOARD) 7P
CN603	△ 1-508-765-23	o	PIN, CONNECTOR (5MM PITCH) 3P
CN605	1-564-512-11	o	PLUG,CONNECTOR (9P)
CN607	1-691-096-11	o	PIN,CONNECTOR (PC BOARD) 8P
CN608	△ 1-508-786-00	o	2P PLUG
CN1502	1-564-595-11	o	PLUG,CONNECTOR (14P)
CN1506	1-580-798-11	o	CONNECTOR PIN (DY) 6P

(G BOARD (FOR PVM-14))

Ref. No. or Q'ty	Part No.	SP	Description
CN1513	1-695-915-11	s	TAB (CONTACT)
CN3502	1-564-506-11	o	PLUG,CONNECTOR (3P)
D501	8-719-302-43	s	DIODE EL1Z (RECTI)
D502	8-719-073-01	s	DIODE MA111-(K8).SO
D510	8-719-073-01	s	DIODE MA111-(K8).SO
D511	8-719-073-01	s	DIODE MA111-(K8).SO
D512	8-719-073-01	s	DIODE MA111-(K8).SO
D514	8-719-073-01	s	DIODE MA111-(K8).SO
D515	8-719-028-72	s	DIODE RGP02-17EL-6433
D516	8-719-073-01	s	DIODE MA111-(K8).SO
D517	8-719-109-89	s	DIODE RD5.6ES-B2
D601	8-719-073-01	s	DIODE MA111-(K8).SO
D602	8-719-037-54	s	DIODE RD30SB-T1
D603	△ 8-719-510-53	s	DIODE D4SB60L
D604	8-719-073-01	s	DIODE MA111-(K8).SO
D605	8-719-028-72	s	DIODE RGP02-17EL-6433
D606	8-719-110-31	s	DIODE RD12ESB2
D607	8-719-073-01	s	DIODE MA111-(K8).SO
D608	8-719-304-63	s	DIODE RM11C (RECTI)
D609	8-719-110-67	s	DIODE RD27ES-B2
D610	8-719-073-01	s	DIODE MA111-(K8).SO
D611	8-719-082-03	s	DIODE MM3Z15VT1
D612	8-719-063-73	s	DIODE D1NL20U-TR
D613	8-719-083-78	s	DIODE 10ERA60-TP
D614	8-719-510-41	s	DIODE D10SC9M
D615	8-719-052-91	s	DIODE D4SBS4-F
D616	8-719-060-89	s	DIODE D4SBS6-F
D617	8-719-062-40	s	DIODE D4SBL20UF3
D618	8-719-082-03	s	DIODE MM3Z15VT1
D619	6-500-449-01	s	DIODE D5LC40
D620	8-719-110-48	s	DIODE RD18ES-B1
D621	8-719-073-01	s	DIODE MA111-(K8).SO
D622	8-719-110-31	s	DIODE RD12ESB2
D623	8-719-979-58	s	DIODE EGP10D
D624	8-719-110-53	s	DIODE RD20ES-B2
D625	8-719-073-01	s	DIODE MA111-(K8).SO
D626	8-719-073-01	s	DIODE MA111-(K8).SO
D627	8-719-082-03	s	DIODE MM3Z15VT1
D628	8-719-073-01	s	DIODE MA111-(K8).SO
D629	8-719-979-58	s	DIODE EGP10D
D630	8-719-063-73	s	DIODE D1NL20U-TR
D631	8-719-979-64	s	DIODE UF4005PKG23
D632	8-719-073-01	s	DIODE MA111-(K8).SO
D633	8-719-033-53	s	DIODE RD6.8SB2-T1
D634	8-719-110-39	s	DIODE RD15ES-B1
D635	8-719-110-39	s	DIODE RD15ES-B1
D636	8-719-977-28	s	DIODE DTZ10B
D1501	8-719-908-03	s	DIODE GP08D
D1502	8-719-037-00	s	DIODE RD6.2SB2-T1
D1503	8-719-908-03	s	DIODE GP08D
D1504	8-719-158-49	s	DIODE RD12SB2
D1505	8-719-073-01	s	DIODE MA111-(K8).SO
D1506	8-719-200-02	s	DIODE 10E2 (RECTI)
D1507	8-719-200-02	s	DIODE 10E2 (RECTI)
D1508	8-719-033-83	s	DIODE ERD07-15
D1509	8-719-048-23	s	DIODE UF5408
D1510	8-719-048-23	s	DIODE UF5408
D1511	8-719-037-00	s	DIODE RD6.2SB2-T1
D1512	8-719-073-01	s	DIODE MA111-(K8).SO

(G BOARD (FOR PVM-14))

Ref. No. or Q'ty	Part No.	SP	Description
D1550	8-719-159-12	s	DIODE RD5.1SB2-T2
D1551	8-719-159-12	s	DIODE RD5.1SB2-T2
D1552	8-719-050-84	s	DIODE RB441Q-40T-77
D3501	8-719-081-99	s	DIODE MM3Z13VT1
F601	△ 1-576-231-11	s	FUSE(H.B.C) (4A/250V)
FB1501	1-410-396-41	s	FERRITE BEAD INDUCTOR (0.45UH)
FB1502	1-410-397-21	s	FERRITE BEAD INDUCTOR
FB1503	1-410-397-21	s	FERRITE BEAD INDUCTOR
FH601	1-533-223-11	s	CLIP,FUSE
FH602	1-533-223-11	s	CLIP,FUSE
IC502	8-759-988-13	s	IC LM393PS
IC503	8-759-140-85	s	IC UPC1093J
IC505	8-759-140-85	s	IC UPC1093J
IC601	8-749-015-89	s	IC MZ1530
IC602	6-703-355-01	s	IC MCZ3001DA
IC603	8-759-586-17	s	IC TL1431CZT
IC604	8-759-394-35	s	IC BA12T
IC605	8-759-390-57	s	IC UPC2405AHF
IC606	8-759-390-57	s	IC UPC2405AHF
IC607	8-759-929-64	s	IC LM7905CT
IC1501	8-759-339-59	s	IC TDA8177
IC1502	8-759-701-75	s	IC NJM7805FA
IC1550	8-759-998-98	s	IC LM358D
IC1551	8-759-594-40	s	IC CXA8071CP
IC1552	8-752-053-21	s	IC CXA1211M
IC3501	6-700-688-01	s	IC AN5278
JR501	1-216-864-11	s	CONDUCTOR, CHIP (1608)
JR502	1-216-864-11	s	CONDUCTOR, CHIP (1608)
JR503	1-216-864-11	s	CONDUCTOR, CHIP (1608)
JR504	1-216-864-11	s	CONDUCTOR, CHIP (1608)
JR601	1-216-864-11	s	CONDUCTOR, CHIP (1608)
L601	1-406-976-11	s	COIL, CHOKE 68UH
L602	△ 1-419-126-11	s	COIL, CHOKE (AFC) 216UH
L603	1-412-525-31	s	MICRO INDUCTOR 10UH
L604	1-412-525-31	s	MICRO INDUCTOR 10UH
L606	1-412-525-31	s	MICRO INDUCTOR 10UH
L607	1-412-525-31	s	MICRO INDUCTOR 10UH
L608	1-412-525-31	s	MICRO INDUCTOR 10UH
L609	1-412-525-31	s	MICRO INDUCTOR 10UH
L1501	1-411-286-11	s	COIL, CHOKE 220UH
L1502	1-459-109-00	s	COIL,DUST CORE
L1504	1-416-162-11	s	COIL, HORIZONTAL LINEARITY
L1505	1-459-474-11	s	COIL(WITH CORE)
L1506	1-406-674-11	s	CHOKE COIL 3.3MH
L1507	1-459-104-00	s	COIL,DUST CORE
L1508	1-412-533-21	s	MICRO INDUCTOR 47UH
L1509	1-407-365-00	s	CHOKE COIL,RF
L1510	1-407-365-00	s	CHOKE COIL,RF
L1511	1-410-482-31	s	MICRO INDUCTOR 100UH
L1550	1-410-476-11	s	MICRO INDUCTOR 33UH
NL501	1-517-778-21	s	LAMP, NEON
PH601	△ 8-749-016-81	s	PHOTO COUPLER PC123Y22
PH602	△ 8-749-016-81	s	PHOTO COUPLER PC123Y22
Q512	8-729-313-42	s	TRANSISTOR 2SD1134
Q513	8-729-119-80	s	TRANSISTOR 2SC2688-LK
Q601	1-801-806-11	s	TRANSISTOR DTC144EKA

(G BOARD (FOR PVM-14))

Ref. No. or Q'ty	Part No.	SP	Description
Q602	8-729-120-28	s	TRANSISTOR 2SC1623-L5L6
Q603	8-729-423-33	s	TRANSISTOR 2SC3311A-QRSTA
Q604	8-729-120-28	s	TRANSISTOR 2SC1623-L5L6
Q605	8-729-033-26	s	TRANSISTOR DTA114GKAT146
Q606	8-729-120-28	s	TRANSISTOR 2SC1623-L5L6
Q607	8-729-033-26	s	TRANSISTOR DTA114GKAT146
Q608	8-729-200-17	s	TRANSISTOR 2SA1091-0
Q609	8-729-033-26	s	TRANSISTOR DTA114GKAT146
Q610	8-729-033-24	s	TRANSISTOR DTC114GKAT146
Q611	8-729-033-24	s	TRANSISTOR DTC114GKAT146
Q612	8-729-033-26	s	TRANSISTOR DTA114GKAT146
Q613	1-801-806-11	s	TRANSISTOR DTC144EKA
Q614	8-729-140-96	s	TRANSISTOR 2SD774-34
Q615	8-729-052-32	s	TRANSISTOR IRFIB7N50A
Q616	8-729-052-32	s	TRANSISTOR IRFIB7N50A
Q617	8-729-120-28	s	TRANSISTOR 2SC1623-L5L6
Q619	8-729-209-60	s	TRANSISTOR 2SB1375
Q1501	1-801-806-11	s	TRANSISTOR DTC144EKA
Q1502	8-729-120-28	s	TRANSISTOR 2SC1623-L5L6
Q1505	8-729-119-80	s	TRANSISTOR 2SC2688-LK
Q1506	8-729-049-47	s	TRANSISTOR 2SC5450-CA
Q1508	8-729-026-49	s	TRANSISTOR 2SA1037AK-T146-R
Q1509	8-729-120-28	s	TRANSISTOR 2SC1623-L5L6
Q1550	1-801-806-11	s	TRANSISTOR DTC144EKA
Q1551	8-729-026-49	s	TRANSISTOR 2SA1037AK-T146-R
Q1552	8-729-027-43	s	TRANSISTOR DTC114EKA-T146
Q1553	8-729-027-43	s	TRANSISTOR DTC114EKA-T146
Q3501	8-729-422-33	s	TRANSISTOR 2SD601A-Q-TX
Q3502	8-729-140-96	s	TRANSISTOR 2SD774-34
Q3503	8-729-120-28	s	TRANSISTOR 2SC1623-L5L6
R509	1-249-381-11	s	RES,CARBON 1 (1/4W)
R510	1-218-894-11	s	RESISTOR,CHIP 91K 1/10W (1608)
R511	1-218-878-11	s	RESISTOR,CHIP 20K 1/10W (1608)
R514	1-218-871-11	s	RESISTOR,CHIP 10K 1/10W (1608)
R515	1-218-871-11	s	RESISTOR,CHIP 10K 1/10W (1608)
R516	1-218-839-11	s	RESISTOR,CHIP 470 1/10W (1608)
R521	1-249-417-11	s	RESISTOR,CARBON 1K 1/4W(SMALL)
R526	1-218-863-11	s	RESISTOR,CHIP 4.7K 1/10W(1608)
R527	1-218-863-11	s	RESISTOR,CHIP 4.7K 1/10W(1608)
R528	1-218-864-11	s	RESISTOR,CHIP 5.1K 1/10W(1608)
R529	1-218-863-11	s	RESISTOR,CHIP 4.7K 1/10W(1608)
R530	1-218-863-11	s	RESISTOR,CHIP 4.7K 1/10W(1608)
R531	1-218-853-11	s	RESISTOR,CHIP 1.8K 1/10W(1608)
R545	1-218-859-11	s	RESISTOR,CHIP 3.3K 1/10W(1608)
R546	1-218-871-11	s	RESISTOR,CHIP 10K 1/10W (1608)
R547	1-218-839-11	s	RESISTOR,CHIP 470 1/10W (1608)
R548	1-218-865-11	s	RESISTOR,CHIP 5.6K 1/10W(1608)
R549	1-216-833-11	s	RESISTOR,CHIP 10K 1/10W (1608)
R551	1-218-871-11	s	RESISTOR,CHIP 10K 1/10W (1608)
R552	1-218-859-11	s	RESISTOR,CHIP 3.3K 1/10W(1608)
R553	1-216-833-11	s	RESISTOR,CHIP 10K 1/10W (1608)
R557	1-216-833-11	s	RESISTOR,CHIP 10K 1/10W (1608)
R558	1-216-809-11	s	RESISTOR,CHIP 100 1/10W 1608
R561	1-216-821-11	s	RESISTOR,CHIP 1.0K 1/10W(1608)
R562	1-219-687-11	s	RES,HIGH POWER METAL FILM 2.2K
R564	1-219-687-11	s	RES,HIGH POWER METAL FILM 2.2K
R565	1-218-859-11	s	RESISTOR,CHIP 3.3K 1/10W(1608)
R601	△ 1-219-510-11	s	RESISTOR 470K 1/2W (SURGE)
R602	△ 1-219-513-11	s	RESISTOR 4.7M 1/2W (SURGE)
R603	△ 1-219-513-11	s	RESISTOR 4.7M 1/2W (SURGE)

(G BOARD (FOR PVM-14))

Ref. No. or Q'ty	Part No.	SP	Description
R604	1-260-081-11	s	RESISTOR,CARBON 33 1/2W(SMALL)
R605	1-215-891-11	s	RESISTOR,METAL FILM 680/2W
R606	1-216-845-11	s	RESISTOR,CHIP 100K 1/10W(1608)
R607	1-216-833-11	s	RESISTOR,CHIP 10K 1/10W (1608)
R608	1-216-844-11	s	RESISTOR,CHIP 82K 1/16W 1608
R609	1-240-251-11	s	RESISTOR,CEMENT 6.8/10W
R610	1-216-829-11	s	RESISTOR,CHIP 4.7K 1/10W(1608)
R611	1-216-841-11	s	RESISTOR, CHIP 47K 1/10W 1608
R612	1-216-841-11	s	RESISTOR, CHIP 47K 1/10W 1608
R613	1-216-833-11	s	RESISTOR,CHIP 10K 1/10W (1608)
R614	1-216-821-11	s	RESISTOR,CHIP 1.0K 1/10W(1608)
R615	1-207-615-00	s	RESISTOR WIREWOUND 0.33/3W
R616	1-207-615-00	s	RESISTOR WIREWOUND 0.33/3W
R617	1-218-823-11	s	RESISTOR,CHIP 100 1/10W (1608)
R619	1-218-870-11	s	RESISTOR,CHIP 9.1K 1/10W(1608)
R621	1-216-817-11	s	RESISTOR,CHIP 470 1/10W 1608
R622	1-218-873-11	s	RESISTOR,CHIP 12K 1/10W (1608)
R623	1-202-933-61	s	RESISTOR, FUSE 0.1 1/2W
R624	1-249-393-11	s	RES,CARBON 10 1/4W
R625	1-249-393-11	s	RES,CARBON 10 1/4W
R627	1-243-979-71	s	RES, OXIDE METAL FILM 0.1
R628	1-216-361-00	s	RESISTOR,METAL FILM 0.22/2W
R629	1-216-833-11	s	RESISTOR,CHIP 10K 1/10W (1608)
R630	1-216-833-11	s	RESISTOR,CHIP 10K 1/10W (1608)
R631	1-211-990-11	s	RESISTOR,CHIP 75 1/10W (1608)
R632	1-202-933-61	s	RESISTOR, FUSE 0.1 1/2W
R633	1-215-465-00	s	RESISTOR,METAL FILM 68K 1/4W
R634	1-218-883-11	s	RESISTOR,CHIP 33K 1/10W (1608)
R635	1-218-855-11	s	RESISTOR,CHIP 2.2K 1/10W(1608)
R636	1-216-824-11	s	RESISTOR, CHIP 1.8K 1/10W 1608
R637	1-216-821-11	s	RESISTOR,CHIP 1.0K 1/10W(1608)
R638	1-216-845-11	s	RESISTOR,CHIP 100K 1/10W(1608)
R639	1-216-864-11	s	CONDUCTOR, CHIP (1608)
R640	1-216-817-11	s	RESISTOR,CHIP 470 1/10W 1608
R641	1-202-933-61	s	RESISTOR, FUSE 0.1 1/2W
R642	1-249-409-11	s	RESISTOR,CARBON 220 1/4W SMALL
R643	1-216-492-11	s	RESISTOR,METAL FILM 82K/3W
R644	1-218-887-11	s	RESISTOR,CHIP 47K 1/10W (1608)
R645	1-208-840-11	s	RESISTOR,CHIP 270K 1/10W(2012)
R646	1-208-844-11	s	RESISTOR,CHIP 390K 1/10W(2012)
R647	1-218-849-11	s	RESISTOR,CHIP 1.2K 1/10W(1608)
R648	1-218-875-11	s	RESISTOR,CHIP 15K 1/10W (1608)
R649	1-208-830-11	s	RESISTOR,CHIP 100K 1/10W(2012)
R650	1-216-388-11	s	RESISTOR,METAL FILM 0.82/3W
R651	1-216-833-11	s	RESISTOR,CHIP 10K 1/10W (1608)
R652	1-208-846-11	s	RESISTOR,CHIP 470K 1/10W(2012)
R653	1-218-899-11	s	RESISTOR,CHIP 150K 1/10W(1608)
R654	1-218-847-11	s	RESISTOR, CHIP 1K 1/10W (1608)
R655	1-218-847-11	s	RESISTOR, CHIP 1K 1/10W (1608)
R656	1-218-867-11	s	RESISTOR,CHIP 6.8K 1/10W(1608)
R657	1-216-492-11	s	RESISTOR,METAL FILM 82K/3W
R658	1-216-492-11	s	RESISTOR,METAL FILM 82K/3W
R659	1-216-839-11	s	RESISTOR,CHIP 33K 1/10W 1608
R660	1-249-417-11	s	RESISTOR,CARBON 1K 1/4W(SMALL)
R661	1-216-821-11	s	RESISTOR,CHIP 1.0K 1/10W(1608)
R663	1-216-825-11	s	RESISTOR,CHIP 2.2K 1/10W 1608
R664	1-216-835-11	s	RESISTOR,CHIP 15K 1/10W
R668	1-249-385-11	s	RES,CARBON 2.2 1/4W
R670	1-245-477-21	s	ANTI SURGE RESISTOR 430K

(G BOARD (FOR PVM-14))

Ref. No. or Q'ty	Part No.	SP	Description
R671	1-245-480-21	s	ANTI SURGE RESISTOR 560K
R674	1-216-841-11	s	RESISTOR, CHIP 47K 1/10W 1608
R676	1-249-417-11	s	RESISTOR,CARBON 1K 1/4W(SMALL)
R1501	1-249-383-11	s	RES,CARBON 1.5 1/4W
R1502	1-249-383-11	s	RES,CARBON 1.5 1/4W
R1503	1-218-829-11	s	RESISTOR,CHIP 180 1/10W (1608)
R1504	1-218-861-11	s	RESISTOR,CHIP 3.9K 1/10W(1608)
R1505	1-216-455-11	s	RESISTOR,METAL FILM 560/2W
R1506	1-216-373-11	s	RESISTOR,METAL FILM 2.2/2W
R1507	1-216-373-11	s	RESISTOR,METAL FILM 2.2/2W
R1508	1-249-383-11	s	RES,CARBON 1.5 1/4W
R1509	1-218-863-11	s	RESISTOR,CHIP 4.7K 1/10W(1608)
R1510	1-249-421-11	s	RESISTOR,CARBON 2.2K 1/4W
R1511	1-216-821-11	s	RESISTOR,CHIP 1.0K 1/10W(1608)
R1512	1-216-829-11	s	RESISTOR,CHIP 4.7K 1/10W(1608)
R1513	1-216-849-11	s	RESISTOR,CHIP 220K 1/16W 1608
R1514	1-218-850-11	s	RESISTOR,CHIP 1.3K 1/10W(1608)
R1515	1-216-833-11	s	RESISTOR,CHIP 10K 1/10W (1608)
R1516	1-216-841-11	s	RESISTOR, CHIP 47K 1/10W 1608
R1517	1-216-821-11	s	RESISTOR,CHIP 1.0K 1/10W(1608)
R1518	1-216-839-11	s	RESISTOR,CHIP 33K 1/10W 1608
R1520	1-216-823-11	s	RESISTOR, CHIP 1.5K 1/10W
R1521	1-216-833-11	s	RESISTOR,CHIP 10K 1/10W (1608)
R1522	1-216-839-11	s	RESISTOR,CHIP 33K 1/10W 1608
R1523	1-215-869-11	s	RESISTOR,METAL FILM 1K/1W
R1524	1-216-427-00	s	RESISTOR,METAL FILM 120/1W
R1525	1-216-360-11	s	RESISTOR,METAL FILM 8.2/1W
R1526	1-215-919-11	s	RESISTOR,METAL FILM 2.2K/3W
R1527	1-216-825-11	s	RESISTOR,CHIP 2.2K 1/10W 1608
R1528	1-216-821-11	s	RESISTOR,CHIP 1.0K 1/10W(1608)
R1529	1-216-827-11	s	RESISTOR, CHIP 3.3K 1/10W 1608
R1531	1-249-417-11	s	RESISTOR,CARBON 1K 1/4W(SMALL)
R1532	1-216-837-11	s	RESISTOR,CHIP 22K 1/16W 1608
R1533	1-216-809-11	s	RESISTOR,CHIP 100 1/10W 1608
R1534	1-216-833-11	s	RESISTOR,CHIP 10K 1/10W (1608)
R1535	1-216-821-11	s	RESISTOR,CHIP 1.0K 1/10W(1608)
R1536	1-216-809-11	s	RESISTOR,CHIP 100 1/10W 1608
R1537	1-216-833-11	s	RESISTOR,CHIP 10K 1/10W (1608)
R1538	1-218-847-11	s	RESISTOR, CHIP 1K 1/10W (1608)
R1539	1-218-823-11	s	RESISTOR,CHIP 100 1/10W (1608)
R1540	1-249-411-11	s	RES,CARBON 330 1/4W SMALL
R1541	1-216-833-11	s	RESISTOR,CHIP 10K 1/10W (1608)
R1542	1-215-919-11	s	RESISTOR,METAL FILM 2.2K/3W
R1543	1-216-371-00	s	RESISTOR,METAL FILM 1.5/2W
R1544	1-216-864-11	s	CONDUCTOR, CHIP (1608)
R1545	1-249-430-11	s	RES,CARBON 12K 1/4W
R1550	1-218-871-11	s	RESISTOR,CHIP 10K 1/10W (1608)
R1551	1-218-871-11	s	RESISTOR,CHIP 10K 1/10W (1608)
R1552	1-218-831-11	s	RESISTOR, CHIP 220 1/10W(1608)
R1553	1-260-093-11	s	RESISTOR,CARBON 330 1/2W
R1554	1-216-809-11	s	RESISTOR,CHIP 100 1/10W 1608
R1555	1-218-893-11	s	RESISTOR, CHIP 82K 1/10W(1608)
R1557	1-216-801-11	s	RESISTOR,CHIP 22 1/10W (1608)
R1558	1-216-809-11	s	RESISTOR,CHIP 100 1/10W 1608
R1559	1-216-835-11	s	RESISTOR,CHIP 15K 1/10W
R1560	1-218-902-11	s	RESISTOR,CHIP 200K 1/10W(1608)
R1561	1-216-801-11	s	RESISTOR,CHIP 22 1/10W (1608)
R1562	1-216-821-11	s	RESISTOR,CHIP 1.0K 1/10W(1608)
R1563	1-216-809-11	s	RESISTOR,CHIP 100 1/10W 1608

(G BOARD (FOR PVM-14))

Ref. No. or Q'ty	Part No.	SP	Description
R1564	1-216-862-11	s	RESISTOR,CHIP 2.7M 1/16W 1608
R1565	1-216-829-11	s	RESISTOR,CHIP 4.7K 1/10W(1608)
R1566	1-216-809-11	s	RESISTOR,CHIP 100 1/10W 1608
R1567	1-218-859-11	s	RESISTOR,CHIP 3.3K 1/10W(1608)
R1568	1-218-851-11	s	RESISTOR,CHIP 1.5K 1/10W(1608)
R1569	1-218-858-11	s	RESISTOR, CHIP 3K 1/10W (1608)
R1570	1-218-871-11	s	RESISTOR,CHIP 10K 1/10W (1608)
R1571	1-218-859-11	s	RESISTOR,CHIP 3.3K 1/10W(1608)
R1572	1-216-809-11	s	RESISTOR,CHIP 100 1/10W 1608
R1573	1-216-853-11	s	RESISTOR,CHIP 470K 1/16W(1608)
R1574	1-218-845-11	s	RESISTOR,CHIP 820 1/10W (1608)
R1575	1-218-847-11	s	RESISTOR, CHIP 1K 1/10W (1608)
R1576	1-218-823-11	s	RESISTOR,CHIP 100 1/10W (1608)
R1577	1-216-837-11	s	RESISTOR,CHIP 22K 1/16W 1608
R1578	1-216-809-11	s	RESISTOR,CHIP 100 1/10W 1608
R1579	1-216-825-11	s	RESISTOR,CHIP 2.2K 1/10W 1608
R1580	1-216-827-11	s	RESISTOR, CHIP 3.3K 1/10W 1608
R1581	1-218-861-11	s	RESISTOR,CHIP 3.9K 1/10W(1608)
R1582	1-216-825-11	s	RESISTOR,CHIP 2.2K 1/10W 1608
R1583	1-218-865-11	s	RESISTOR,CHIP 5.6K 1/10W(1608)
R1584	1-218-871-11	s	RESISTOR,CHIP 10K 1/10W (1608)
R1585	1-218-895-11	s	RESISTOR,CHIP 100K 1/10W(1608)
R3501	1-216-829-11	s	RESISTOR,CHIP 4.7K 1/10W(1608)
R3502	1-216-821-11	s	RESISTOR,CHIP 1.0K 1/10W(1608)
R3503	1-216-833-11	s	RESISTOR,CHIP 10K 1/10W (1608)
R3505	1-218-867-11	s	RESISTOR,CHIP 6.8K 1/10W(1608)
R3506	1-218-866-11	s	RESISTOR,CHIP 6.2K 1/10W(1608)
R3507	1-216-837-11	s	RESISTOR,CHIP 22K 1/16W 1608
R3508	1-216-829-11	s	RESISTOR,CHIP 4.7K 1/10W(1608)
R3509	1-212-857-00	s	RESISTOR,FUSE 10 1/4W
R3511	1-260-095-11	s	RESISTOR,CARBON 470 1/2W
R3512	1-216-813-11	s	RESISTOR, CHIP 220 1/10W 1608
R3513	1-216-833-11	s	RESISTOR,CHIP 10K 1/10W (1608)
R3514	1-216-821-11	s	RESISTOR,CHIP 1.0K 1/10W(1608)
RV1501	1-223-102-00	s	RESISTOR,ADJUST,WIREWOUND 120
RY601	△ 1-755-318-11	s	RELAY, POWER
RY602	△ 1-755-318-11	s	RELAY, POWER
T502	△ 1-453-446-11	s	R/P FBT ASSY (NX-4525//M3A4)
T601	△ 1-429-180-11	s	TRANSFORMER, LINE FILTER
T602	△ 1-443-028-11	s	CONVERTER TRANSFORMER (PIT)
T1502	1-426-668-11	s	TRANSFORMER, FERRITE (HDT)
THP601	△ 1-809-827-11	s	THERMISTOR,POSITIVE
VDR601	△ 1-810-622-11	s	VARISTOR
VDR602	△ 1-803-830-31	s	VARISTOR (ERZV14D621)
VDR603	△ 1-803-830-31	s	VARISTOR (ERZV14D621)
VDR604	△ 1-801-268-51	s	VARISTOR ERZV14D471
VDR605	△ 1-801-268-51	s	VARISTOR ERZV14D471
X1550	1-767-933-11	s	OSCILLATOR, CERAMIC (500KHZ)

G BOARD (FOR PVM-20)

Ref. No. or Q'ty	Part No.	SP	Description
1pc	A-1303-017-A	s	MOUNTED CIRCUIT BOARD, G
3pcs	2-371-561-00	s	BUSHING(P), INSULATING (IC603,IC1501,Q512)
4pcs	4-061-191-01	s	SHEET, INSULATE (IC603,IC1501,Q504,Q512)
1pc	4-382-854-01	s	SCREW +PSW M3X8(EP-FE/ZN/CM2) (IC1501)
19pcs	4-382-854-11	s	SCREW,+PSW M3X10(EP-FE/ZNBK/CM (EXCEPT IC1501)
5pcs	7-322-065-48	o	RUBBER, SILICONE RTV (KE-3490)
C504	1-163-021-91	s	CAPACITOR, CERAMIC 0.01MF/50V
C505	1-162-970-11	s	CAPACITOR CERAMIC 0.01MF/25V B
C506	1-162-970-11	s	CAPACITOR CERAMIC 0.01MF/25V B
C507	1-162-970-11	s	CAPACITOR CERAMIC 0.01MF/25V B
C508	1-107-902-11	s	CAPACITOR,ELECT 1MF/50V
C513	1-115-350-51	s	CAPACITOR, CERAMIC 4700PF F
C520	1-107-364-11	s	CAPACITOR,FILM 0.01MF/200VPET
C521	1-107-364-11	s	CAPACITOR,FILM 0.01MF/200VPET
C522	1-107-682-11	s	CAPACITOR,CHIP 1MF/16V (3216)
C523	1-163-809-11	s	CAPACITOR,CHIP CERAMIC 0.047MF
C524	1-107-682-11	s	CAPACITOR,CHIP 1MF/16V (3216)
C525	1-162-964-11	s	CAPACITOR,CERAMIC 1000PF/50V B
C526	1-164-156-11	s	CAPACITOR,CERAMIC 0.1MF/25V F
C527	1-162-915-11	s	CAPACITOR,CERAMIC 10PF/50V CH
C529	1-162-970-11	s	CAPACITOR CERAMIC 0.01MF/25V B
C530	1-162-970-11	s	CAPACITOR CERAMIC 0.01MF/25V B
C531	1-107-906-11	s	CAPACITOR,ELECT 10MF/50V(105)
C532	1-107-682-11	s	CAPACITOR,CHIP 1MF/16V (3216)
C533	1-107-906-11	s	CAPACITOR,ELECT 10MF/50V(105)
C534	1-162-970-11	s	CAPACITOR CERAMIC 0.01MF/25V B
C537	1-162-970-11	s	CAPACITOR CERAMIC 0.01MF/25V B
C538	1-128-526-11	s	CAPACITOR,ELECT 100MF/25V
C539	1-128-526-11	s	CAPACITOR,ELECT 100MF/25V
C540	1-128-526-11	s	CAPACITOR,ELECT 100MF/25V
C541	1-162-968-11	s	CAPACITOR,CERAMIC 4700PF/50V B
C542	1-162-968-11	s	CAPACITOR,CERAMIC 4700PF/50V B
C543	1-128-526-11	s	CAPACITOR,ELECT 100MF/25V
C544	1-162-970-11	s	CAPACITOR CERAMIC 0.01MF/25V B
C546	1-107-906-11	s	CAPACITOR,ELECT 10MF/50V(105)
C547	1-162-968-11	s	CAPACITOR,CERAMIC 4700PF/50V B
C548	1-162-968-11	s	CAPACITOR,CERAMIC 4700PF/50V B
C601	△ 1-113-903-11	s	CAPACITOR,CERAMIC 0.001MF/250V
C602	△ 1-107-533-11	s	CAPACITOR FILM 1MF/250VAC
C603	△ 1-113-903-11	s	CAPACITOR,CERAMIC 0.001MF/250V
C604	△ 1-113-926-11	s	CAPACITOR,CERAMIC 4700PF/250V
C605	△ 1-113-926-11	s	CAPACITOR,CERAMIC 4700PF/250V
C606	1-107-910-11	s	CAPACITOR,ELECT 100MF/50V
C607	1-107-826-11	s	CAPACITOR,CHIP CERAMIC 0.1MF
C608	1-137-479-11	s	CAPASITOR FILM 1MF/400V
C609	1-107-907-11	s	CAPACITOR,ELECT 22MF/50V
C610	1-162-970-11	s	CAPACITOR CERAMIC 0.01MF/25V B
C611	1-107-906-11	s	CAPACITOR,ELECT 10MF/50V(105)
C612	1-102-852-91	s	CAPACITOR,CERAMIC 47PF/50V(CH)
C613	1-162-970-11	s	CAPACITOR CERAMIC 0.01MF/25V B
C614	1-125-891-11	s	CAPACITOR CERAMIC 0.47MF/10V
C615	1-107-910-11	s	CAPACITOR,ELECT 100MF/50V
C616	1-107-905-11	s	CAPACITOR,ELECT 4.7MF/50V
C617	△ 1-137-673-11	s	CAPASITOR ELECT 330MF
C618	1-136-479-11	s	CAPACITOR FILM 0.001MF/100V PP

(G BOARD (FOR PVM-20))

Ref. No. or Q'ty	Part No.	SP	Description
C619	1-107-909-11	s	CAPACITOR,ELECT 47MF/50V
C622	1-137-990-21	s	CAP, METALIZED PP FILM 33000PF
C623	1-136-165-00	s	CAPACITOR,FILM 0.1MF/50V (PP)
C624	1-107-911-11	s	CAPACITOR,ELECT 220MF/50V
C625	1-107-909-11	s	CAPACITOR,ELECT 47MF/50V
C626	1-162-970-11	s	CAPACITOR CERAMIC 0.01MF/25V B
C627	1-107-965-11	s	CAPACITOR, ELECT 100MF/250V
C628	1-162-964-11	s	CAPACITOR,CERAMIC 1000PF/50V B
C629	1-136-165-00	s	CAPACITOR,FILM 0.1MF/50V (PP)
C630	1-107-890-11	s	CAPACITOR ELECT 2200MF/25V
C631	1-115-766-51	s	CAPACITOR,ELECT 2200MF/16V
C632	1-126-767-11	s	CAPACITOR,ELECT 1000MF/16V
C634	1-107-906-11	s	CAPACITOR,ELECT 10MF/50V(105)
C635	1-107-892-11	s	CAPACITOR, ELECT 4700MF/25V
C636	1-107-890-11	s	CAPACITOR ELECT 2200MF/25V
C637	1-107-886-11	s	CAPACITOR ELECT 4700MF/16V(105)
C638	1-115-766-51	s	CAPACITOR,ELECT 2200MF/16V
C639	1-128-339-11	s	CAPACITOR,ELECT 2200MF/16V
C640	1-131-984-91	s	CAP,HIGH-VOLTAGE CERAMIC 330PF
C641	1-131-984-91	s	CAP,HIGH-VOLTAGE CERAMIC 330PF
C642	1-128-339-11	s	CAPACITOR,ELECT 2200MF/16V
C643	1-107-914-11	s	CAPACITOR,ELECT 1000MF/50V
C644	1-107-877-11	s	CAPACITOR, ELECT 1000MF/10V
C645	1-107-877-11	s	CAPACITOR, ELECT 1000MF/10V
C646	1-128-339-11	s	CAPACITOR,ELECT 2200MF/16V
C647	1-107-877-11	s	CAPACITOR, ELECT 1000MF/10V
C649	1-100-300-11	s	CAPACITOR,ELECT 000MF
C650	1-107-907-11	s	CAPACITOR,ELECT 22MF/50V
C651	1-107-907-11	s	CAPACITOR,ELECT 22MF/50V
C652	1-107-909-11	s	CAPACITOR,ELECT 47MF/50V
C653	1-107-906-11	s	CAPACITOR,ELECT 10MF/50V(105)
C655	1-107-909-11	s	CAPACITOR,ELECT 47MF/50V
C656	1-107-906-11	s	CAPACITOR,ELECT 10MF/50V(105)
C658	1-137-150-11	s	CAPACITOR,FILM 0.01MF/100V(PP)
C660	1-115-766-51	s	CAPACITOR,ELECT 2200MF/16V
C662	1-162-970-11	s	CAPACITOR CERAMIC 0.01MF/25V B
C699	1-107-846-11	s	CAPACITOR FILM 0.10MF/400V(S)
C1501	1-107-914-11	s	CAPACITOR,ELECT 1000MF/50V
C1502	1-162-968-11	s	CAPACITOR,CERAMIC 4700PF/50V B
C1503	1-107-914-11	s	CAPACITOR,ELECT 1000MF/50V
C1504	1-162-968-11	s	CAPACITOR,CERAMIC 4700PF/50V B
C1505	1-107-910-11	s	CAPACITOR,ELECT 100MF/50V
C1506	1-137-401-11	s	CAPACITOR,FILM 0.22MF/100V
C1507	1-136-169-00	s	CAPACITOR,FILM 0.22MF/50V
C1508	1-126-934-11	s	CAPACITOR,ELECT 220MF/16V
C1509	1-126-963-11	s	CAPACITOR, ELECT 4.7MF/50V
C1510	1-137-150-11	s	CAPACITOR,FILM 0.01MF/100V(PP)
C1511	1-137-952-11	s	CAPACITOR, ELECT 4.7MF
C1512	1-115-524-11	s	CAPACITOR FILM 1.5MF/250V(S)
C1513	1-102-002-00	s	CAPACITOR,CERAMIC;500V/680PF
C1514	1-107-960-11	s	CAPACITOR,ELECT 4.7MF/250V
C1515	1-115-524-11	s	CAPACITOR FILM 1.5MF/250V(S)
C1516	1-117-665-11	s	CAPACITOR FILM 0.33MF/200V(S)
C1517	1-107-956-11	s	CAPACITOR,ELECT.220MF/200V
C1518	1-137-194-11	s	CAPACITOR FILM 0.47MF/50V
C1519	1-164-645-11	s	CAPACITOR,CERAMIC 1000PF/500V
C1520	1-117-841-31	s	CAP, METALIZED PP FILM 11000PF
C1521	1-130-338-11	s	CAPACITOR,FILM 0.01MF/630V(PP)
C1523	1-129-708-11	s	CAPACITOR,FILM 0.0033MF/630V

(G BOARD (FOR PVM-20))

Ref. No. or Q'ty	Part No.	SP	Description
C1524	1-130-483-00	s	CAPCITOR FILM 0.01MF/50V(PETP)
C1525	1-162-131-11	s	CAPACITOR,CERAMIC 220PF/2KVDC
C1526	1-162-131-11	s	CAPACITOR,CERAMIC 220PF/2KVDC
C1527	1-162-968-11	s	CAPACITOR,CERAMIC 4700PF/50V B
C1528	1-162-968-11	s	CAPACITOR,CERAMIC 4700PF/50V B
C1529	1-104-665-11	s	CAPACITOR, ELECT 100MF/25V
C1530	1-164-004-11	s	CAPACITOR,CERAMIC 0.1MF/25V
C1531	1-107-682-11	s	CAPACITOR,CHIP 1MF/16V (3216)
C1533	1-126-933-11	s	CAPACITOR,ELECT 100MF/16V
C1534	1-126-964-11	s	CAPACITOR, ELECT 10MF/50V
C1535	1-126-933-11	s	CAPACITOR,ELECT 100MF/16V
C1536	1-162-970-11	s	CAPACITOR CERAMIC 0.01MF/25V B
C1550	1-164-004-11	s	CAPACITOR,CERAMIC 0.1MF/25V
C1551	1-164-230-11	s	CAPACITOR,CERAMIC 220PF/50V
C1552	1-126-935-11	s	CAPACITOR,ELECT 470MF/16V
C1553	1-107-910-11	s	CAPACITOR,ELECT 100MF/50V
C1554	1-162-967-11	s	CAPACITOR,CERAMIC 3300PF/50V B
C1555	1-107-826-11	s	CAPACITOR,CHIP CERAMIC 0.1MF
C1556	1-164-004-11	s	CAPACITOR,CERAMIC 0.1MF/25V
C1557	1-136-165-00	s	CAPACITOR,FILM 0.1MF/50V (PP)
C1558	1-128-551-11	s	CAPACITOR ELECT 22MF/63V
C1559	1-136-495-11	s	CAPACITOR,FILM 0.068MF/50V
C1560	1-164-245-11	s	CAPACITOR,CERAMIC 0.015MF/25V
C1561	1-111-104-11	s	CAPACITOR,ELECT 2.2MF/50V
C1562	1-126-963-11	s	CAPACITOR, ELECT 4.7MF/50V
C1563	1-115-414-11	s	CAPACITOR,CHIP CERAMIC 820PF
C1564	1-136-165-00	s	CAPACITOR,FILM 0.1MF/50V (PP)
C1565	1-136-171-00	s	CAPACITOR,FILM 0.33MF/50V
C1566	1-107-826-11	s	CAPACITOR,CHIP CERAMIC 0.1MF
C1567	1-126-964-11	s	CAPACITOR, ELECT 10MF/50V
C1568	1-107-906-11	s	CAPACITOR,ELECT 10MF/50V(105)
C1569	1-126-933-11	s	CAPACITOR,ELECT 100MF/16V
C1570	1-107-826-11	s	CAPACITOR,CHIP CERAMIC 0.1MF
C1571	1-162-970-11	s	CAPACITOR CERAMIC 0.01MF/25V B
C1572	1-162-970-11	s	CAPACITOR CERAMIC 0.01MF/25V B
C1573	1-107-826-11	s	CAPACITOR,CHIP CERAMIC 0.1MF
C1574	1-126-767-11	s	CAPACITOR,ELECT 1000MF/16V
C1575	1-126-767-11	s	CAPACITOR,ELECT 1000MF/16V
C1576	1-107-910-11	s	CAPACITOR,ELECT 100MF/50V
C1577	1-164-004-11	s	CAPACITOR,CERAMIC 0.1MF/25V
C1578	1-107-701-11	s	CAPACITOR, ELECT 47MF/25V(BP)
C1580	1-137-194-11	s	CAPACITOR FILM 0.47MF/50V
C1581	1-162-966-11	s	CAPACITOR,CERAMIC 2200PF/50V B
C3501	1-107-714-11	s	CAPACITOR, ELECT 10MF/50V(BP)
C3502	1-107-905-11	s	CAPACITOR,ELECT 4.7MF/50V
C3503	1-107-905-11	s	CAPACITOR,ELECT 4.7MF/50V
C3504	1-107-909-11	s	CAPACITOR,ELECT 47MF/50V
C3505	1-162-968-11	s	CAPACITOR,CERAMIC 4700PF/50V B
C3506	1-107-906-11	s	CAPACITOR,ELECT 10MF/50V(105)
C3507	1-165-176-11	s	CAPACITOR,CERAMIC 47000PF/16V
C3508	1-107-884-11	s	CAPACITOR,ELECT 1000MF/16V
C3509	1-128-526-11	s	CAPACITOR,ELECT 100MF/25V
C3510	1-128-526-11	s	CAPACITOR,ELECT 100MF/25V
C3511	1-126-964-11	s	CAPACITOR, ELECT 10MF/50V
CN509	1-695-915-11	s	TAB (CONTACT)
CN510	1-564-508-11	o	PLUG,CONNECTOR (5P)
CN601	△ 1-691-960-11	o	PIN,CONNECTOR (PC BOARD) 3P
CN602	△ 1-695-561-11	o	PIN,CONNECTOR (PC BOARD) 7P
CN603	△ 1-508-765-23	o	PIN, CONNECTOR (5MM PITCH) 3P

(G BOARD (FOR PVM-20))

Ref. No. or Q'ty	Part No.	SP	Description	
CN605	1-564-512-11	o	PLUG,CONNECTOR (9P)	
CN607	1-691-096-11	o	PIN,CONNECTOR (PC BOARD) 8P	
CN608	△ 1-508-786-00	o	2P PLUG	
CN1502	1-564-595-11	o	PLUG,CONNECTOR (14P)	
CN1506	1-580-798-11	o	CONNECTOR PIN (DY) 6P	
CN1513	1-695-915-11	s	TAB (CONTACT)	
CN3502	1-564-506-11	o	PLUG,CONNECTOR (3P)	
D501	8-719-302-43	s	DIODE EL1Z	(RECTI)
D502	8-719-073-01	s	DIODE MA111-(K8).SO	
D510	8-719-073-01	s	DIODE MA111-(K8).SO	
D511	8-719-073-01	s	DIODE MA111-(K8).SO	
D512	8-719-073-01	s	DIODE MA111-(K8).SO	
D514	8-719-073-01	s	DIODE MA111-(K8).SO	
D515	8-719-028-72	s	DIODE RGP02-17EL-6433	
D516	8-719-073-01	s	DIODE MA111-(K8).SO	
D517	8-719-109-89	s	DIODE RD5.6ES-B2	
D601	8-719-073-01	s	DIODE MA111-(K8).SO	
D602	8-719-037-54	s	DIODE RD30SB-T1	
D603	△ 8-719-510-53	s	DIODE D4SB60L	
D604	8-719-073-01	s	DIODE MA111-(K8).SO	
D605	8-719-028-72	s	DIODE RGP02-17EL-6433	
D606	8-719-110-31	s	DIODE RD12ESB2	
D607	8-719-073-01	s	DIODE MA111-(K8).SO	
D608	8-719-304-63	s	DIODE RM11C	(RECTI)
D609	8-719-110-67	s	DIODE RD27ES-B2	
D610	8-719-073-01	s	DIODE MA111-(K8).SO	
D611	8-719-082-03	s	DIODE MM3Z15VT1	
D612	8-719-063-73	s	DIODE D1NL20U-TR	
D613	8-719-083-78	s	DIODE 10ERA60-TP	
D614	8-719-510-41	s	DIODE D10SC9M	
D615	8-719-052-91	s	DIODE D4SBS4-F	
D616	8-719-060-89	s	DIODE D4SBS6-F	
D617	8-719-062-40	s	DIODE D4SBL20UF3	
D618	8-719-082-03	s	DIODE MM3Z15VT1	
D619	6-500-449-01	s	DIODE D5LC40	
D620	8-719-110-48	s	DIODE RD18ES-B1	
D621	8-719-073-01	s	DIODE MA111-(K8).SO	
D622	8-719-110-31	s	DIODE RD12ESB2	
D623	8-719-979-58	s	DIODE EGP10D	
D624	8-719-110-53	s	DIODE RD20ES-B2	
D625	8-719-073-01	s	DIODE MA111-(K8).SO	
D626	8-719-073-01	s	DIODE MA111-(K8).SO	
D627	8-719-082-03	s	DIODE MM3Z15VT1	
D628	8-719-073-01	s	DIODE MA111-(K8).SO	
D629	8-719-979-58	s	DIODE EGP10D	
D630	8-719-063-73	s	DIODE D1NL20U-TR	
D631	8-719-979-64	s	DIODE UF4005PKG23	
D632	8-719-073-01	s	DIODE MA111-(K8).SO	
D633	8-719-033-53	s	DIODE RD6.8SB2-T1	
D634	8-719-110-39	s	DIODE RD15ES-B1	
D635	8-719-110-39	s	DIODE RD15ES-B1	
D636	8-719-977-28	s	DIODE DTZ10B	
D1501	8-719-908-03	s	DIODE GP08D	
D1502	8-719-037-00	s	DIODE RD6.2SB2-T1	
D1503	8-719-908-03	s	DIODE GP08D	
D1504	8-719-158-49	s	DIODE RD12SB2	
D1505	8-719-073-01	s	DIODE MA111-(K8).SO	

(G BOARD (FOR PVM-20))

Ref. No. or Q'ty	Part No.	SP	Description	
D1506	8-719-200-02	s	DIODE 10E2	(RECTI)
D1507	8-719-200-02	s	DIODE 10E2	(RECTI)
D1508	8-719-033-83	s	DIODE ERD07-15	
D1509	8-719-048-23	s	DIODE UF5408	
D1510	8-719-048-23	s	DIODE UF5408	
D1511	8-719-037-00	s	DIODE RD6.2SB2-T1	
D1512	8-719-073-01	s	DIODE MA111-(K8).SO	
D1550	8-719-159-12	s	DIODE RD5.1SB2-T2	
D1551	8-719-159-12	s	DIODE RD5.1SB2-T2	
D1552	8-719-050-84	s	DIODE RB441Q-40T-77	
D3501	8-719-081-99	s	DIODE MM3Z13VT1	
F601	△ 1-576-231-11	s	FUSE(H.B.C) (4A/250V)	
FB1501	1-410-396-41	s	FERRITE BEAD INDUCTOR (0.45UH)	
FB1502	1-410-397-21	s	FERRITE BEAD INDUCTOR	
FB1503	1-410-397-21	s	FERRITE BEAD INDUCTOR	
FH601	1-533-223-11	s	CLIP,FUSE	
FH602	1-533-223-11	s	CLIP,FUSE	
IC502	8-759-988-13	s	IC LM393PS	
IC503	8-759-140-85	s	IC UPC1093J	
IC505	8-759-140-85	s	IC UPC1093J	
IC601	8-749-015-89	s	IC MZ1530	
IC602	6-703-355-01	s	IC MCZ3001DA	
IC603	8-759-586-17	s	IC TL1431CZT	
IC604	8-759-394-35	s	IC BA12T	
IC605	8-759-390-57	s	IC UPC2405AHF	
IC606	8-759-390-57	s	IC UPC2405AHF	
IC607	8-759-929-64	s	IC LM7905CT	
IC1501	8-759-339-59	s	IC TDA8177	
IC1502	8-759-701-75	s	IC NJM7805FA	
IC1550	8-759-998-98	s	IC LM358D	
IC1551	8-759-594-40	s	IC CXA8071CP	
IC1552	8-752-053-21	s	IC CXA1211M	
IC3501	6-700-688-01	s	IC AN5278	
JR501	1-216-864-11	s	CONDUCTOR, CHIP (1608)	
JR502	1-216-864-11	s	CONDUCTOR, CHIP (1608)	
JR503	1-216-864-11	s	CONDUCTOR, CHIP (1608)	
JR504	1-216-864-11	s	CONDUCTOR, CHIP (1608)	
JR601	1-216-864-11	s	CONDUCTOR, CHIP (1608)	
L601	1-406-976-11	s	COIL, CHOKE 68UH	
L602	△ 1-419-126-11	s	COIL, CHOKE (AFC) 216UH	
L603	1-412-525-31	s	MICRO INDUCTOR 10UH	
L604	1-412-525-31	s	MICRO INDUCTOR 10UH	
L606	1-412-525-31	s	MICRO INDUCTOR 10UH	
L607	1-412-525-31	s	MICRO INDUCTOR 10UH	
L608	1-412-525-31	s	MICRO INDUCTOR 10UH	
L609	1-412-525-31	s	MICRO INDUCTOR 10UH	
L1501	1-406-977-21	s	COIL, CHOKE 100UH	
L1502	1-459-109-00	s	COIL,DUST CORE	
L1505	1-459-474-11	s	COIL(WITH CORE)	
L1506	1-406-674-11	s	CHOKE COIL 3.3MH	
L1507	1-459-104-00	s	COIL,DUST CORE	
L1508	1-412-533-21	s	MICRO INDUCTOR 47UH	
L1509	1-407-365-00	s	CHOKE COIL,RF	
L1511	1-410-482-31	s	MICRO INDUCTOR 100UH	
L1550	1-410-476-11	s	MICRO INDUCTOR 33UH	

(G BOARD (FOR PVM-20))

Ref. No. or Q'ty	Part No.	SP Description
NL501	1-517-778-21	s LAMP, NEON
PH601	△ 8-749-016-81	s PHOTO COUPLER PC123Y22
PH602	△ 8-749-016-81	s PHOTO COUPLER PC123Y22
Q501	8-729-026-49	s TRANSISTOR 2SA1037AK-T146-R
Q502	8-729-026-49	s TRANSISTOR 2SA1037AK-T146-R
Q503	8-729-120-28	s TRANSISTOR 2SC1623-L5L6
Q504	8-729-117-11	s TRANSISTOR 2SB1151
Q505	8-729-820-53	s TRANSISTOR 2SD1683-T
Q512	8-729-313-42	s TRANSISTOR 2SD1134
Q513	8-729-119-80	s TRANSISTOR 2SC2688-LK
Q601	1-801-806-11	s TRANSISTOR DTC144EKA
Q602	8-729-120-28	s TRANSISTOR 2SC1623-L5L6
Q603	8-729-423-33	s TRANSISTOR 2SC3311A-QRSTA
Q604	8-729-120-28	s TRANSISTOR 2SC1623-L5L6
Q605	8-729-033-26	s TRANSISTOR DTA114GKAT146
Q606	8-729-120-28	s TRANSISTOR 2SC1623-L5L6
Q607	8-729-033-26	s TRANSISTOR DTA114GKAT146
Q608	8-729-200-17	s TRANSISTOR 2SA1091-0
Q609	8-729-033-26	s TRANSISTOR DTA114GKAT146
Q610	8-729-033-24	s TRANSISTOR DTC114GKAT146
Q611	8-729-033-24	s TRANSISTOR DTC114GKAT146
Q612	8-729-033-26	s TRANSISTOR DTA114GKAT146
Q613	1-801-806-11	s TRANSISTOR DTC144EKA
Q614	8-729-140-96	s TRANSISTOR 2SD774-34
Q615	8-729-052-32	s TRANSISTOR IRFIB7N50A
Q616	8-729-052-32	s TRANSISTOR IRFIB7N50A
Q617	8-729-120-28	s TRANSISTOR 2SC1623-L5L6
Q619	8-729-209-60	s TRANSISTOR 2SB1375
Q1501	1-801-806-11	s TRANSISTOR DTC144EKA
Q1502	8-729-120-28	s TRANSISTOR 2SC1623-L5L6
Q1505	8-729-119-80	s TRANSISTOR 2SC2688-LK
Q1506	8-729-049-47	s TRANSISTOR 2SC5450-CA
Q1508	8-729-026-49	s TRANSISTOR 2SA1037AK-T146-R
Q1509	8-729-120-28	s TRANSISTOR 2SC1623-L5L6
Q1550	1-801-806-11	s TRANSISTOR DTC144EKA
Q1551	8-729-026-49	s TRANSISTOR 2SA1037AK-T146-R
Q1552	8-729-027-43	s TRANSISTOR DTC114EKA-T146
Q1553	8-729-027-43	s TRANSISTOR DTC114EKA-T146
Q3501	8-729-422-33	s TRANSISTOR 2SD601A-Q-TX
Q3502	8-729-140-96	s TRANSISTOR 2SD774-34
Q3503	8-729-120-28	s TRANSISTOR 2SC1623-L5L6
R509	1-249-381-11	s RES,CARBON 1 (1/4W)
R510	1-218-894-11	s RESISTOR,CHIP 91K 1/10W (1608)
R511	△ 1-218-877-11	s RESISTOR,CHIP 18K 1/10W (1608)
R514	△ 1-218-871-11	s RESISTOR,CHIP 10K 1/10W (1608)
R515	△ 1-218-871-11	s RESISTOR,CHIP 10K 1/10W (1608)
R516	1-218-839-11	s RESISTOR,CHIP 470 1/10W (1608)
R521	1-249-417-11	s RESISTOR,CARBON 1K 1/4W(SMALL)
R526	1-218-863-11	s RESISTOR,CHIP 4.7K 1/10W(1608)
R527	1-218-863-11	s RESISTOR,CHIP 4.7K 1/10W(1608)
R528	1-218-868-11	s RESISTOR,CHIP 7.5K 1/10W(1608)
R529	1-218-863-11	s RESISTOR,CHIP 4.7K 1/10W(1608)
R530	1-218-863-11	s RESISTOR,CHIP 4.7K 1/10W(1608)
R531	1-218-853-11	s RESISTOR,CHIP 1.8K 1/10W(1608)
R532	1-216-829-11	s RESISTOR,CHIP 4.7K 1/10W(1608)
R533	1-216-809-11	s RESISTOR,CHIP 100 1/10W 1608
R534	1-249-393-11	s RES,CARBON 10 1/4W
R535	1-249-397-11	s RES,CARBON 22 1/4W (SMALL)

(G BOARD (FOR PVM-20))

Ref. No. or Q'ty	Part No.	SP Description
R536	1-249-393-11	s RES,CARBON 10 1/4W
R537	1-216-821-11	s RESISTOR,CHIP 1.0K 1/10W(1608)
R538	1-216-833-11	s RESISTOR,CHIP 10K 1/10W (1608)
R539	1-216-822-11	s RESISTOR, CHIP 1.2K 1/10W 1608
R540	1-216-823-11	s RESISTOR, CHIP 1.5K 1/10W
R541	1-216-845-11	s RESISTOR,CHIP 100K 1/10W(1608)
R542	1-208-610-11	s RESISTOR, METAL FILM 2M
R543	1-218-867-11	s RESISTOR,CHIP 6.8K 1/10W(1608)
R544	1-216-814-11	s RESISTOR,CHIP 270 1/16W 1608
R545	1-218-859-11	s RESISTOR,CHIP 3.3K 1/10W(1608)
R546	1-218-871-11	s RESISTOR,CHIP 10K 1/10W (1608)
R547	1-218-839-11	s RESISTOR,CHIP 470 1/10W (1608)
R548	1-218-865-11	s RESISTOR,CHIP 5.6K 1/10W(1608)
R549	1-216-833-11	s RESISTOR,CHIP 10K 1/10W (1608)
R551	1-218-871-11	s RESISTOR,CHIP 10K 1/10W (1608)
R552	1-218-859-11	s RESISTOR,CHIP 3.3K 1/10W(1608)
R553	1-216-833-11	s RESISTOR,CHIP 10K 1/10W (1608)
R557	1-216-833-11	s RESISTOR,CHIP 10K 1/10W (1608)
R558	1-216-809-11	s RESISTOR,CHIP 100 1/10W 1608
R561	1-216-821-11	s RESISTOR,CHIP 1.0K 1/10W(1608)
R562	1-219-687-11	s RES,HIGH POWER METAL FILM 2.2K
R564	1-219-687-11	s RES,HIGH POWER METAL FILM 2.2K
R565	1-218-848-11	s RESISTOR,CHIP 1.1K 1/10W(1608)
R571	1-216-864-11	s CONDUCTOR, CHIP (1608)
R601	△ 1-219-510-11	s RESISTOR 470K 1/2W (SURGE)
R602	△ 1-219-513-11	s RESISTOR 4.7M 1/2W (SURGE)
R603	△ 1-219-513-11	s RESISTOR 4.7M 1/2W (SURGE)
R604	1-260-081-11	s RESISTOR,CARBON 33 1/2W(SMALL)
R605	1-215-891-11	s RESISTOR,METAL FILM 680/2W
R606	1-216-845-11	s RESISTOR,CHIP 100K 1/10W(1608)
R607	1-216-833-11	s RESISTOR,CHIP 10K 1/10W (1608)
R608	1-216-844-11	s RESISTOR,CHIP 82K 1/16W 1608
R609	1-240-251-11	s RESISTOR,CEMENT 6.8/10W
R610	1-216-829-11	s RESISTOR,CHIP 4.7K 1/10W(1608)
R611	1-216-841-11	s RESISTOR, CHIP 47K 1/10W 1608
R612	1-216-841-11	s RESISTOR, CHIP 47K 1/10W 1608
R613	1-216-833-11	s RESISTOR,CHIP 10K 1/10W (1608)
R614	1-216-821-11	s RESISTOR,CHIP 1.0K 1/10W(1608)
R615	1-207-615-00	s RESISTOR WIREWOUND 0.33/3W
R616	1-207-615-00	s RESISTOR WIREWOUND 0.33/3W
R617	1-218-823-11	s RESISTOR,CHIP 100 1/10W (1608)
R619	1-218-870-11	s RESISTOR,CHIP 9.1K 1/10W(1608)
R621	1-216-817-11	s RESISTOR,CHIP 470 1/10W 1608
R622	1-218-873-11	s RESISTOR,CHIP 12K 1/10W (1608)
R623	1-202-933-61	s RESISTOR, FUSE 0.1 1/2W
R624	1-249-393-11	s RES,CARBON 10 1/4W
R625	1-249-393-11	s RES,CARBON 10 1/4W
R627	1-243-979-71	s RES, OXIDE METAL FILM 0.1
R628	1-216-361-00	s RESISTOR,METAL FILM 0.22/2W
R629	1-216-833-11	s RESISTOR,CHIP 10K 1/10W (1608)
R630	1-216-833-11	s RESISTOR,CHIP 10K 1/10W (1608)
R631	1-211-990-11	s RESISTOR,CHIP 75 1/10W (1608)
R632	1-202-933-61	s RESISTOR, FUSE 0.1 1/2W
R633	1-215-465-00	s RESISTOR,METAL FILM 68K 1/4W
R634	1-218-883-11	s RESISTOR,CHIP 33K 1/10W (1608)
R635	1-218-855-11	s RESISTOR,CHIP 2.2K 1/10W(1608)
R636	1-216-824-11	s RESISTOR, CHIP 1.8K 1/10W 1608
R637	1-216-821-11	s RESISTOR,CHIP 1.0K 1/10W(1608)
R638	1-216-845-11	s RESISTOR,CHIP 100K 1/10W(1608)
R639	1-216-864-11	s CONDUCTOR, CHIP (1608)

(G BOARD (FOR PVM-20))

Ref. No. or Q'ty	Part No.	SP	Description
R640	1-216-817-11	s	RESISTOR,CHIP 470 1/10W 1608
R641	1-202-933-61	s	RESISTOR, FUSE 0.1 1/2W
R642	1-249-409-11	s	RESISTOR,CARBON 220 1/4W SMALL
R643	1-216-492-11	s	RESISTOR,METAL FILM 82K/3W
R644	1-218-887-11	s	RESISTOR,CHIP 47K 1/10W (1608)
R645	1-208-840-11	s	RESISTOR,CHIP 270K 1/10W(2012)
R646	1-208-844-11	s	RESISTOR,CHIP 390K 1/10W(2012)
R647	1-218-849-11	s	RESISTOR,CHIP 1.2K 1/10W(1608)
R648	1-218-875-11	s	RESISTOR,CHIP 15K 1/10W (1608)
R649	1-208-830-11	s	RESISTOR,CHIP 100K 1/10W(2012)
R650	1-216-387-11	s	RESISTOR,METAL FILM 0.68/3W
R651	1-216-833-11	s	RESISTOR,CHIP 10K 1/10W (1608)
R652	1-208-846-11	s	RESISTOR,CHIP 470K 1/10W(2012)
R653	1-218-899-11	s	RESISTOR,CHIP 150K 1/10W(1608)
R654	1-218-847-11	s	RESISTOR, CHIP 1K 1/10W (1608)
R655	1-218-847-11	s	RESISTOR, CHIP 1K 1/10W (1608)
R656	1-218-867-11	s	RESISTOR,CHIP 6.8K 1/10W(1608)
R657	1-216-492-11	s	RESISTOR,METAL FILM 82K/3W
R658	1-216-492-11	s	RESISTOR,METAL FILM 82K/3W
R659	1-216-839-11	s	RESISTOR,CHIP 33K 1/10W 1608
R660	1-249-417-11	s	RESISTOR,CARBON 1K 1/4W(SMALL)
R661	1-216-821-11	s	RESISTOR,CHIP 1.0K 1/10W(1608)
R663	1-216-825-11	s	RESISTOR,CHIP 2.2K 1/10W 1608
R664	1-216-835-11	s	RESISTOR,CHIP 15K 1/10W
R668	1-249-385-11	s	RES,CARBON 2.2 1/4W
R670	1-245-477-21	s	ANTI SURGE RESISTOR 430K
R671	1-245-480-21	s	ANTI SURGE RESISTOR 560K
R674	1-216-841-11	s	RESISTOR, CHIP 47K 1/10W 1608
R676	1-249-417-11	s	RESISTOR,CARBON 1K 1/4W(SMALL)
R1501	1-249-383-11	s	RES,CARBON 1.5 1/4W
R1502	1-249-383-11	s	RES,CARBON 1.5 1/4W
R1503	1-218-827-11	s	RESISTOR,CHIP 150 1/10W(1608)
R1504	1-218-861-11	s	RESISTOR,CHIP 3.9K 1/10W(1608)
R1505	1-216-455-11	s	RESISTOR,METAL FILM 560/2W
R1506	1-216-371-00	s	RESISTOR,METAL FILM 1.5/2W
R1507	1-216-370-11	s	RESISTOR,METAL FILM 1.2/2W
R1508	1-249-383-11	s	RES,CARBON 1.5 1/4W
R1509	1-218-863-11	s	RESISTOR,CHIP 4.7K 1/10W(1608)
R1510	1-249-421-11	s	RESISTOR,CARBON 2.2K 1/4W
R1511	1-216-821-11	s	RESISTOR,CHIP 1.0K 1/10W(1608)
R1512	1-216-829-11	s	RESISTOR,CHIP 4.7K 1/10W(1608)
R1513	1-216-849-11	s	RESISTOR,CHIP 220K 1/16W 1608
R1514	1-218-849-11	s	RESISTOR,CHIP 1.2K 1/10W(1608)
R1515	1-216-833-11	s	RESISTOR,CHIP 10K 1/10W (1608)
R1516	1-216-841-11	s	RESISTOR, CHIP 47K 1/10W 1608
R1517	1-216-821-11	s	RESISTOR,CHIP 1.0K 1/10W(1608)
R1518	1-216-839-11	s	RESISTOR,CHIP 33K 1/10W 1608
R1520	1-216-823-11	s	RESISTOR, CHIP 1.5K 1/10W
R1521	1-216-833-11	s	RESISTOR,CHIP 10K 1/10W (1608)
R1522	1-216-839-11	s	RESISTOR,CHIP 33K 1/10W 1608
R1523	1-215-869-11	s	RESISTOR,METAL FILM 1K/1W
R1524	1-216-427-00	s	RESISTOR,METAL FILM 120/1W
R1525	1-216-360-11	s	RESISTOR,METAL FILM 8.2/1W
R1526	1-215-919-11	s	RESISTOR,METAL FILM 2.2K/3W
R1527	1-216-825-11	s	RESISTOR,CHIP 2.2K 1/10W 1608
R1528	1-216-821-11	s	RESISTOR,CHIP 1.0K 1/10W(1608)
R1529	1-216-827-11	s	RESISTOR, CHIP 3.3K 1/10W 1608
R1531	1-249-417-11	s	RESISTOR,CARBON 1K 1/4W(SMALL)
R1532	1-216-837-11	s	RESISTOR,CHIP 22K 1/16W 1608
R1533	1-216-809-11	s	RESISTOR,CHIP 100 1/10W 1608

(G BOARD (FOR PVM-20))

Ref. No. or Q'ty	Part No.	SP	Description
R1534	1-216-833-11	s	RESISTOR,CHIP 10K 1/10W (1608)
R1535	1-216-821-11	s	RESISTOR,CHIP 1.0K 1/10W(1608)
R1536	1-216-809-11	s	RESISTOR,CHIP 100 1/10W 1608
R1537	1-216-833-11	s	RESISTOR,CHIP 10K 1/10W (1608)
R1538	1-218-847-11	s	RESISTOR, CHIP 1K 1/10W (1608)
R1539	1-218-823-11	s	RESISTOR,CHIP 100 1/10W (1608)
R1540	1-249-411-11	s	RES,CARBON 330 1/4W SMALL
R1541	1-216-833-11	s	RESISTOR,CHIP 10K 1/10W (1608)
R1542	1-215-919-11	s	RESISTOR,METAL FILM 2.2K/3W
R1543	1-216-365-00	s	RESISTOR,METAL FILM 0.47/2W
R1544	1-216-864-11	s	CONDUCTOR, CHIP (1608)
R1545	1-249-430-11	s	RES,CARBON 12K 1/4W
R1550	1-218-869-11	s	RESISTOR,CHIP 8.2K 1/10W(1608)
R1551	1-218-871-11	s	RESISTOR,CHIP 10K 1/10W (1608)
R1552	1-218-831-11	s	RESISTOR, CHIP 220 1/10W(1608)
R1553	1-260-093-11	s	RESISTOR,CARBON 330 1/2W
R1554	1-216-809-11	s	RESISTOR,CHIP 100 1/10W 1608
R1557	1-216-801-11	s	RESISTOR,CHIP 22 1/10W (1608)
R1558	1-216-809-11	s	RESISTOR,CHIP 100 1/10W 1608
R1559	1-216-835-11	s	RESISTOR,CHIP 15K 1/10W
R1560	1-218-902-11	s	RESISTOR,CHIP 200K 1/10W(1608)
R1561	1-216-801-11	s	RESISTOR,CHIP 22 1/10W (1608)
R1562	1-216-821-11	s	RESISTOR,CHIP 1.0K 1/10W(1608)
R1563	1-216-809-11	s	RESISTOR,CHIP 100 1/10W 1608
R1564	1-216-862-11	s	RESISTOR,CHIP 2.7M 1/16W 1608
R1565	1-216-829-11	s	RESISTOR,CHIP 4.7K 1/10W(1608)
R1566	1-216-809-11	s	RESISTOR,CHIP 100 1/10W 1608
R1567	1-218-859-11	s	RESISTOR,CHIP 3.3K 1/10W(1608)
R1568	1-218-847-11	s	RESISTOR,CHIP 1K 1/10W(1608)
R1569	1-218-858-11	s	RESISTOR, CHIP 3K 1/10W (1608)
R1570	1-218-871-11	s	RESISTOR,CHIP 10K 1/10W (1608)
R1571	1-218-859-11	s	RESISTOR,CHIP 3.3K 1/10W(1608)
R1572	1-216-809-11	s	RESISTOR,CHIP 100 1/10W 1608
R1573	1-216-853-11	s	RESISTOR,CHIP 470K 1/16W(1608)
R1574	1-218-845-11	s	RESISTOR,CHIP 820 1/10W (1608)
R1575	1-218-847-11	s	RESISTOR, CHIP 1K 1/10W (1608)
R1576	1-218-823-11	s	RESISTOR,CHIP 100 1/10W (1608)
R1577	1-216-837-11	s	RESISTOR,CHIP 22K 1/16W 1608
R1578	1-216-809-11	s	RESISTOR,CHIP 100 1/10W 1608
R1579	1-216-825-11	s	RESISTOR,CHIP 2.2K 1/10W 1608
R1580	1-216-827-11	s	RESISTOR, CHIP 3.3K 1/10W 1608
R1581	1-218-861-11	s	RESISTOR,CHIP 3.9K 1/10W(1608)
R1582	1-216-825-11	s	RESISTOR,CHIP 2.2K 1/10W 1608
R1583	1-218-865-11	s	RESISTOR,CHIP 5.6K 1/10W(1608)
R1584	1-218-871-11	s	RESISTOR,CHIP 10K 1/10W (1608)
R1585	1-218-895-11	s	RESISTOR,CHIP 100K 1/10W(1608)
R3501	1-216-829-11	s	RESISTOR,CHIP 4.7K 1/10W(1608)
R3502	1-216-821-11	s	RESISTOR,CHIP 1.0K 1/10W(1608)
R3503	1-216-833-11	s	RESISTOR,CHIP 10K 1/10W (1608)
R3505	1-218-867-11	s	RESISTOR,CHIP 6.8K 1/10W(1608)
R3506	1-218-866-11	s	RESISTOR,CHIP 6.2K 1/10W(1608)
R3507	1-216-837-11	s	RESISTOR,CHIP 22K 1/16W 1608
R3508	1-216-829-11	s	RESISTOR,CHIP 4.7K 1/10W(1608)
R3509	1-212-857-00	s	RESISTOR,FUSE 10 1/4W
R3511	1-260-095-11	s	RESISTOR,CARBON 470 1/2W
R3512	1-216-813-11	s	RESISTOR, CHIP 220 1/10W 1608
R3513	1-216-833-11	s	RESISTOR,CHIP 10K 1/10W (1608)
R3514	1-216-821-11	s	RESISTOR,CHIP 1.0K 1/10W(1608)

(G BOARD (FOR PVM-20))

H BOARD

Ref. No. or Q'ty	Part No.	SP	Description
RV1501	1-223-102-00	s	RESISTOR,ADJUST,WIREWOUND 120
RY601	△ 1-755-318-11	s	RELAY, POWER
RY602	△ 1-755-318-11	s	RELAY, POWER
T501	1-424-555-11	s	TRANSFORMER,FERRITE(DFT)
T502	△ 1-453-446-11	s	R/P FBT ASSY (NX-4525//M3A4)
T601	△ 1-429-180-11	s	TRANSFORMER, LINE FILTER
T602	△ 1-443-028-11	s	CONVERTER TRANSFORMER (PIT)
T1501	1-460-017-11	s	TRANSFORMER, H-LINEARITY
T1502	1-426-668-11	s	TRANSFORMER, FERRITE (HDT)
THP601	△ 1-809-827-11	s	THERMISTOR, POSITIVE
VDR601	△ 1-810-622-11	s	VARISTOR
VDR602	△ 1-803-830-31	s	VARISTOR (ERZV14D621)
VDR603	△ 1-803-830-31	s	VARISTOR (ERZV14D621)
VDR604	△ 1-801-268-51	s	VARISTOR ERZV14D471
VDR605	△ 1-801-268-51	s	VARISTOR ERZV14D471
X1550	1-767-933-11	s	OSCILLATOR, CERAMIC (500KHZ)

Ref. No. or Q'ty	Part No.	SP	Description
1pc	A-1052-921-A	s	MOUNTED CIRCUIT BOARD, H
1pc	4-348-208-00	o	HOLDER,LED
CN51	1-564-528-11	s	PLUG,CONNECTOR (13P)(L-TYPE)
CN52	1-564-524-11	o	PLUG,CONNECTOR (9P)(L-TYPE)
D51	8-719-301-42	s	DIODE SEL2410E
R51	1-249-419-11	s	RESISTOR,CARBON 1.5K 1/4W
R52	1-249-430-11	s	RES,CARBON 12K 1/4W
R53	1-249-414-11	s	RESISTOR,CARBON 560 1/4W SMALL
R54	1-249-414-11	s	RESISTOR,CARBON 560 1/4W SMALL
R55	1-249-414-11	s	RESISTOR,CARBON 560 1/4W SMALL
R56	1-249-414-11	s	RESISTOR,CARBON 560 1/4W SMALL
R57	1-249-414-11	s	RESISTOR,CARBON 560 1/4W SMALL
R58	1-249-414-11	s	RESISTOR,CARBON 560 1/4W SMALL
R59	1-249-414-11	s	RESISTOR,CARBON 560 1/4W SMALL
R60	1-249-414-11	s	RESISTOR,CARBON 560 1/4W SMALL
R61	1-249-414-11	s	RESISTOR,CARBON 560 1/4W SMALL
R62	1-249-414-11	s	RESISTOR,CARBON 560 1/4W SMALL
R63	1-249-422-11	s	RES,CARBON 2.7K 1/4W SMALL
R64	1-249-416-11	s	RES,CARBON 820 1/4W
R65	1-249-412-11	s	RES,CARBON 390 1/4W (SMALL)
R66	1-249-410-11	s	RES,CARBON 270 1/4W (SMALL)
R67	1-249-422-11	s	RES,CARBON 2.7K 1/4W SMALL
R68	1-249-416-11	s	RES,CARBON 820 1/4W
R69	1-249-412-11	s	RES,CARBON 390 1/4W (SMALL)
R70	1-249-410-11	s	RES,CARBON 270 1/4W (SMALL)
R71	1-249-416-11	s	RES,CARBON 820 1/4W
R72	1-249-412-11	s	RES,CARBON 390 1/4W (SMALL)
R73	1-249-410-11	s	RES,CARBON 270 1/4W (SMALL)
RV51	1-225-391-11	s	RESISTOR, VAR, CARBON 20K
RV52	1-225-391-11	s	RESISTOR, VAR, CARBON 20K
RV53	1-225-391-11	s	RESISTOR, VAR, CARBON 20K
RV54	1-225-391-11	s	RESISTOR, VAR, CARBON 20K
RV55	1-225-391-11	s	RESISTOR, VAR, CARBON 20K
S51	1-572-811-21	s	SWITCH,TACTILE(EXT SWC)
S52	1-572-811-21	s	SWITCH,TACTILE(16:9)
S53	1-572-811-21	s	SWITCH,TACTILE(U/S)
S54	1-572-811-21	s	SWITCH,TACTILE(B/O)
S55	1-572-811-21	s	SWITCH,TACTILE(DEGAUSS)
S56	1-572-811-21	s	SWITCH,TACTILE(OP B)
S57	1-572-811-21	s	SWITCH,TACTILE(OP A)
S58	1-572-811-21	s	SWITCH,TACTILE(RGB COMP)
S59	1-572-811-21	s	SWITCH,TACTILE(LINE B)
S60	1-572-811-21	s	SWITCH,TACTILE(LINE A)
S61	1-771-328-11	s	SWITCH, TACTILE(MENU)
S62	1-771-328-11	s	SWITCH, TACTILE(UP)
S63	1-771-328-11	s	SWITCH, TACTILE(DOWN)
S64	1-771-328-11	s	SWITCH, TACTILE(ENTER)

 J BOARD

Ref. No. or Q'ty	Part No.	SP Description
CN011	1-695-561-11	o PIN,CONNECTOR (PC BOARD) 7P

 Q BOARD

Ref. No. or Q'ty	Part No.	SP Description
1pc	8-330-030-82	s Q BLOCK ASSY(WITH MOUNT)
2pcs	4-042-408-01	o PIN, COATING LEAD
2pcs	7-685-135-19	s SCREW +PTP2.6X10(EP-FE/ZNBK/CM)
C2700	1-126-514-11	s CAPACITOR,ELECT 22MF/16V
C2701	1-126-514-11	s CAPACITOR,ELECT 22MF/16V
C2702	1-162-995-11	s CAPACITOR,CERAMIC 0.022MF/50V
C2703	1-126-514-11	s CAPACITOR,ELECT 22MF/16V
C2704	1-126-514-11	s CAPACITOR,ELECT 22MF/16V
C2705	1-126-514-11	s CAPACITOR,ELECT 22MF/16V
C2710	1-126-514-11	s CAPACITOR,ELECT 22MF/16V
C2711	1-126-514-11	s CAPACITOR,ELECT 22MF/16V
C2712	1-162-995-11	s CAPACITOR,CERAMIC 0.022MF/50V
C2713	1-126-514-11	s CAPACITOR,ELECT 22MF/16V
C2719	1-126-795-11	s CAPACITOR, ELECT 10MF/50V
C2720	1-107-826-11	s CAPACITOR,CHIP CERAMIC 0.1MF
C2721	1-126-514-11	s CAPACITOR,ELECT 22MF/16V
C2722	1-162-995-11	s CAPACITOR,CERAMIC 0.022MF/50V
C2730	1-126-795-11	s CAPACITOR, ELECT 10MF/50V
C2731	1-126-514-11	s CAPACITOR,ELECT 22MF/16V
C2732	1-162-995-11	s CAPACITOR,CERAMIC 0.022MF/50V
C2733	1-126-795-11	s CAPACITOR, ELECT 10MF/50V
C2740	1-126-514-11	s CAPACITOR,ELECT 22MF/16V
C2741	1-126-514-11	s CAPACITOR,ELECT 22MF/16V
C2742	1-162-995-11	s CAPACITOR,CERAMIC 0.022MF/50V
C2743	1-126-514-11	s CAPACITOR,ELECT 22MF/16V
C2750	1-126-795-11	s CAPACITOR, ELECT 10MF/50V
C2751	1-126-514-11	s CAPACITOR,ELECT 22MF/16V
C2752	1-162-995-11	s CAPACITOR,CERAMIC 0.022MF/50V
C2753	1-126-795-11	s CAPACITOR, ELECT 10MF/50V
C2760	1-126-795-11	s CAPACITOR, ELECT 10MF/50V
C2761	1-126-514-11	s CAPACITOR,ELECT 22MF/16V
C2762	1-162-995-11	s CAPACITOR,CERAMIC 0.022MF/50V
C2763	1-126-795-11	s CAPACITOR, ELECT 10MF/50V
C2770	1-126-795-11	s CAPACITOR, ELECT 10MF/50V
C2771	1-126-514-11	s CAPACITOR,ELECT 22MF/16V
C2772	1-162-995-11	s CAPACITOR,CERAMIC 0.022MF/50V
C2773	1-126-795-11	s CAPACITOR, ELECT 10MF/50V
C2780	1-126-786-11	s CAPACITOR,ELECT 47MF/16V
C2782	1-126-786-11	s CAPACITOR,ELECT 47MF/16V
C2783	1-126-786-11	s CAPACITOR,ELECT 47MF/16V
C2785	1-126-786-11	s CAPACITOR,ELECT 47MF/16V
C2787	1-126-786-11	s CAPACITOR,ELECT 47MF/16V
C2789	1-126-786-11	s CAPACITOR,ELECT 47MF/16V
C2790	1-126-795-11	s CAPACITOR, ELECT 10MF/50V
C2791	1-126-514-11	s CAPACITOR,ELECT 22MF/16V
C2792	1-162-974-11	s CAPACITOR,CERAMIC 0.01MF/50V F
C2793	1-126-786-11	s CAPACITOR,ELECT 47MF/16V
C3700	1-126-514-11	s CAPACITOR,ELECT 22MF/16V
C3701	1-162-970-11	s CAPACITOR CERAMIC 0.01MF/25V B
C3702	1-126-514-11	s CAPACITOR,ELECT 22MF/16V
C3703	1-162-995-11	s CAPACITOR,CERAMIC 0.022MF/50V
C3704	1-126-514-11	s CAPACITOR,ELECT 22MF/16V
C3705	1-162-995-11	s CAPACITOR,CERAMIC 0.022MF/50V
C3710	1-126-514-11	s CAPACITOR,ELECT 22MF/16V
C3711	1-162-970-11	s CAPACITOR CERAMIC 0.01MF/25V B
C3712	1-126-514-11	s CAPACITOR,ELECT 22MF/16V
C3713	1-162-995-11	s CAPACITOR,CERAMIC 0.022MF/50V
C3714	1-126-514-11	s CAPACITOR,ELECT 22MF/16V
C3715	1-162-995-11	s CAPACITOR,CERAMIC 0.022MF/50V

(Q BOARD)

Ref. No. or Q'ty	Part No.	SP	Description
C3720	1-126-514-11	s	CAPACITOR,ELECT 22MF/16V
C3721	1-162-970-11	s	CAPACITOR,CERAMIC 0.01MF/25V B
C3722	1-126-514-11	s	CAPACITOR,ELECT 22MF/16V
C3723	1-162-995-11	s	CAPACITOR,CERAMIC 0.022MF/50V
C3724	1-126-514-11	s	CAPACITOR,ELECT 22MF/16V
C3725	1-162-995-11	s	CAPACITOR,CERAMIC 0.022MF/50V
C3730	1-126-514-11	s	CAPACITOR,ELECT 22MF/16V
C3731	1-126-514-11	s	CAPACITOR,ELECT 22MF/16V
C3732	1-162-995-11	s	CAPACITOR,CERAMIC 0.022MF/50V
C3740	1-126-795-11	s	CAPACITOR, ELECT 10MF/50V
C3741	1-126-514-11	s	CAPACITOR,ELECT 22MF/16V
C3742	1-162-995-11	s	CAPACITOR,CERAMIC 0.022MF/50V
C3743	1-126-795-11	s	CAPACITOR, ELECT 10MF/50V
C3770	1-126-786-11	s	CAPACITOR,ELECT 47MF/16V
C3771	1-165-176-11	s	CAPACITOR,CERAMIC 47000PF/16V
C3772	1-162-964-11	s	CAPACITOR,CERAMIC 1000PF/50V B
C3773	1-162-964-11	s	CAPACITOR,CERAMIC 1000PF/50V B
C3774	1-162-964-11	s	CAPACITOR,CERAMIC 1000PF/50V B
C3775	1-162-964-11	s	CAPACITOR,CERAMIC 1000PF/50V B
C3776	1-162-964-11	s	CAPACITOR,CERAMIC 1000PF/50V B
C3777	1-162-964-11	s	CAPACITOR,CERAMIC 1000PF/50V B
C3778	1-162-964-11	s	CAPACITOR,CERAMIC 1000PF/50V B
C3779	1-162-964-11	s	CAPACITOR,CERAMIC 1000PF/50V B
C3780	1-164-227-11	s	CAPACITOR,CERAMIC 0.022MF/25V
C3781	1-164-227-11	s	CAPACITOR,CERAMIC 0.022MF/25V
C3782	1-164-227-11	s	CAPACITOR,CERAMIC 0.022MF/25V
C3783	1-164-227-11	s	CAPACITOR,CERAMIC 0.022MF/25V
C3784	1-164-227-11	s	CAPACITOR,CERAMIC 0.022MF/25V
C3785	1-164-227-11	s	CAPACITOR,CERAMIC 0.022MF/25V
C3786	1-164-227-11	s	CAPACITOR,CERAMIC 0.022MF/25V
CN2701	1-569-023-11	s	JACK, MODULAR 8P
CN2702	1-565-167-12	s	TERMINAL, (S) (WITH SW) 4P
CN2703	1-569-578-11	s	TERMINAL, S (WITH SW)
CN2705	1-564-524-11	o	PLUG,CONNECTOR (9P) (L-TYPE)
CN2707	1-564-523-11	o	PLUG,CONNECTOR (8P) (L-TYPE)
CN2710	1-564-523-11	o	PLUG,CONNECTOR (8P) (L-TYPE)
D2700	8-719-800-76	s	DIODE 1SS226
D2710	8-719-800-76	s	DIODE 1SS226
D2720	8-719-800-76	s	DIODE 1SS226
D2730	8-719-800-76	s	DIODE 1SS226
D2740	8-719-800-76	s	DIODE 1SS226
D2750	8-719-800-76	s	DIODE 1SS226
D2760	8-719-800-76	s	DIODE 1SS226
D2770	8-719-800-76	s	DIODE 1SS226
D3700	8-719-800-76	s	DIODE 1SS226
D3701	8-719-073-01	s	DIODE MA111-(K8).SO
D3702	8-719-073-01	s	DIODE MA111-(K8).SO
D3710	8-719-800-76	s	DIODE 1SS226
D3711	8-719-073-01	s	DIODE MA111-(K8).SO
D3712	8-719-073-01	s	DIODE MA111-(K8).SO
D3720	8-719-800-76	s	DIODE 1SS226
D3721	8-719-073-01	s	DIODE MA111-(K8).SO
D3722	8-719-073-01	s	DIODE MA111-(K8).SO
D3730	8-719-800-76	s	DIODE 1SS226
D3731	8-719-073-01	s	DIODE MA111-(K8).SO
D3740	8-719-800-76	s	DIODE 1SS226
IC2780	8-759-446-66	s	IC MM1113XFBE
IC2781	8-759-710-86	s	IC NJM2233BM

(Q BOARD)

Ref. No. or Q'ty	Part No.	SP	Description
IC2782	8-759-446-66	s	IC MM1113XFBE
IC2783	8-759-446-66	s	IC MM1113XFBE
IC2784	8-759-446-66	s	IC MM1113XFBE
IC2785	8-759-710-86	s	IC NJM2233BM
IC3770	8-759-484-12	s	IC BU4021BF-E2
Q2700	8-729-120-28	s	TRANSISTOR 2SC1623-L5L6
Q2710	8-729-120-28	s	TRANSISTOR 2SC1623-L5L6
Q2720	8-729-120-28	s	TRANSISTOR 2SC1623-L5L6
Q2730	8-729-026-49	s	TRANSISTOR 2SA1037AK-T146-R
Q2740	8-729-120-28	s	TRANSISTOR 2SC1623-L5L6
Q2750	8-729-026-49	s	TRANSISTOR 2SA1037AK-T146-R
Q2760	8-729-026-49	s	TRANSISTOR 2SA1037AK-T146-R
Q2770	8-729-026-49	s	TRANSISTOR 2SA1037AK-T146-R
Q2780	8-729-026-49	s	TRANSISTOR 2SA1037AK-T146-R
Q3700	8-729-026-49	s	TRANSISTOR 2SA1037AK-T146-R
Q3701	8-729-120-28	s	TRANSISTOR 2SC1623-L5L6
Q3702	8-729-027-38	s	TRANSISTOR DTA144EKA-T146
Q3703	1-801-806-11	s	TRANSISTOR DTC144EKA
Q3710	8-729-026-49	s	TRANSISTOR 2SA1037AK-T146-R
Q3711	8-729-120-28	s	TRANSISTOR 2SC1623-L5L6
Q3712	8-729-027-38	s	TRANSISTOR DTA144EKA-T146
Q3720	8-729-026-49	s	TRANSISTOR 2SA1037AK-T146-R
Q3721	8-729-120-28	s	TRANSISTOR 2SC1623-L5L6
Q3722	8-729-027-38	s	TRANSISTOR DTA144EKA-T146
Q3730	8-729-120-28	s	TRANSISTOR 2SC1623-L5L6
Q3740	8-729-026-49	s	TRANSISTOR 2SA1037AK-T146-R
R2700	1-214-837-11	s	RESISTOR,METAL FILM 75,1/2W
R2701	1-216-821-11	s	RESISTOR,CHIP 1.0K 1/10W(1608)
R2702	1-216-843-11	s	RESISTOR,CHIP 68K 1/10W (1608)
R2703	1-216-842-11	s	RESISTOR,CHIP 56K 1/16W(1608)
R2704	1-216-821-11	s	RESISTOR,CHIP 1.0K 1/10W(1608)
R2705	1-216-815-11	s	RESISTOR,CHIP 330 1/10W 1608
R2706	1-216-837-11	s	RESISTOR,CHIP 22K 1/16W 1608
R2707	1-216-837-11	s	RESISTOR,CHIP 22K 1/16W 1608
R2708	1-216-837-11	s	RESISTOR,CHIP 22K 1/16W 1608
R2709	1-216-837-11	s	RESISTOR,CHIP 22K 1/16W 1608
R2710	1-214-837-11	s	RESISTOR,METAL FILM 75,1/2W
R2711	1-216-821-11	s	RESISTOR,CHIP 1.0K 1/10W(1608)
R2712	1-216-843-11	s	RESISTOR,CHIP 68K 1/10W (1608)
R2713	1-216-842-11	s	RESISTOR,CHIP 56K 1/16W(1608)
R2714	1-216-821-11	s	RESISTOR,CHIP 1.0K 1/10W(1608)
R2715	1-216-815-11	s	RESISTOR,CHIP 330 1/10W 1608
R2720	1-214-837-11	s	RESISTOR,METAL FILM 75,1/2W
R2721	1-216-821-11	s	RESISTOR,CHIP 1.0K 1/10W(1608)
R2722	1-216-843-11	s	RESISTOR,CHIP 68K 1/10W (1608)
R2723	1-216-842-11	s	RESISTOR,CHIP 56K 1/16W(1608)
R2724	1-216-828-11	s	RESISTOR, CHIP 3.9K 1/10W 1608
R2725	1-216-815-11	s	RESISTOR,CHIP 330 1/10W 1608
R2726	1-216-821-11	s	RESISTOR,CHIP 1.0K 1/10W(1608)
R2730	1-214-911-11	s	RESISTOR,METAL FILM 82K/1/2W
R2731	1-216-845-11	s	RESISTOR,CHIP 100K 1/10W(1608)
R2732	1-216-854-11	s	RESISTOR, CHIP 560K 1/16W 1608
R2733	1-216-849-11	s	RESISTOR,CHIP 220K 1/16W 1608
R2734	1-216-835-11	s	RESISTOR,CHIP 15K 1/10W
R2735	1-216-809-11	s	RESISTOR,CHIP 100 1/10W 1608
R2740	1-214-837-11	s	RESISTOR,METAL FILM 75,1/2W
R2741	1-216-821-11	s	RESISTOR,CHIP 1.0K 1/10W(1608)
R2742	1-216-843-11	s	RESISTOR,CHIP 68K 1/10W (1608)

(Q BOARD)

Ref. No. or Q'ty	Part No.	SP	Description
R2743	1-216-842-11	s	RESISTOR,CHIP 56K 1/16W(1608)
R2744	1-216-821-11	s	RESISTOR,CHIP 1.0K 1/10W(1608)
R2745	1-216-815-11	s	RESISTOR,CHIP 330 1/10W 1608
R2750	1-214-911-11	s	RESISTOR,METAL FILM 82K/1/2W
R2751	1-216-845-11	s	RESISTOR,CHIP 100K 1/10W(1608)
R2752	1-216-854-11	s	RESISTOR, CHIP 560K 1/16W 1608
R2753	1-216-849-11	s	RESISTOR,CHIP 220K 1/16W 1608
R2754	1-216-835-11	s	RESISTOR,CHIP 15K 1/10W
R2755	1-216-809-11	s	RESISTOR,CHIP 100 1/10W 1608
R2760	1-214-911-11	s	RESISTOR,METAL FILM 82K/1/2W
R2761	1-216-845-11	s	RESISTOR,CHIP 100K 1/10W(1608)
R2762	1-216-854-11	s	RESISTOR, CHIP 560K 1/16W 1608
R2763	1-216-849-11	s	RESISTOR,CHIP 220K 1/16W 1608
R2764	1-216-835-11	s	RESISTOR,CHIP 15K 1/10W
R2765	1-216-809-11	s	RESISTOR,CHIP 100 1/10W 1608
R2770	1-214-911-11	s	RESISTOR,METAL FILM 82K/1/2W
R2771	1-216-845-11	s	RESISTOR,CHIP 100K 1/10W(1608)
R2772	1-216-854-11	s	RESISTOR, CHIP 560K 1/16W 1608
R2773	1-216-849-11	s	RESISTOR,CHIP 220K 1/16W 1608
R2774	1-216-835-11	s	RESISTOR,CHIP 15K 1/10W
R2775	1-216-809-11	s	RESISTOR,CHIP 100 1/10W 1608
R2780	1-216-821-11	s	RESISTOR,CHIP 1.0K 1/10W(1608)
R2781	1-216-821-11	s	RESISTOR,CHIP 1.0K 1/10W(1608)
R2782	1-216-821-11	s	RESISTOR,CHIP 1.0K 1/10W(1608)
R2783	1-216-821-11	s	RESISTOR,CHIP 1.0K 1/10W(1608)
R2784	1-216-815-11	s	RESISTOR,CHIP 330 1/10W 1608
R2785	1-216-827-11	s	RESISTOR, CHIP 3.3K 1/10W 1608
R2786	1-216-808-11	s	RESISTOR,CHIP 82 1/16W 1608
R2787	1-216-821-11	s	RESISTOR,CHIP 1.0K 1/10W(1608)
R2788	1-216-821-11	s	RESISTOR,CHIP 1.0K 1/10W(1608)
R2789	1-216-821-11	s	RESISTOR,CHIP 1.0K 1/10W(1608)
R2790	1-216-821-11	s	RESISTOR,CHIP 1.0K 1/10W(1608)
R2791	1-216-821-11	s	RESISTOR,CHIP 1.0K 1/10W(1608)
R2792	1-216-821-11	s	RESISTOR,CHIP 1.0K 1/10W(1608)
R2793	1-216-821-11	s	RESISTOR,CHIP 1.0K 1/10W(1608)
R2794	1-216-821-11	s	RESISTOR,CHIP 1.0K 1/10W(1608)
R2795	1-216-821-11	s	RESISTOR,CHIP 1.0K 1/10W(1608)
R2796	1-216-821-11	s	RESISTOR,CHIP 1.0K 1/10W(1608)
R2797	1-216-821-11	s	RESISTOR,CHIP 1.0K 1/10W(1608)
R3700	1-214-837-11	s	RESISTOR,METAL FILM 75,1/2W
R3701	1-216-841-11	s	RESISTOR, CHIP 47K 1/10W 1608
R3702	1-216-809-11	s	RESISTOR,CHIP 100 1/10W 1608
R3703	1-216-825-11	s	RESISTOR,CHIP 2.2K 1/10W 1608
R3704	1-216-845-11	s	RESISTOR,CHIP 100K 1/10W(1608)
R3705	1-216-809-11	s	RESISTOR,CHIP 100 1/10W 1608
R3706	1-216-845-11	s	RESISTOR,CHIP 100K 1/10W(1608)
R3707	1-216-803-11	s	RESISTOR,CHIP 33 1/16W (1608)
R3708	1-216-833-11	s	RESISTOR,CHIP 10K 1/10W (1608)
R3710	1-214-837-11	s	RESISTOR,METAL FILM 75,1/2W
R3711	1-216-841-11	s	RESISTOR, CHIP 47K 1/10W 1608
R3712	1-216-809-11	s	RESISTOR,CHIP 100 1/10W 1608
R3713	1-216-825-11	s	RESISTOR,CHIP 2.2K 1/10W 1608
R3714	1-216-845-11	s	RESISTOR,CHIP 100K 1/10W(1608)
R3715	1-216-809-11	s	RESISTOR,CHIP 100 1/10W 1608
R3716	1-216-845-11	s	RESISTOR,CHIP 100K 1/10W(1608)
R3717	1-216-803-11	s	RESISTOR,CHIP 33 1/16W (1608)
R3720	1-214-837-11	s	RESISTOR,METAL FILM 75,1/2W
R3721	1-216-841-11	s	RESISTOR, CHIP 47K 1/10W 1608
R3722	1-216-809-11	s	RESISTOR,CHIP 100 1/10W 1608

(Q BOARD)

Ref. No. or Q'ty	Part No.	SP	Description
R3723	1-216-825-11	s	RESISTOR,CHIP 2.2K 1/10W 1608
R3724	1-216-845-11	s	RESISTOR,CHIP 100K 1/10W(1608)
R3725	1-216-809-11	s	RESISTOR,CHIP 100 1/10W 1608
R3726	1-216-845-11	s	RESISTOR,CHIP 100K 1/10W(1608)
R3727	1-216-803-11	s	RESISTOR,CHIP 33 1/16W (1608)
R3730	1-214-837-11	s	RESISTOR,METAL FILM 75,1/2W
R3731	1-216-821-11	s	RESISTOR,CHIP 1.0K 1/10W(1608)
R3732	1-216-841-11	s	RESISTOR, CHIP 47K 1/10W 1608
R3733	1-216-835-11	s	RESISTOR,CHIP 15K 1/10W
R3734	1-216-821-11	s	RESISTOR,CHIP 1.0K 1/10W(1608)
R3735	1-216-815-11	s	RESISTOR,CHIP 330 1/10W 1608
R3740	1-214-911-11	s	RESISTOR,METAL FILM 82K/1/2W
R3741	1-216-845-11	s	RESISTOR,CHIP 100K 1/10W(1608)
R3742	1-216-854-11	s	RESISTOR, CHIP 560K 1/16W 1608
R3743	1-216-849-11	s	RESISTOR,CHIP 220K 1/16W 1608
R3744	1-216-835-11	s	RESISTOR,CHIP 15K 1/10W
R3745	1-216-809-11	s	RESISTOR,CHIP 100 1/10W 1608
R3770	1-216-833-11	s	RESISTOR,CHIP 10K 1/10W (1608)
R3771	1-216-833-11	s	RESISTOR,CHIP 10K 1/10W (1608)
R3772	1-216-833-11	s	RESISTOR,CHIP 10K 1/10W (1608)
R3773	1-216-833-11	s	RESISTOR,CHIP 10K 1/10W (1608)
R3774	1-216-833-11	s	RESISTOR,CHIP 10K 1/10W (1608)
R3775	1-216-833-11	s	RESISTOR,CHIP 10K 1/10W (1608)
R3776	1-216-833-11	s	RESISTOR,CHIP 10K 1/10W (1608)
R3777	1-216-841-11	s	RESISTOR, CHIP 47K 1/10W 1608
R3778	1-216-841-11	s	RESISTOR, CHIP 47K 1/10W 1608
R3779	1-216-841-11	s	RESISTOR, CHIP 47K 1/10W 1608
R3780	1-216-841-11	s	RESISTOR, CHIP 47K 1/10W 1608
R3781	1-216-841-11	s	RESISTOR, CHIP 47K 1/10W 1608
R3782	1-216-841-11	s	RESISTOR, CHIP 47K 1/10W 1608
R3783	1-216-841-11	s	RESISTOR, CHIP 47K 1/10W 1608
R3784	1-216-839-11	s	RESISTOR,CHIP 33K 1/10W 1608

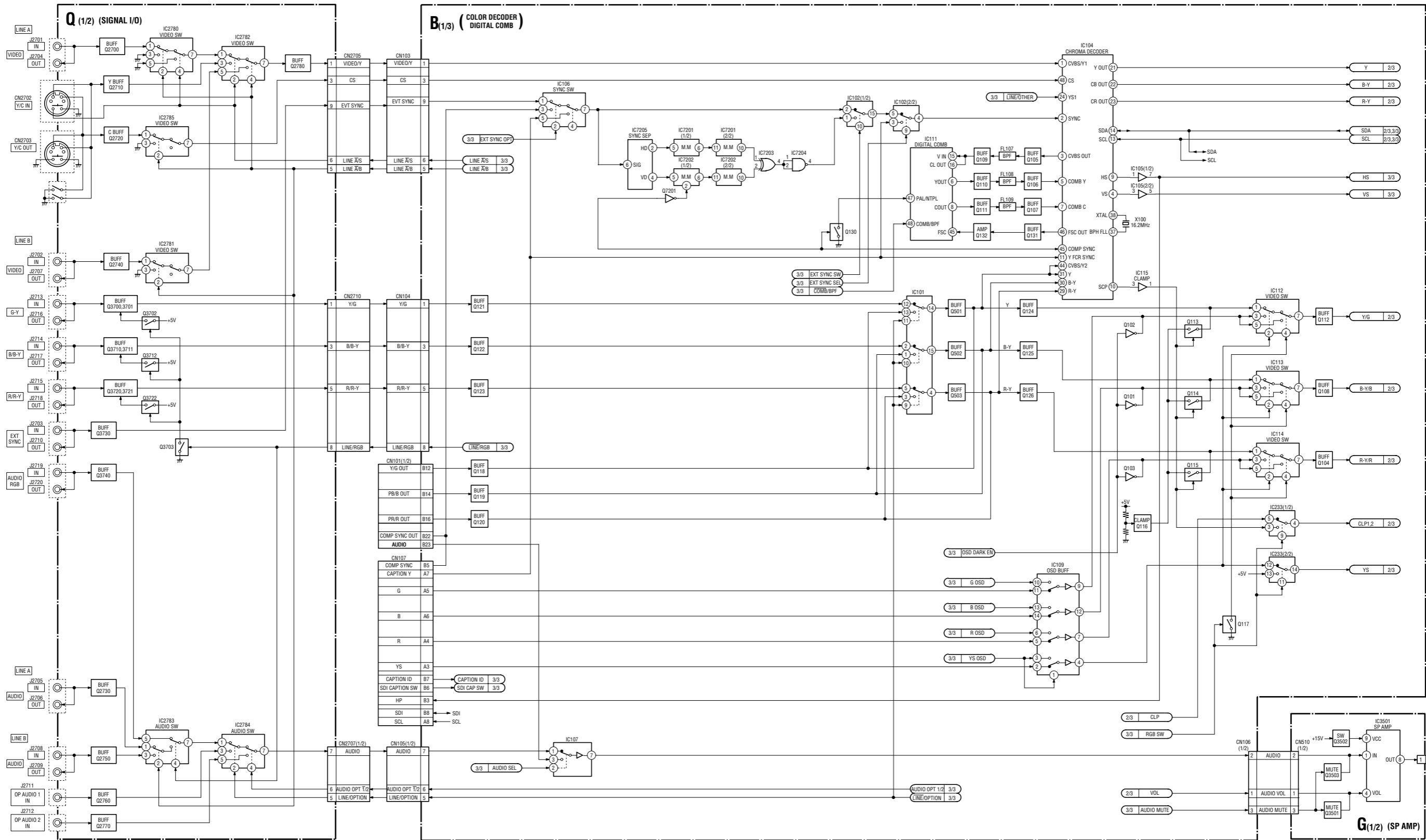
X BOARD			

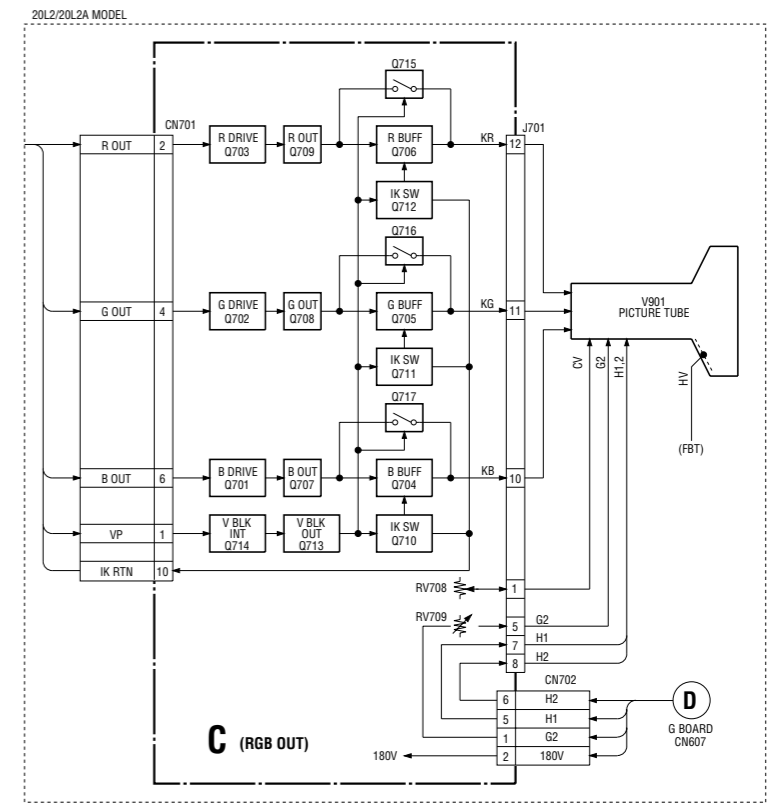
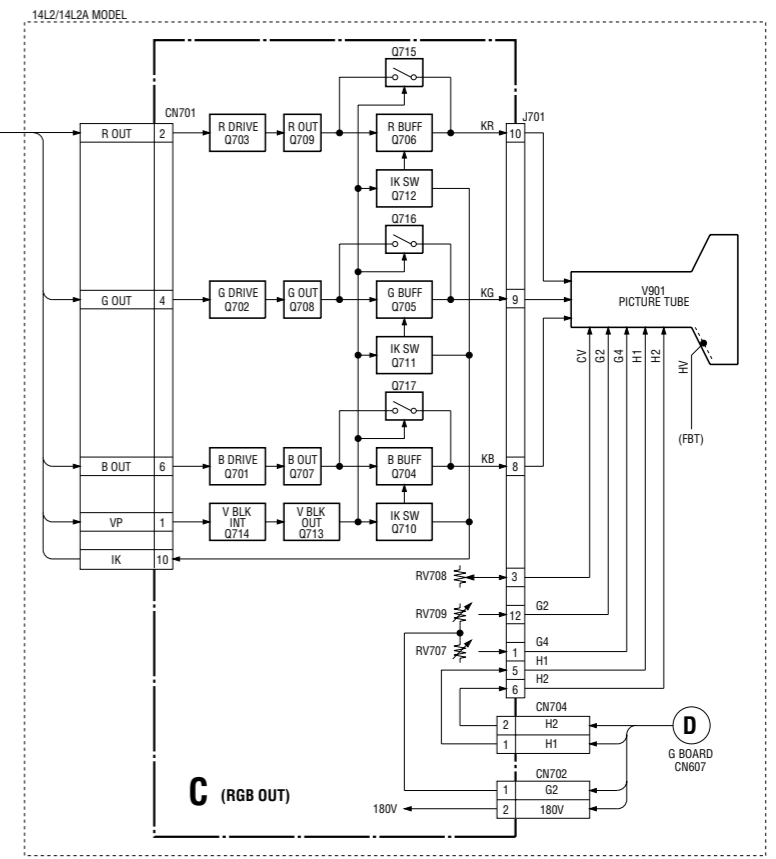
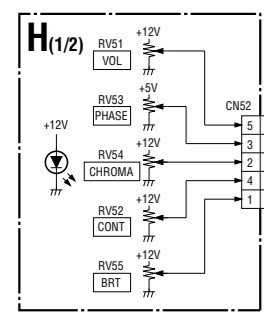
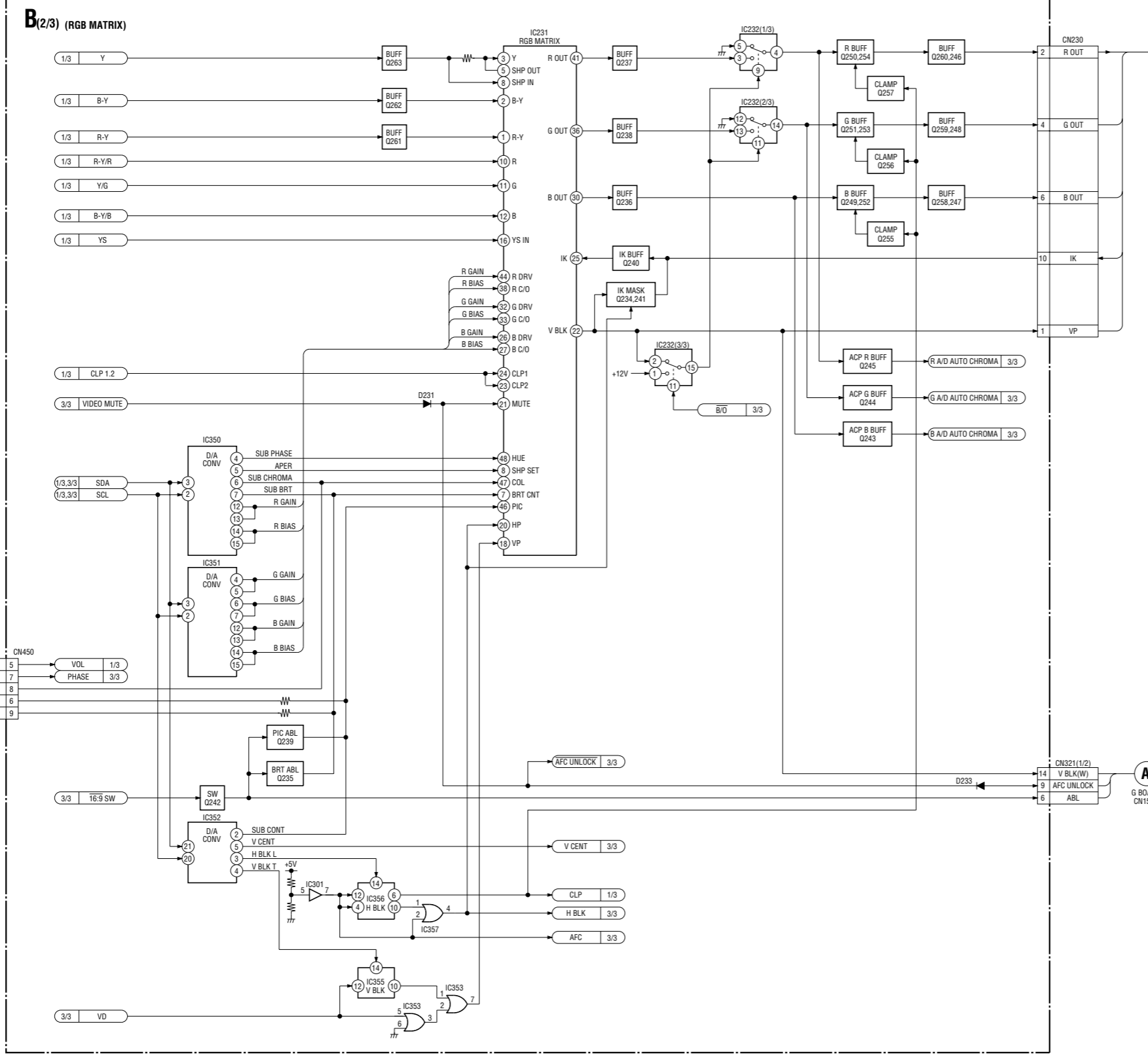
Ref. No. or Q'ty	Part No.	SP	Description
1pc	8-330-030-79	s	MOUNTED CIRCUIT BOARD, X
CN001	1-564-719-11	o	PIN,CONNECTOR (3P)
D001	8-719-023-78	s	LED SEL3810DLC05
D002	8-719-023-78	s	LED SEL3810DLC05
D003	8-719-023-78	s	LED SEL3810DLC05
D004	8-719-023-78	s	LED SEL3810DLC05

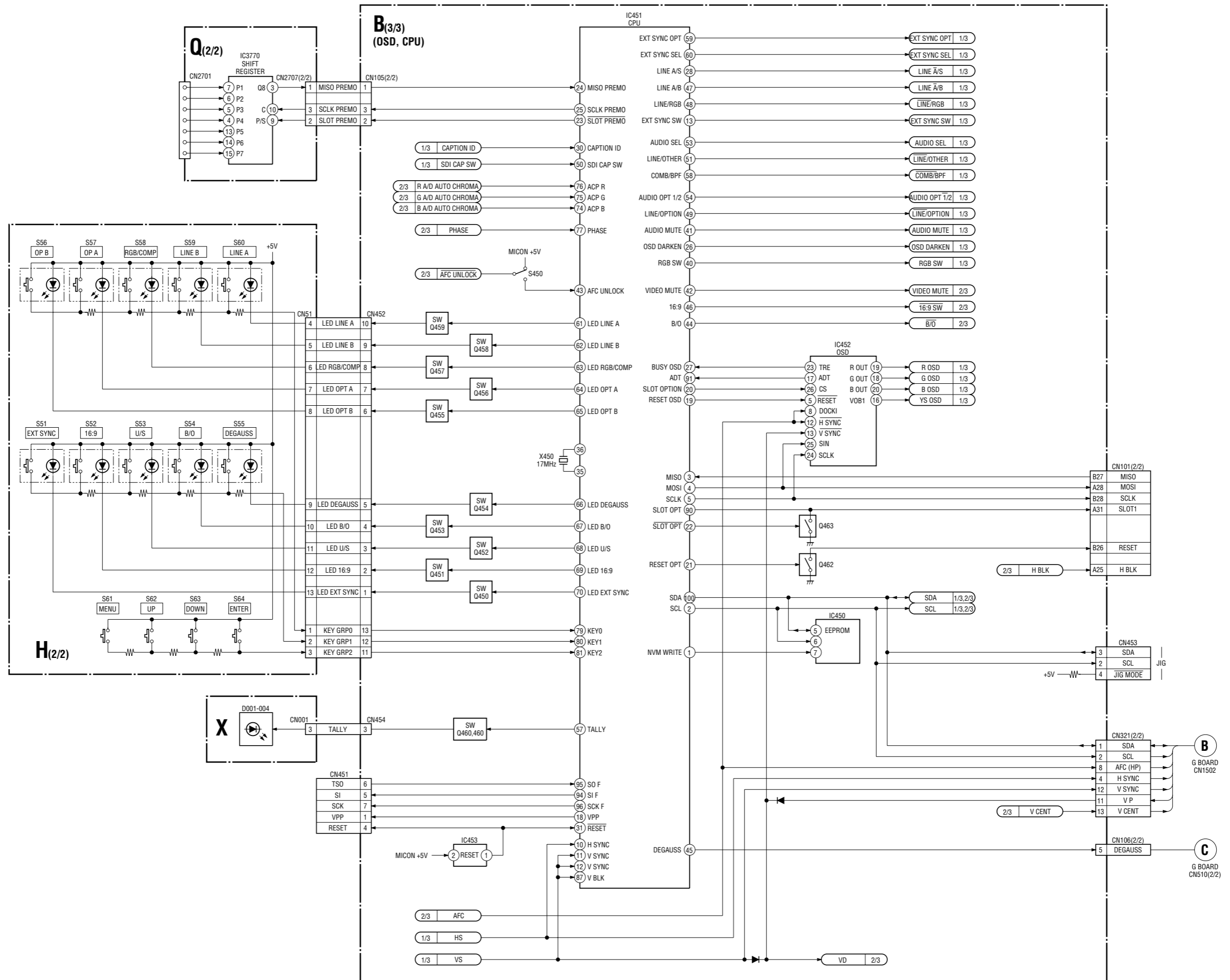
SUPPLIED ACCESSORIES			

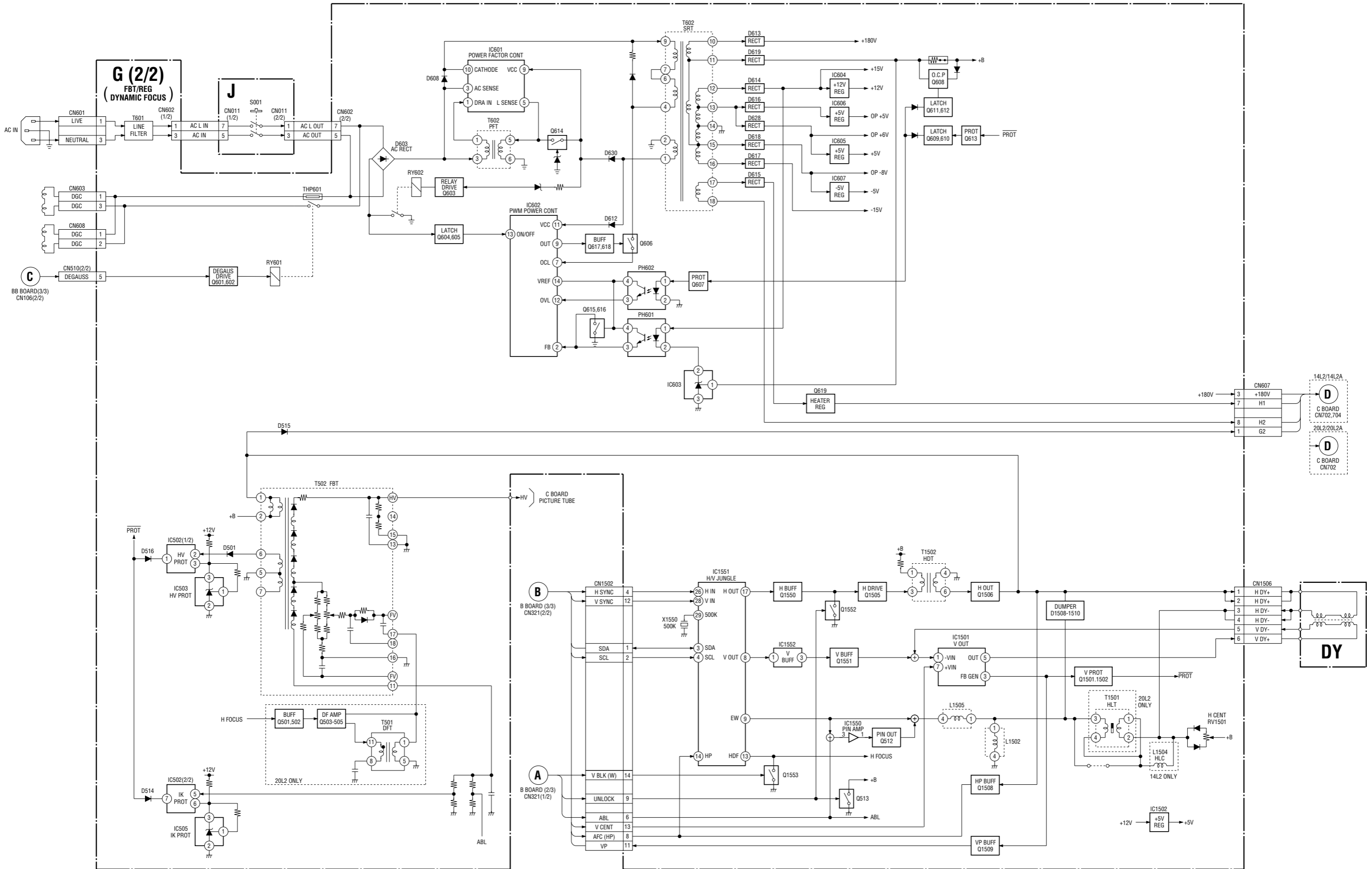
Ref. No. or Q'ty	Part No.	SP	Description
1pc	Δ		See Warning on Power Connection on page 1-16.
1pc	2-990-242-01	s	HOLDER (B),PLUG
1pc	4-093-824-02	s	OPERATING INSTRUCTIONS (JAPANESE,ENGLISH,FRENCH, GERMAN,SPANISH,ITALIAN, SIMPLIFIED CHINESE)

Section 8 Block Diagrams



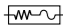











Section 9 Diagrams

Note:


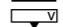
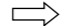
- Parts marked “ * ” differ according to the model/destination. Refer to the mount table for each function.
- The parts marked “ # ” on schematic diagrams are not mounted.
- All capacitors are in μF unless otherwise noted. pF : $\mu\mu\text{F}$ 50WV or less are not indicated except for electrolytics.
- All electrolytics are in 50 V unless otherwise specified.
-  : fusible resistor
-  : nonflammable resistor
- Δ : internal component
-  : panel designation and adjustment for repair
- Caution when replacing chip parts
New parts must be attached after removal of the chip.
Be careful not to heat the minus side of a tantalum capacitor, because it is easily damaged by the heat.

Reference information

RESISTOR	RN	: METAL FILM
	RC	: SOLID
	FPRD	: NONFLAMMABLE CARBON
	FUSE	: NONFLAMMABLE FUSIBLE
	RS	: NONFLAMMABLE METAL OXIDE
	RB	: NONFLAMMABLE CEMENT
	RW	: NONFLAMMABLE WIREWOUND
	※	: ADJUSTMENT RESISTOR
COIL	LF-8L	: MICRO INDUCTOR
CAPACITOR	TA	: TANTALUM
	PS	: STYROL
	PP	: POLYPROPYLENE
	PT	: MYLAR
	MPS	: METALIZED POLYESTER
	MPP	: METALIZED POLYPROPYLENE
	ALB	: BIPOLAR
	ALT	: HIGH TEMPERATURE
	ALR	: HIGH RIPPLE

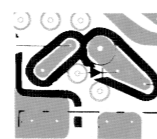
- The components marked  in this schematic diagram have been carefully factory-selected for each set in order to satisfy regulations regarding X-ray radiation.
- When replacing components marked , make the necessary adjustments indicated. If results do not meet the specified value, change the component marked  and repeat the adjustment until the specified value is achieved.
- When replacing a part shown in the table below, be sure to perform the related adjustment.

[Measuring conditions, voltage and waveform]

- A voltage value is the reference value between the measurement point and the earth, when the NTSC color bar signal (100%) is received from the color bar generator. (digital multi-meter used: 10 M ohms/V DC)
- Unit of voltage is V (volt).
(Voltage variations may occur due to normal production tolerances.)
-  : B+line
-  : B- line
- No mark : NTSC (3.58 MHz) color bar signal.
- \star : Measurement disabled.
- Circled numbers indicate the reference waveform.
-  : Signal path.

The components identified marked Δ are critical for safety.
Replace only with the part number specified.

Les composants identifiés par la marque Δ sont critiques pour la sécurité.
Ne les remplacer que par une pièce portant le numéro spécifié.



NOTE:
The circuit indicated as shown on the left contains high voltages of over 600 Vp-p. Take care to avoid electric shock during inspection or repair work.

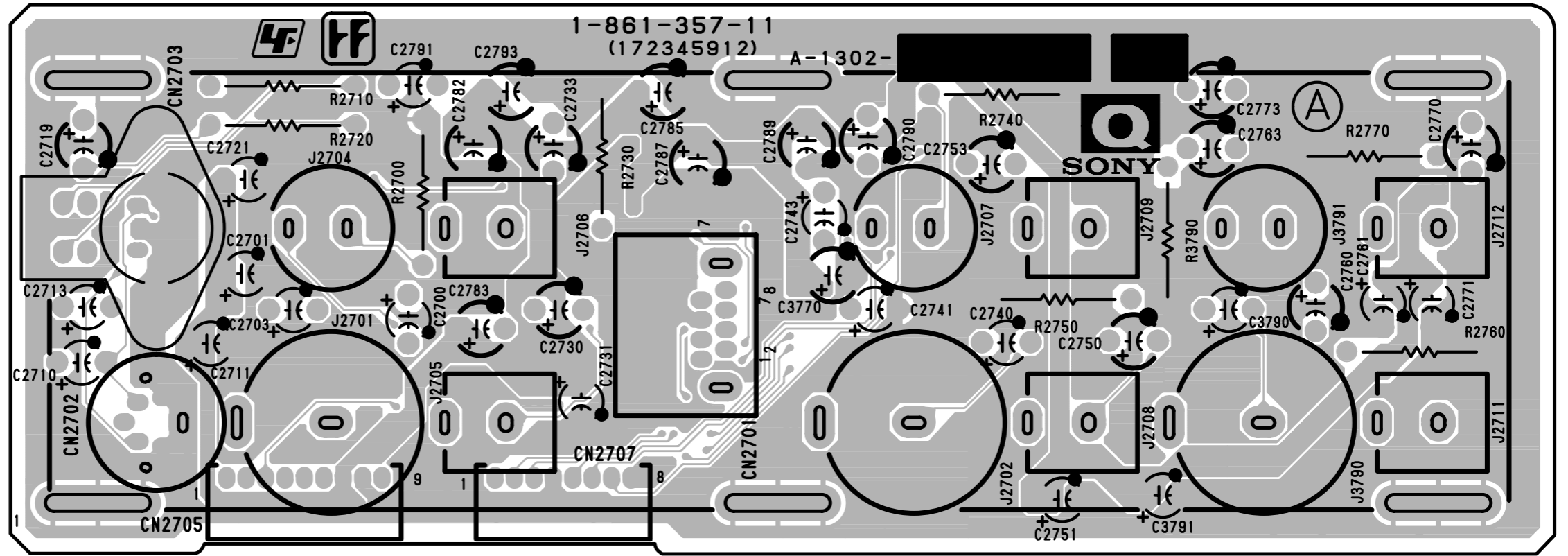
9-1. Schematic Diagrams and Board Layouts

Q BOARD

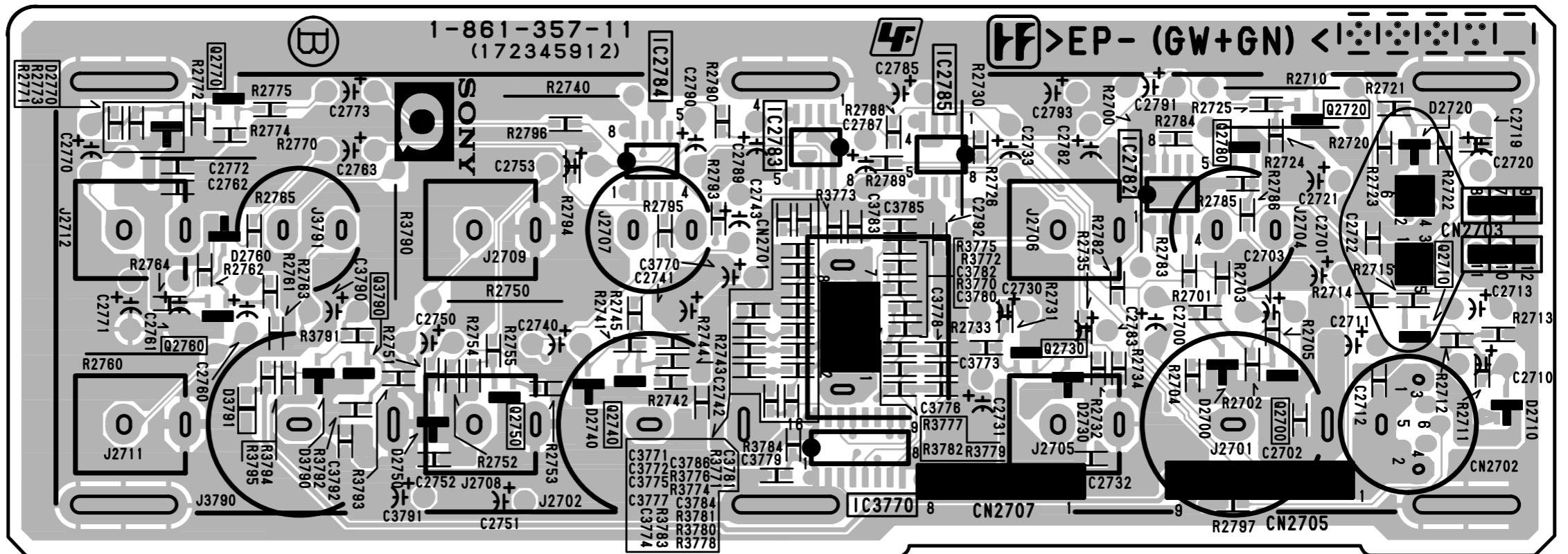
*:B SIDE

- D2700 * G-2
- D2710 * G-1
- D2720 * G-1
- D2730 * G-3
- D2740 * F-2
- D2750 * F-3
- D2760 * B-1
- D2770 * A-1
- D3700 * D-2
- D3701 * D-2
- D3702 * D-2
- D3710 * D-2
- D3711 * D-2
- D3712 * D-2
- D3720 * D-3
- D3721 * D-3
- D3722 * D-3
- D3730 * C-2
- D3731 * C-2
- D3740 * C-3
- IC2780 * F-2
- IC2781 * G-2
- IC2782 * F-2
- IC2783 * E-3
- IC2784 * B-2
- IC2785 * F-2
- IC3770 * C-2

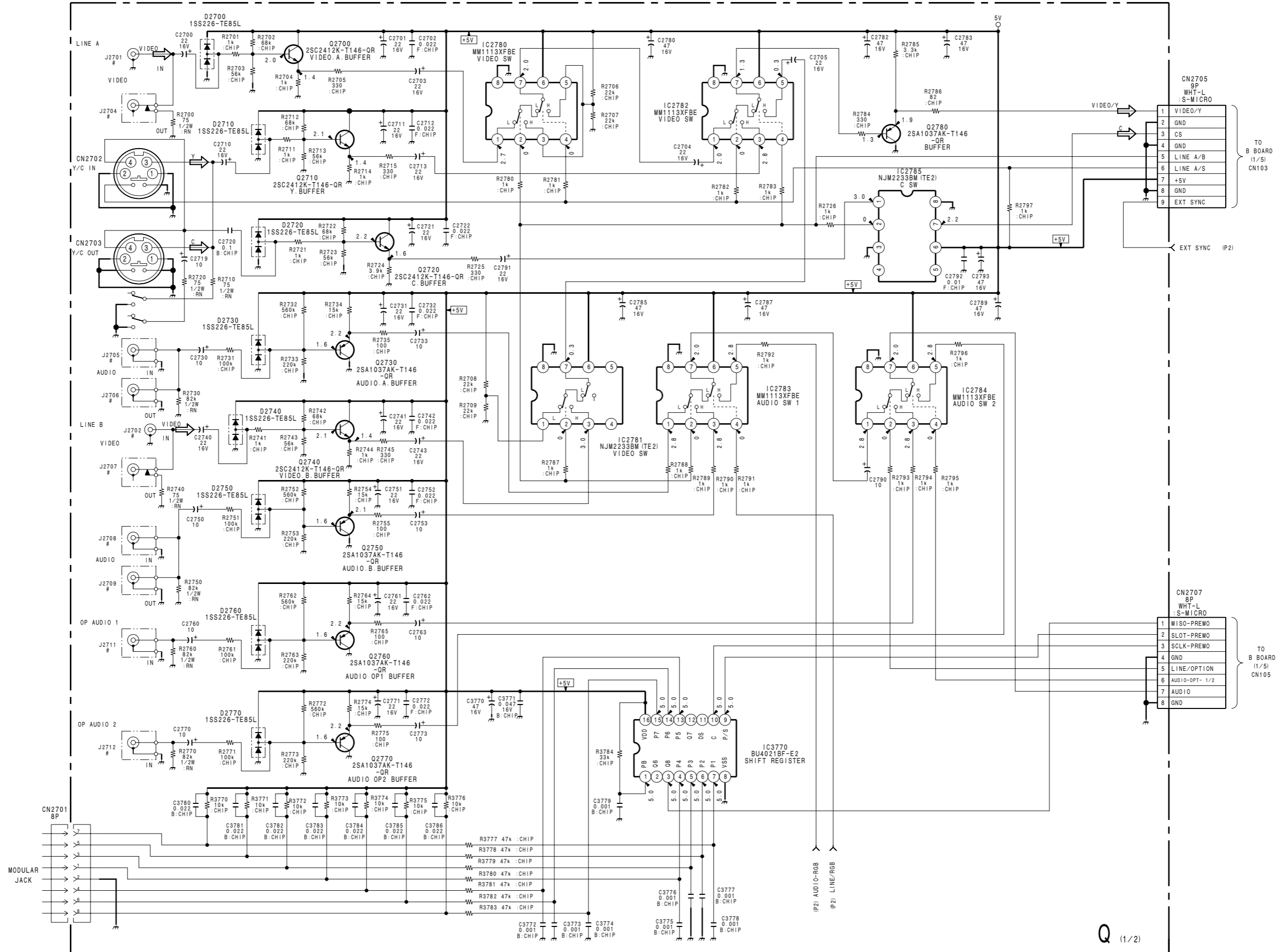
- Q2700 * G-2
- Q2710 * G-2
- Q2720 * G-2
- Q2730 * G-3
- Q2740 * F-2
- Q2750 * F-3
- Q2760 * B-1
- Q2770 * A-2
- Q2780 * E-2
- Q3700 * D-2
- Q3701 * D-2
- Q3702 * D-2
- Q3703 * E-3
- Q3710 * D-2
- Q3711 * D-2
- Q3712 * D-2
- Q3720 * D-3
- Q3721 * D-3
- Q3722 * D-3
- Q3730 * C-2
- Q3740 * C-3



Q -A SIDE-
SUFFIX: -11

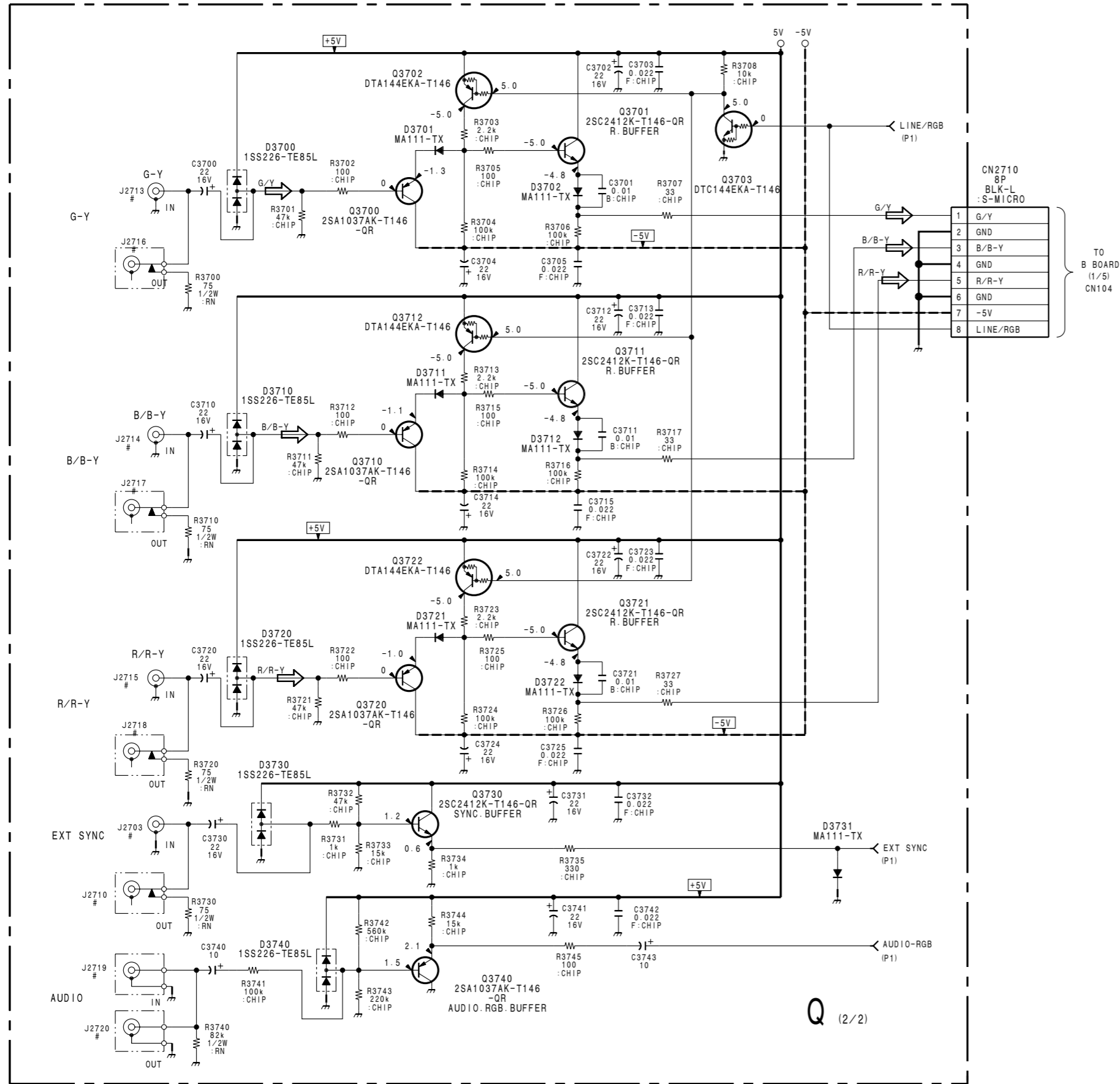


Q -B SIDE-
SUFFIX: -11

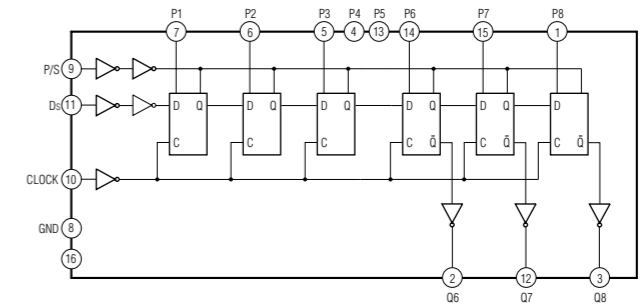


Q (1/2)

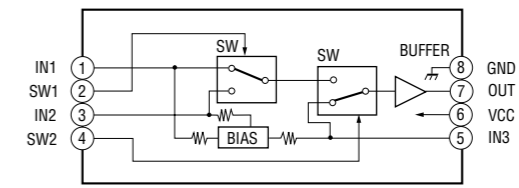
(B-SS9715-WW-UC-Q-P1)



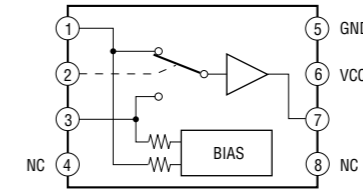
Q (1/2) BU4021BF-E2 (IC3770)



Q (1/2) MM1113XFB (IC2780, IC2782, IC2783, IC2784)



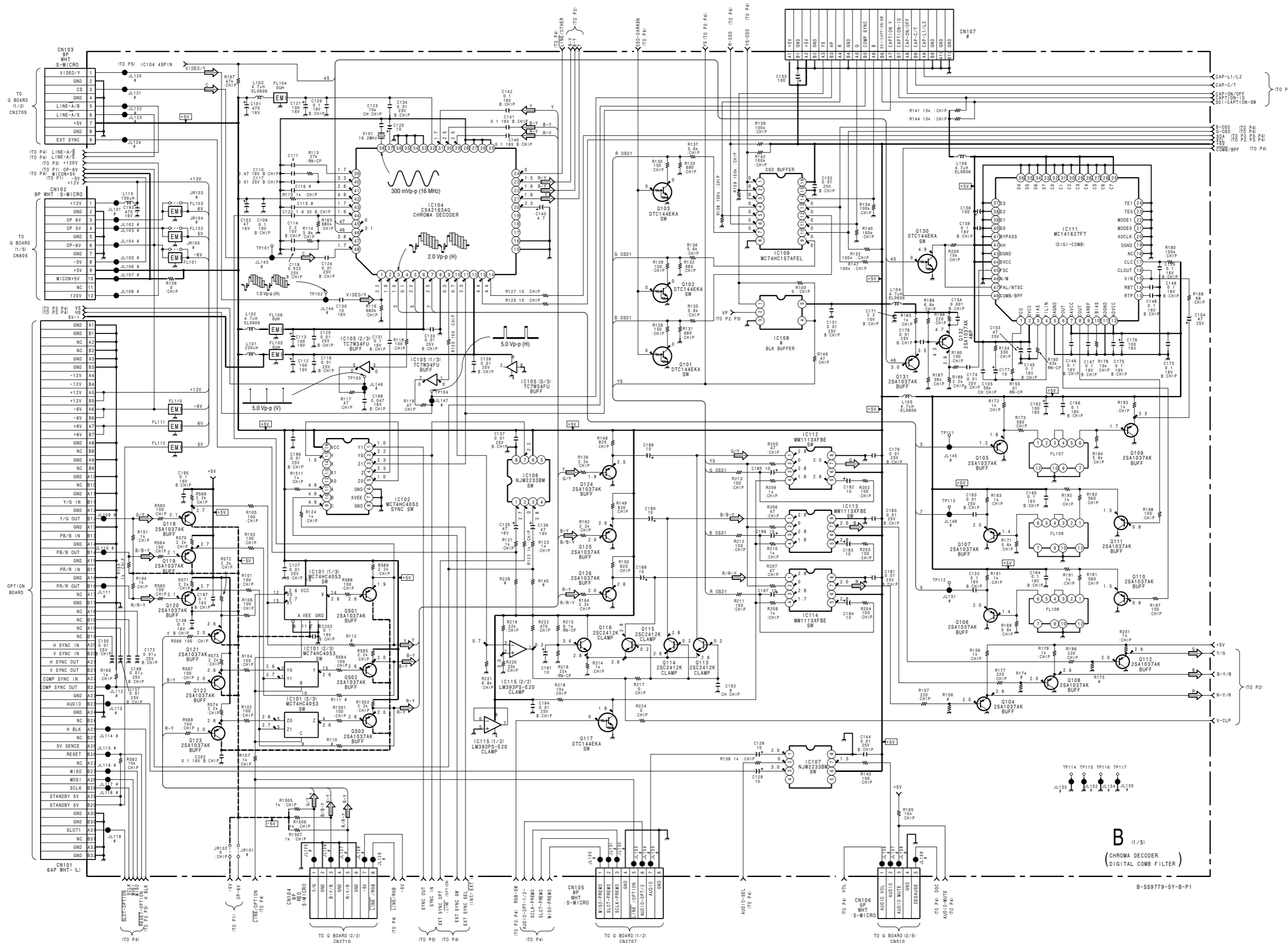
Q (1/2) NJM2233BM (TE2) (IC2781, IC2785)



(B-SS9715-WW-UC-Q-P2)

9-4 9-4

A B C D E F G H



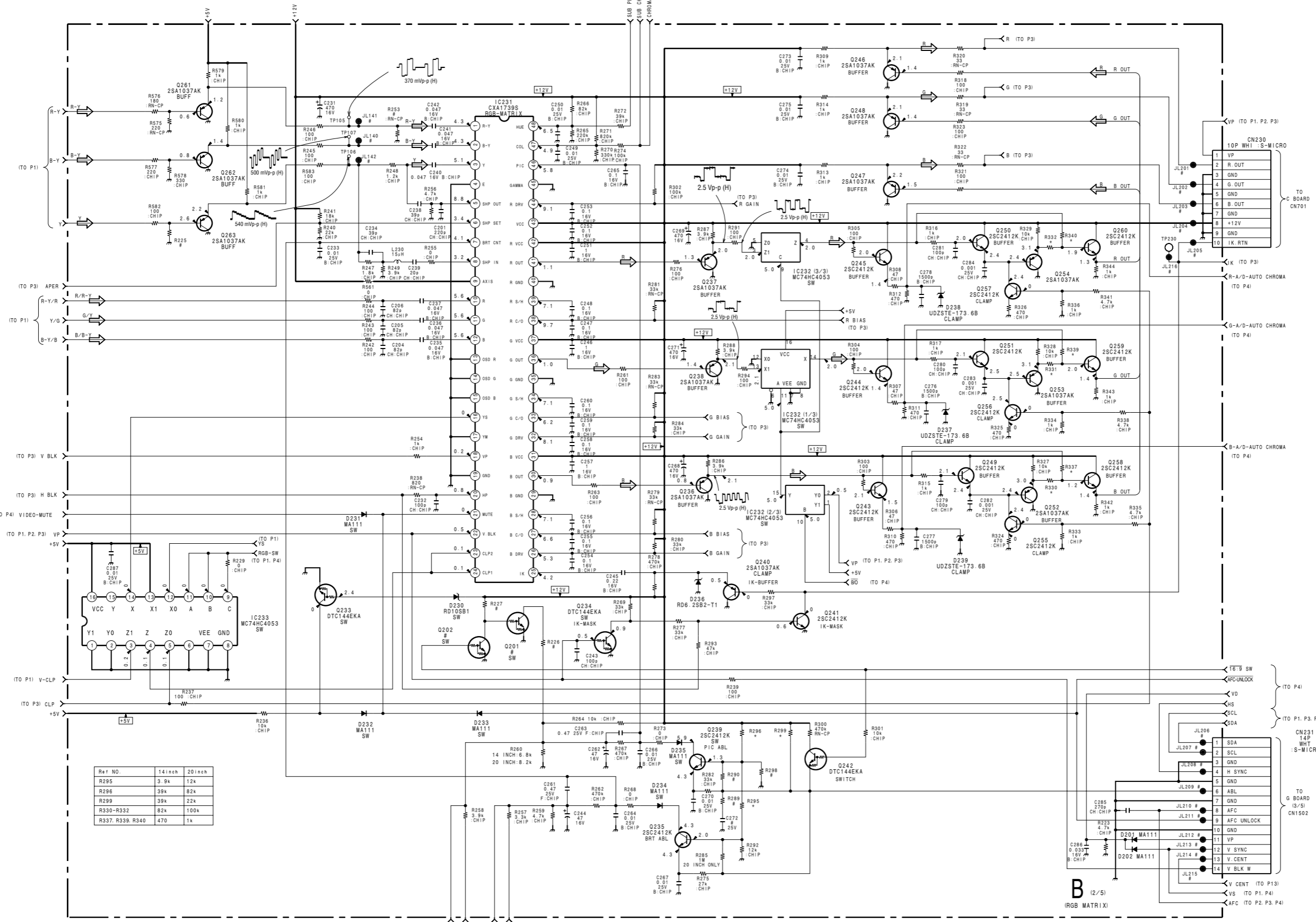
1

2

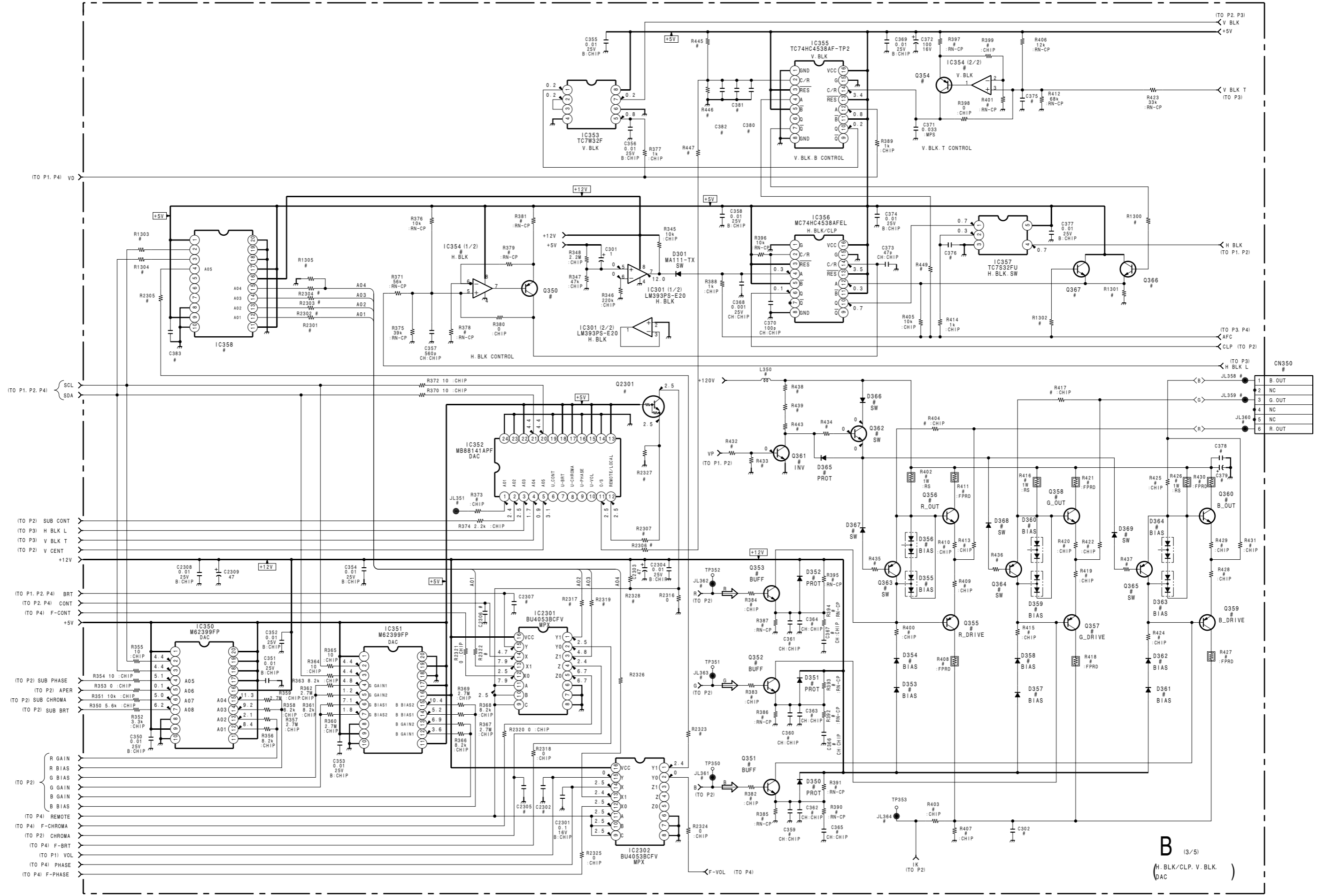
3

4

5



B (2/5)
(RGB MATRIX)



B (3/5)
(H. BLK/CLP, V. BLK, DAC)

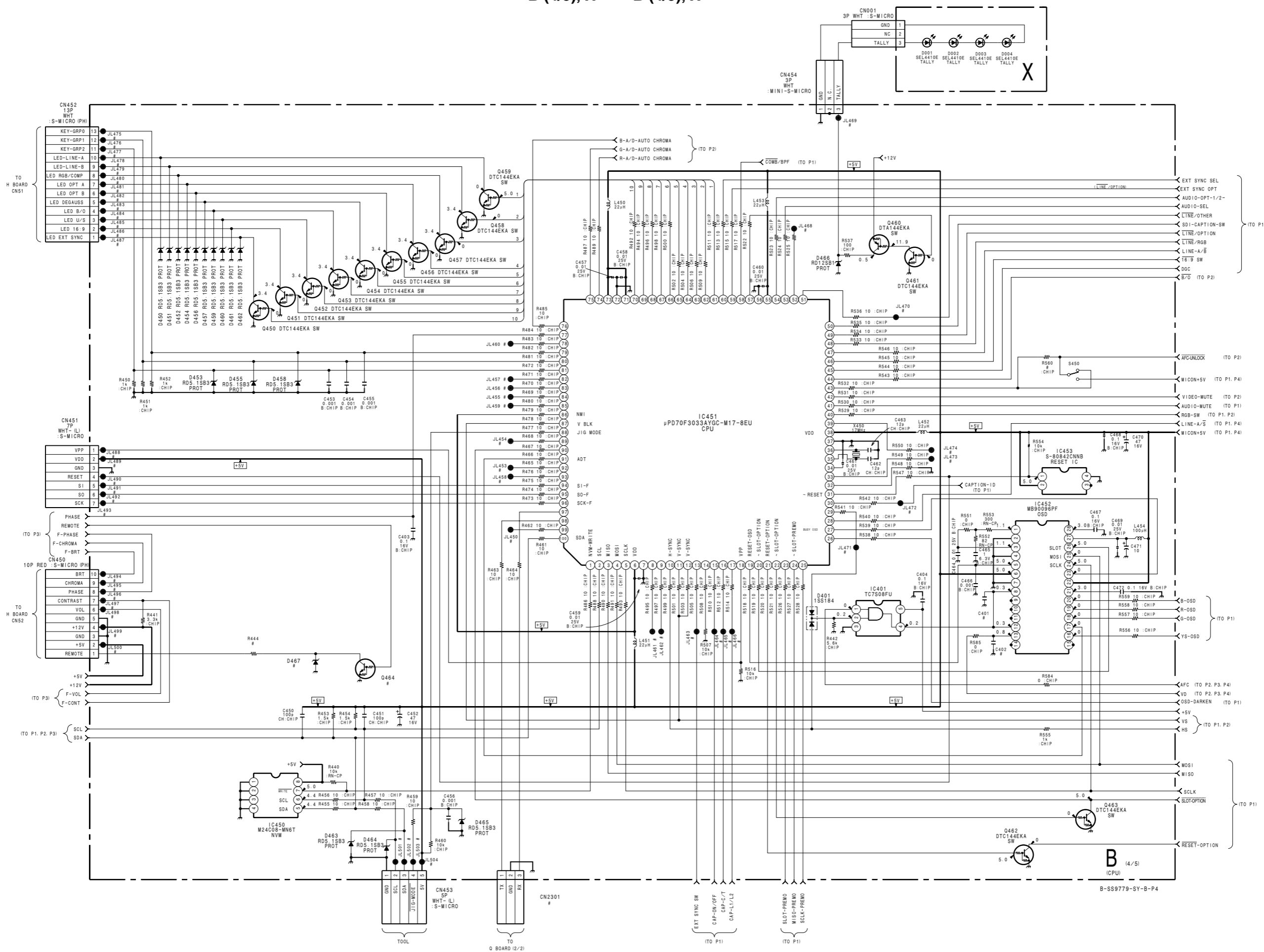
1

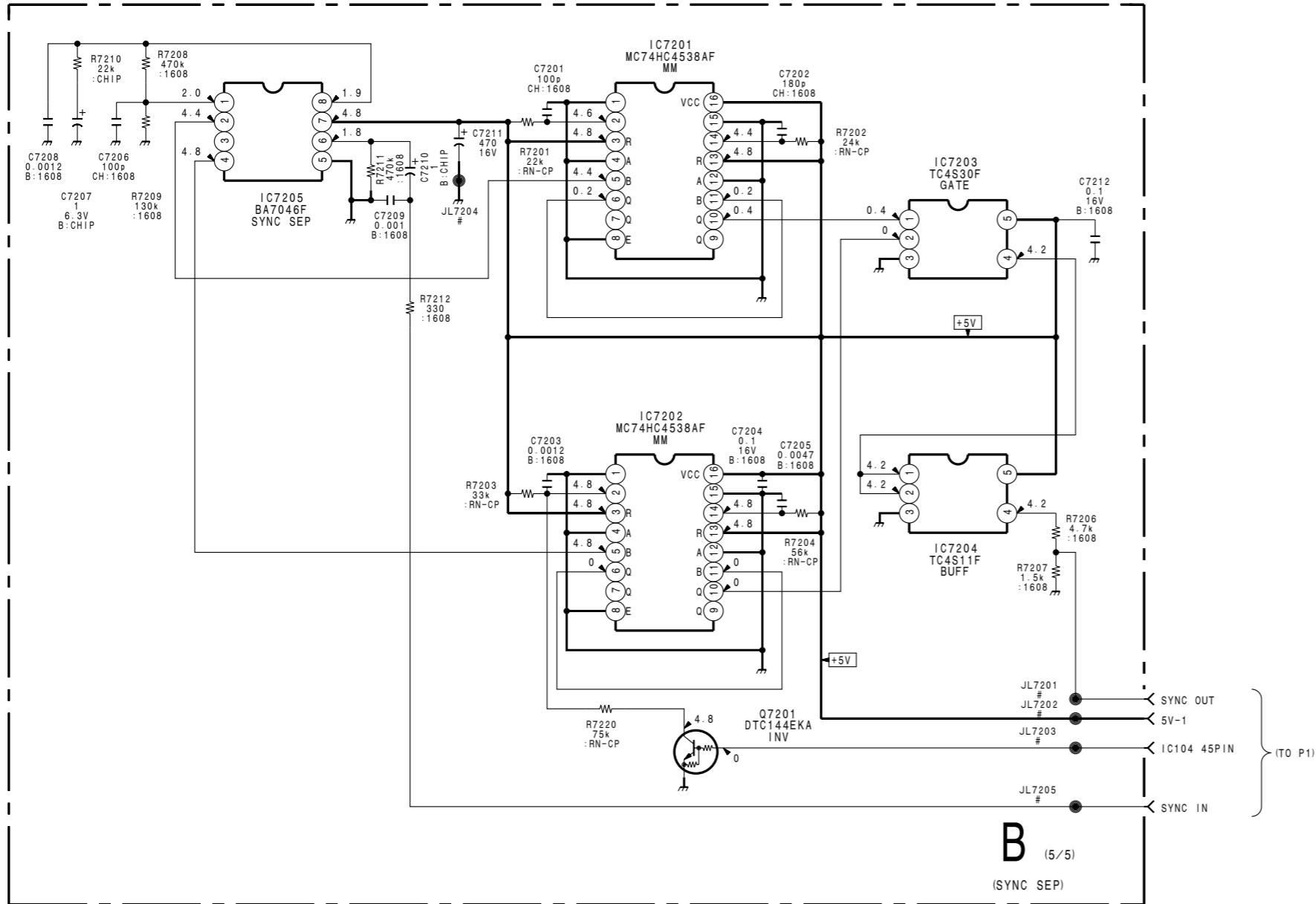
2

3

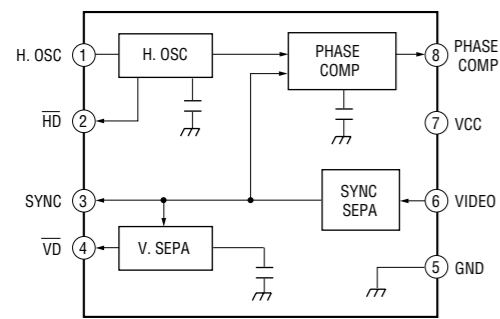
4

5

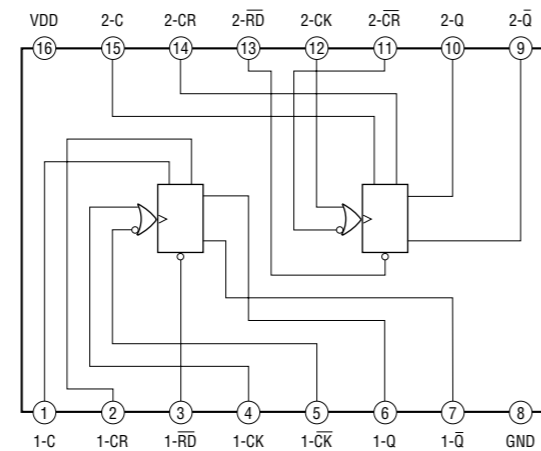




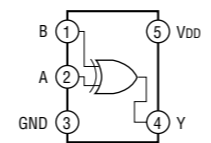
B (5/5) BA7046F (IC7205)



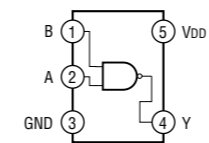
B (5/5) MC74HC4538AF (IC7201, IC7202)



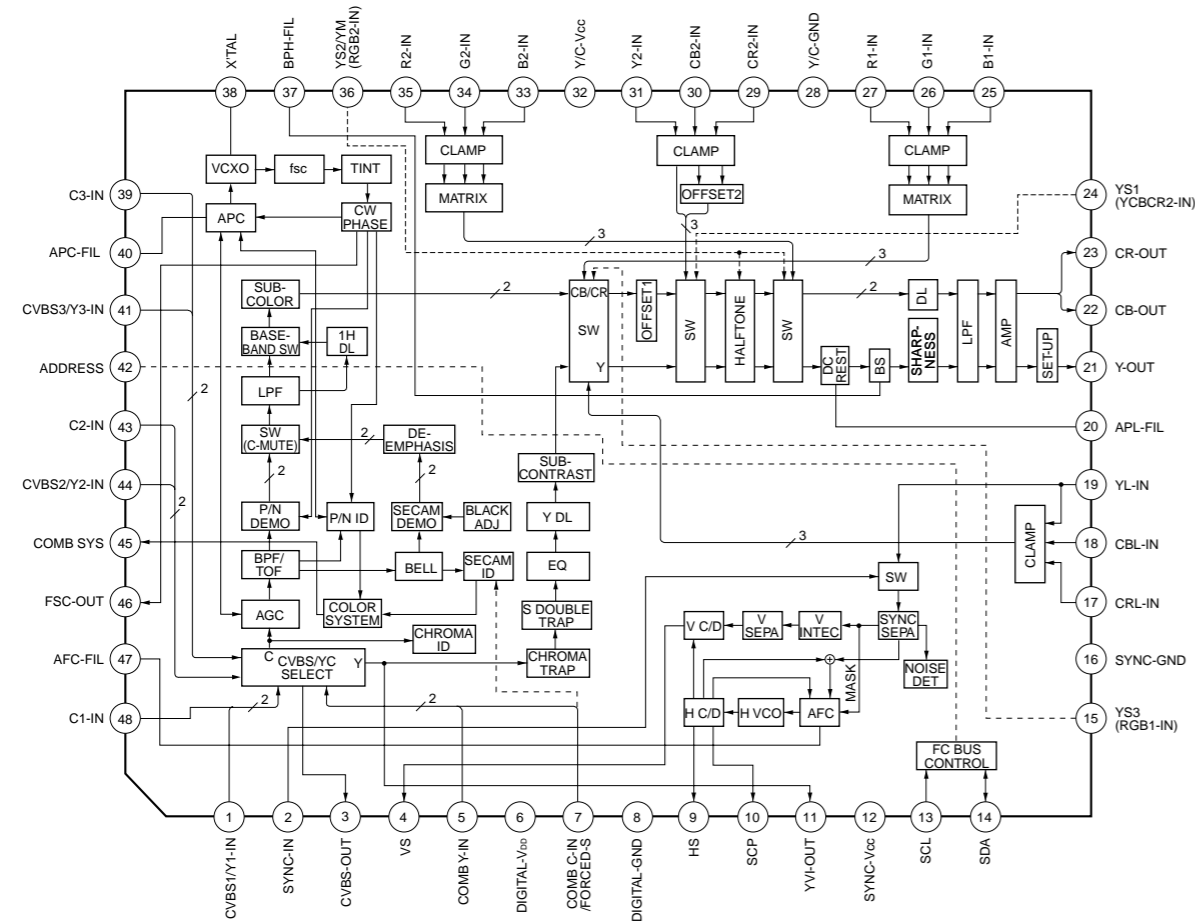
B (5/5) TC4S30F (IC7203)



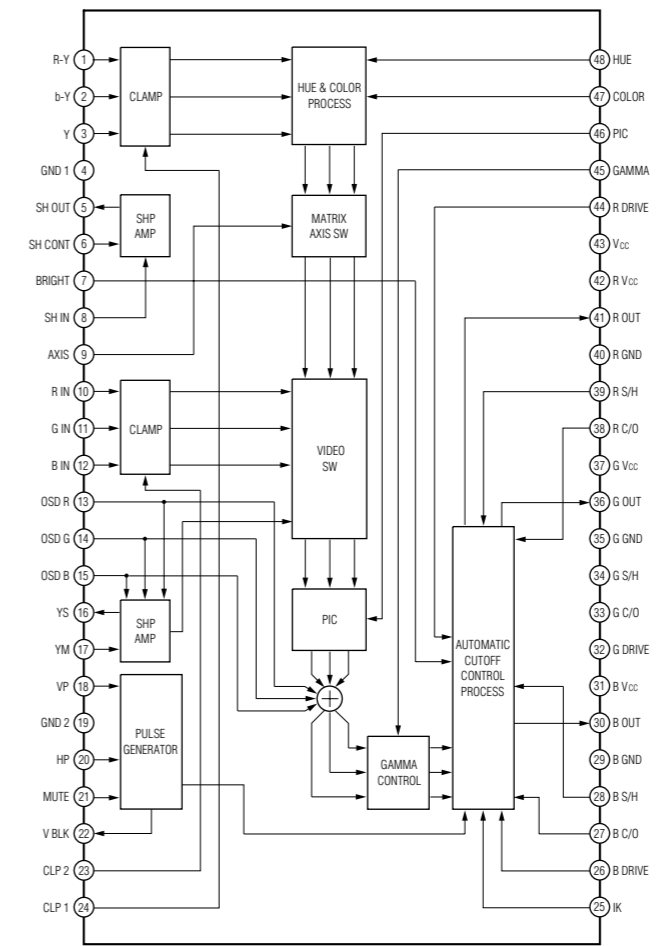
B (5/5) TC4S11F (IC7204)



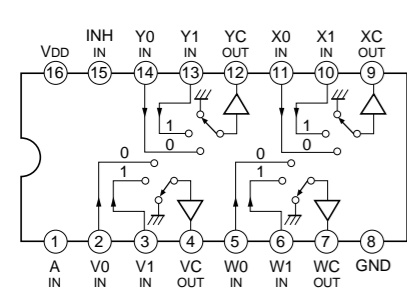
B (1/5) CXA2163AQ (IC104)



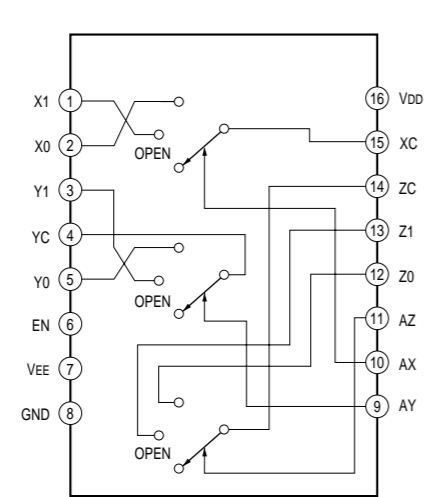
B (2/5) CXA1739S (IC231)



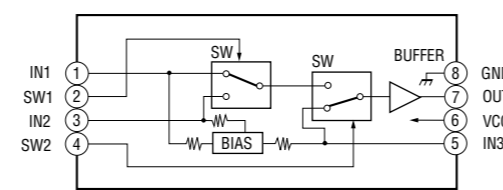
B (1/5) MC74HC157AFEL (IC109)



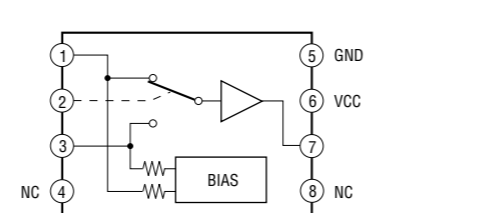
B (1/5) MC74HC4053AFEL (IC101, IC102, IC232, IC233)



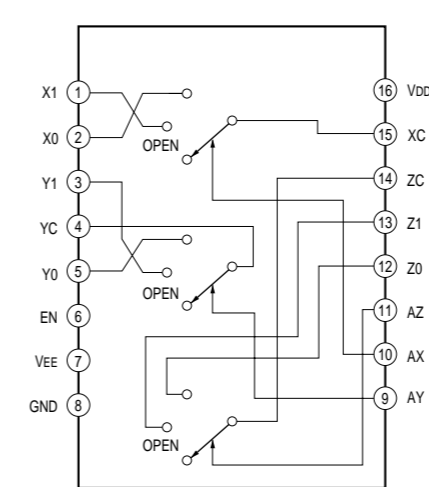
B (1/5) MM1113XFBE (IC112, IC113, IC114)



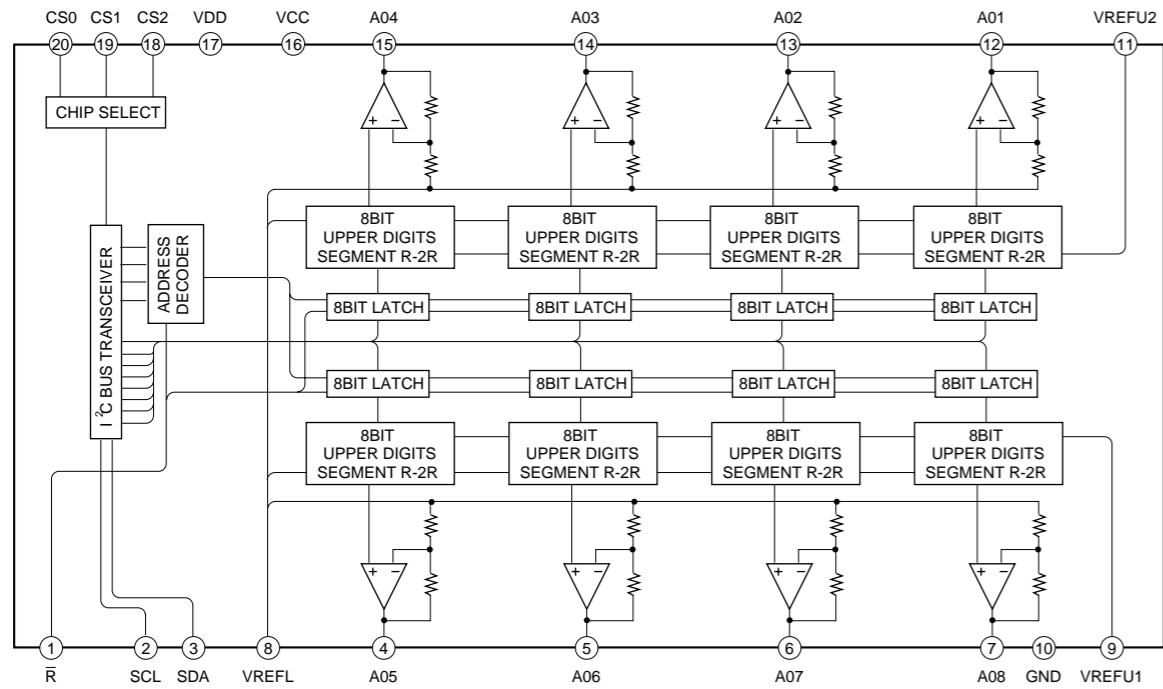
B (1/5) NJM2233BM (IC106, IC107)



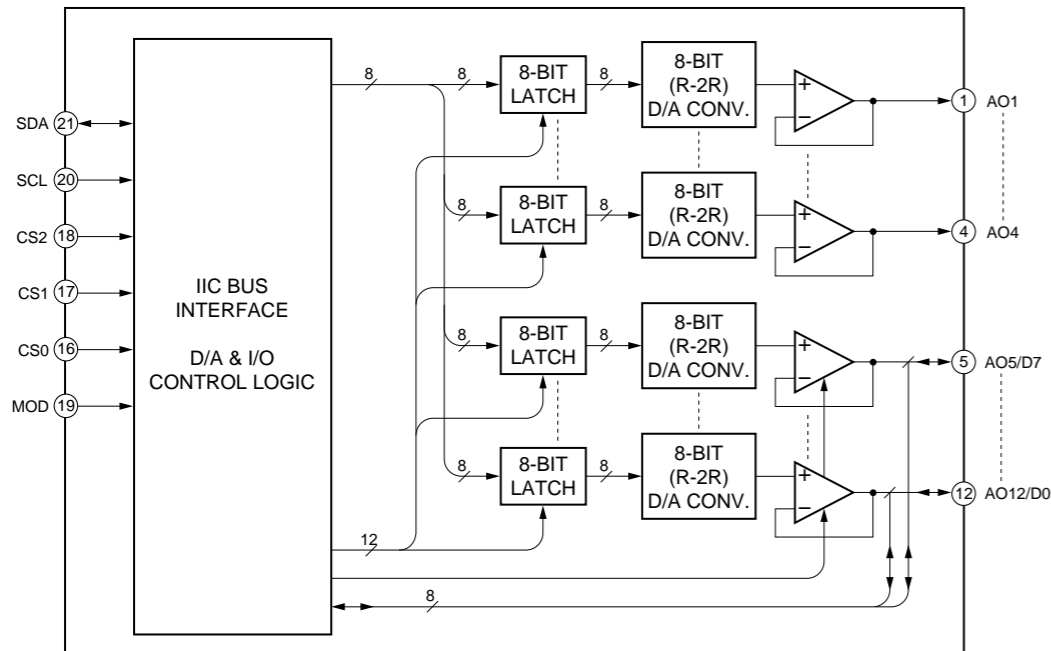
B (2/5) MC74HC4053AFEL (IC101, IC102, IC232, IC233)



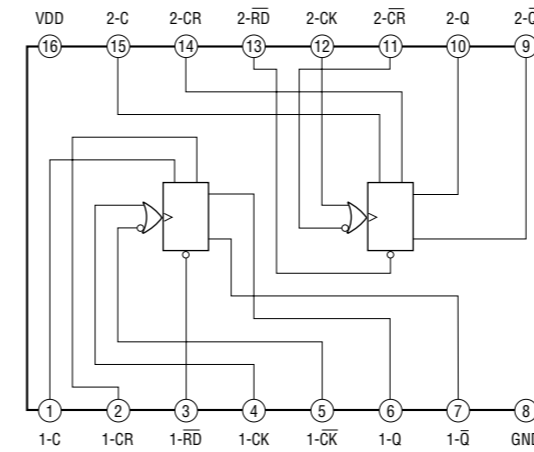
B (3/5) M62399FP-TE2 (IC350, IC351)



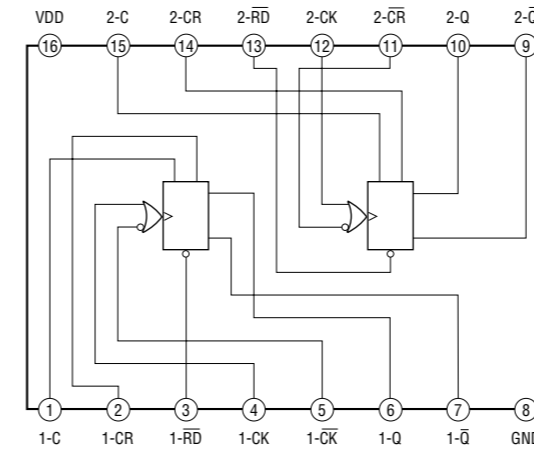
B (3/5) MB88141APF-ER (IC352)



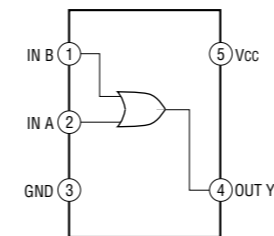
B (3/5) MC74HC4538AFEL (IC356)



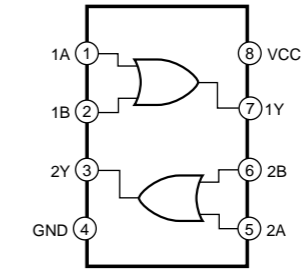
B (3/5) TC74HC4538AF-TP2 (IC355)



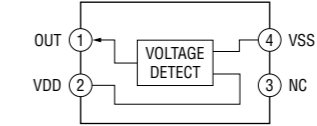
B (3/5) TC7S32FU(TE85R) (IC357)



B (3/5) TC7W32F(TE12R) (IC353)



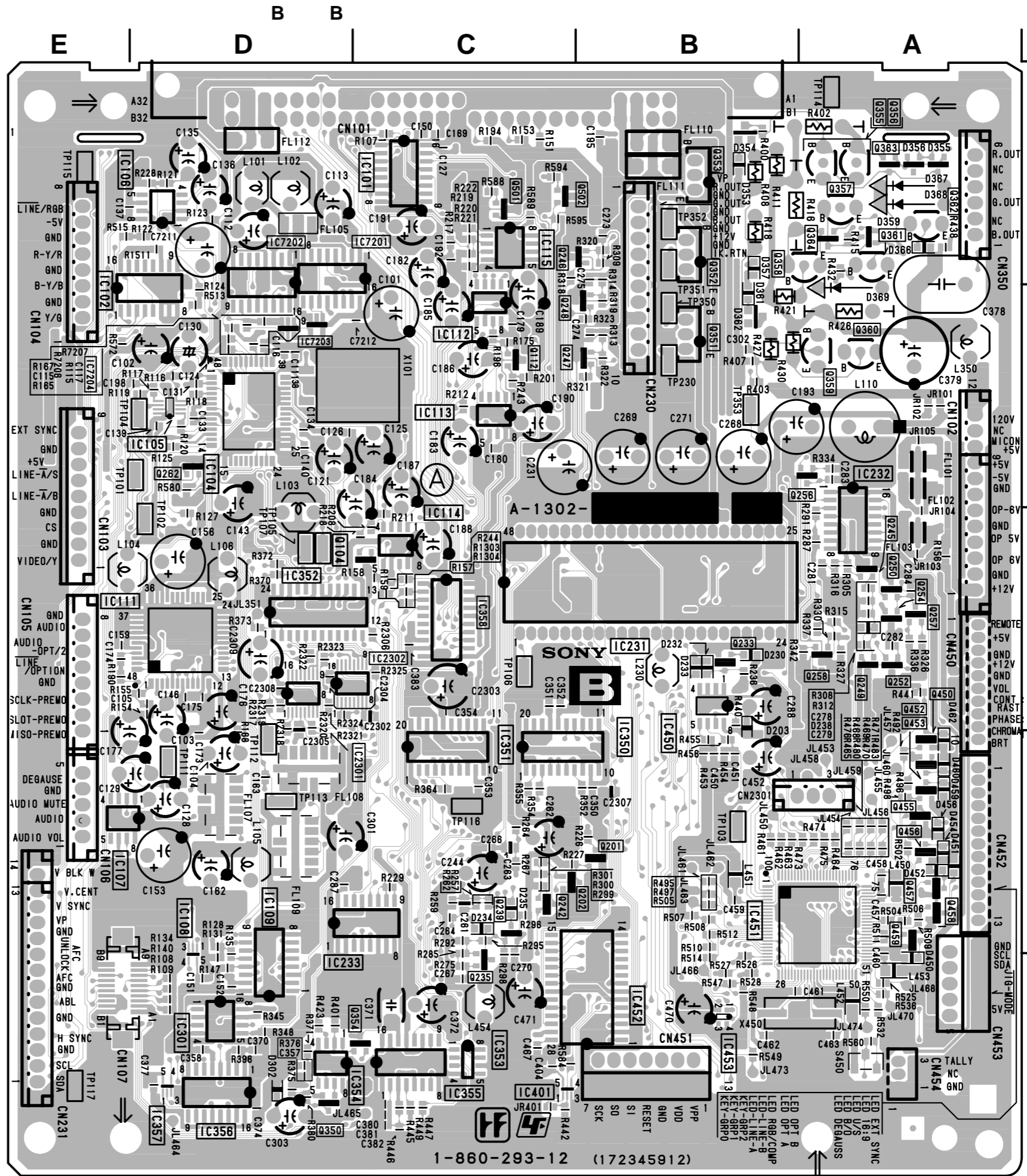
B (4/5) S-80842ANNP-ED6 (IC453)



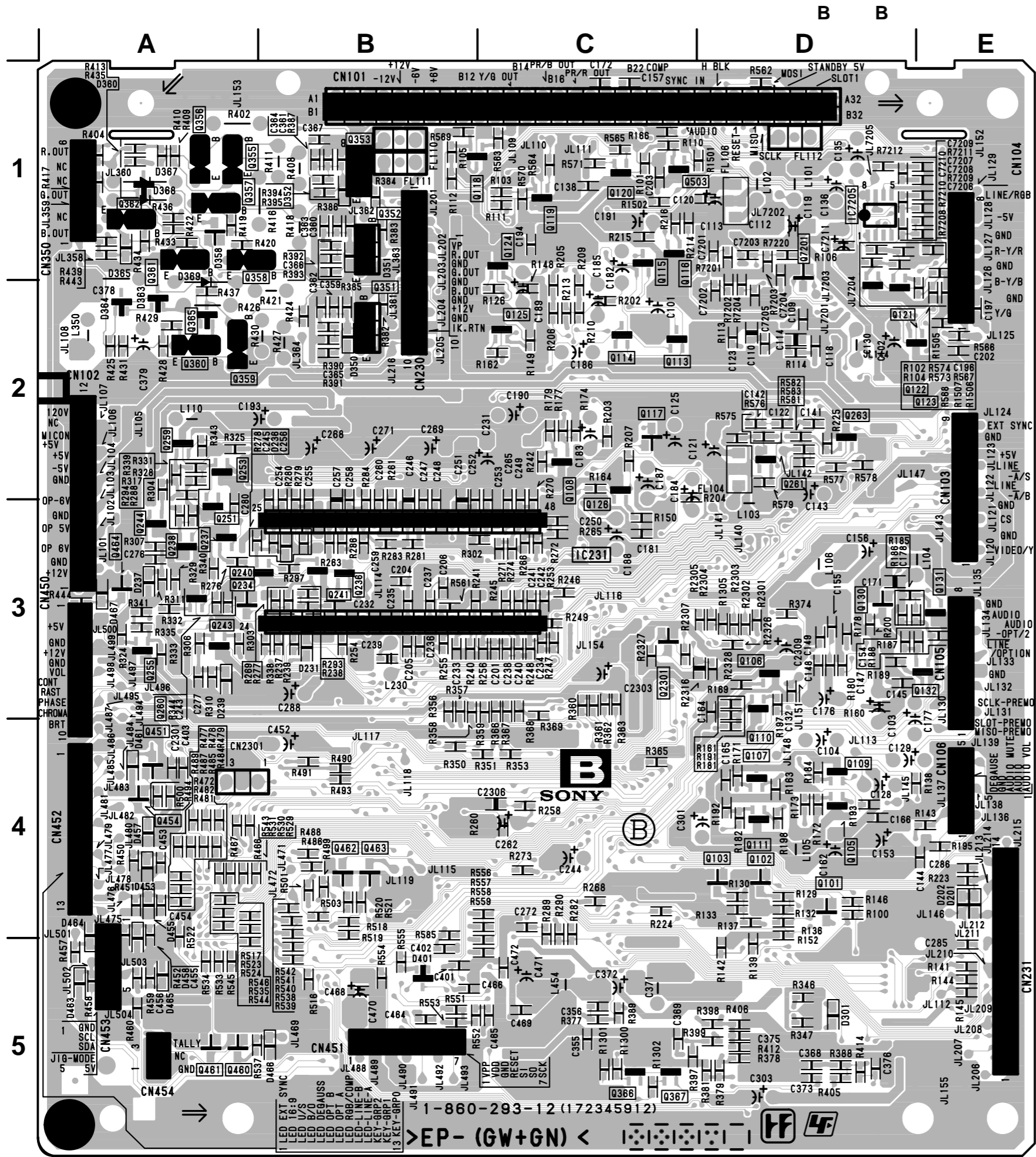
B BOARD

*: B SIDE

D201	* E-4	Q101	* D-4	TP101	D-2
D202	* E-4	Q102	* D-4	TP102	D-3
D230	B-3	Q103	* D-4	TP103	B-4
D231	* B-3	Q104	C-3	TP104	D-2
D232	B-3	Q105	* D-4	TP105	D-3
D233	B-3	Q106	* D-3	TP106	D-3
D234	C-4	Q107	* D-4	TP107	D-3
D235	C-4	Q108	* C-2	TP111	D-4
D236	* B-3	Q109	* D-4	TP112	D-3
D237	* A-3	Q110	* D-3	TP113	D-4
D238	A-3	Q111	* D-4	TP114	A-1
D239	* A-3	Q112	C-2	TP115	E-1
D301	* D-5	Q113	* C-2	TP116	C-3
D350	* B-2	Q114	* C-2	TP117	E-5
D351	* B-1	Q115	* C-1	TP230	B-2
D352	* B-1	Q116	* C-1	TP350	B-2
D353	B-1	Q117	* C-2	TP351	B-1
D354	B-1	Q118	* C-1	TP352	B-1
D355	A-1	Q119	* C-1	TP353	B-2
D356	A-1	Q120	* C-1		
D357	B-1	Q121	* D-2		
D358	* A-1	Q122	* D-2		
D359	A-1	Q123	* D-2		
D360	* A-1	Q124	* C-1		
D361	B-2	Q125	* C-2		
D362	B-2	Q126	* C-2		
D363	* A-2	Q130	* D-3		
D364	* A-2	Q131	* E-3		
D365	* A-1	Q132	* E-3		
D366	A-1	Q201	B-4		
D367	A-1	Q202	B-4		
D368	A-1	Q233	B-3		
D369	A-2	Q234	* A-3		
D401	* B-5	Q235	C-5		
D450	A-5	Q236	* B-3		
D451	A-4	Q237	* A-3		
D452	A-4	Q238	* A-3		
D453	* A-4	Q239	C-4		
D454	A-4	Q240	* B-3		
D455	* A-4	Q241	* B-3		
D456	* A-4	Q242	C-4		
D457	* A-4	Q243	* A-3		
D458	* A-5	Q244	* A-3		
D459	A-4	Q245	A-3		
D460	A-4	Q246	C-1		
D461	* A-4	Q247	C-2		
D462	A-4	Q248	C-2		
D463	* A-5	Q249	A-3		
D464	* A-5	Q250	A-3		
D465	* A-5	Q251	* A-3		
D466	* B-5	Q252	A-3		
		Q253	* A-2		
IC101	C-1	Q254	A-3		
IC102	D-2	Q255	* A-3		
IC104	D-2	Q256	A-2		
IC105	D-2	Q257	A-3		
IC106	D-1	Q258	A-3		
IC107	E-4	Q259	* A-2		
IC108	D-5	Q260	* A-3		
IC109	D-5	Q261	* D-2		
IC111	D-3	Q262	D-2		
IC112	C-2	Q263	* D-2		
IC113	C-2	Q350	D-5		
IC114	C-3	Q351	B-2		
IC115	C-1	Q352	B-1		
IC231	B-3	Q353	B-1		
IC232	A-3	Q354	D-5		
IC233	C-4	Q355	A-1		
IC301	D-5	Q356	A-1		
IC350	C-4	Q357	A-1		
IC351	C-4	Q358	A-1		
IC352	D-3	Q359	A-2		
IC353	C-5	Q360	A-2		
IC354	D-5	Q361	A-1		
IC355	C-5	Q362	A-1		
IC356	D-5	Q363	A-1		
IC357	D-5	Q364	A-1		
IC401	C-5	Q365	* A-2		
IC450	B-3	Q450	A-4		
IC451	B-4	Q451	* A-4		
IC452	B-5	Q452	A-4		
IC453	B-5	Q453	A-4		
IC7201	D-1	Q454	* A-4		
IC7202	D-1	Q455	A-4		
IC7203	D-2	Q456	A-4		
IC7204	D-2	Q457	A-4		
IC7205	* D-1	Q458	A-4		
		Q459	A-4		
		Q460	* A-5		
		Q461	* A-5		
		Q462	* B-4		
		Q463	* B-4		
		Q501	C-1		
		Q502	C-1		
		Q503	* C-1		
		Q7201	* D-1		



B -A SIDE-
SUFFIX: -12



1-860-293-12 (172345912)

>EP - (GW+GN) <

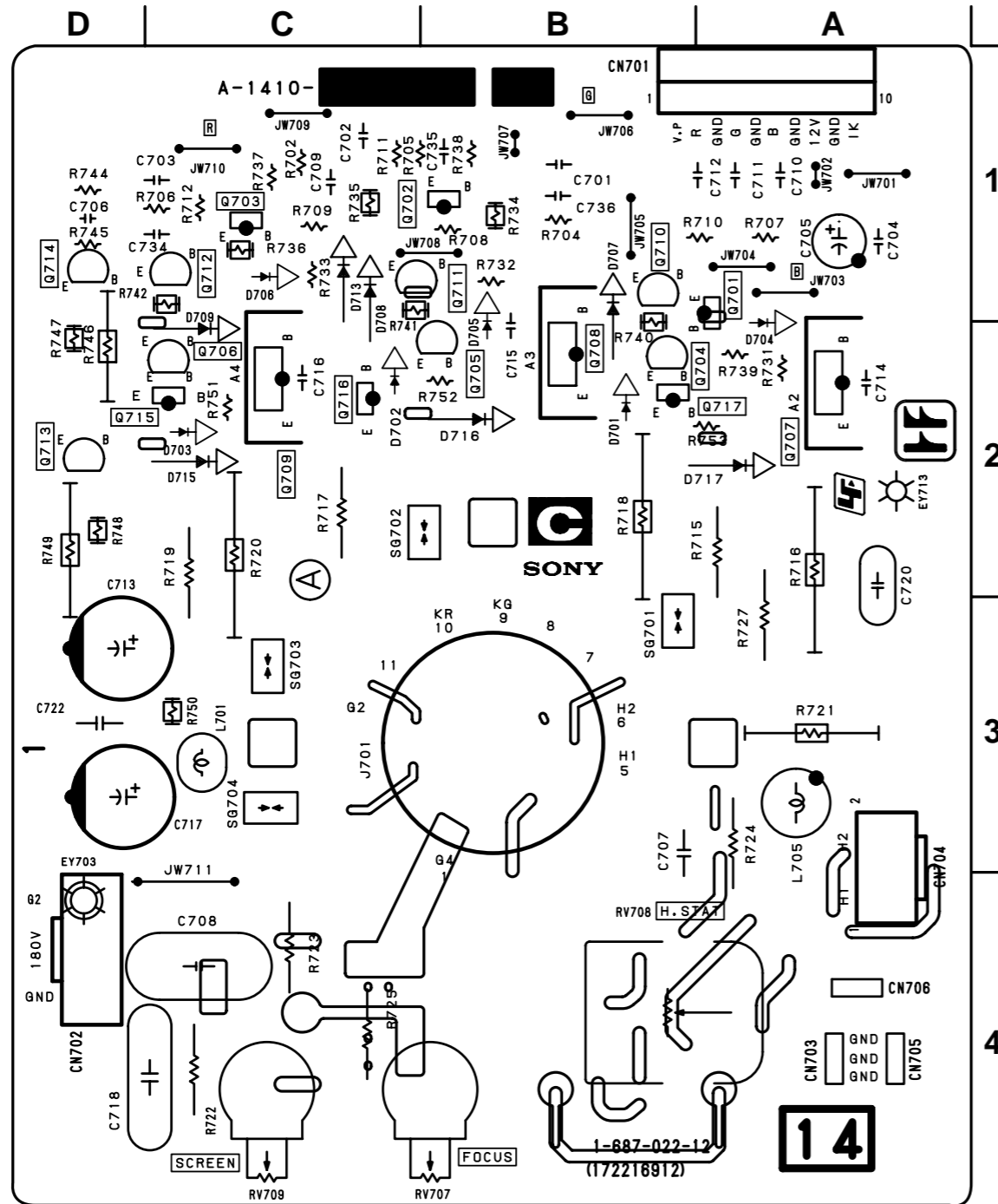


B - B SIDE -
SUFFIX: -12

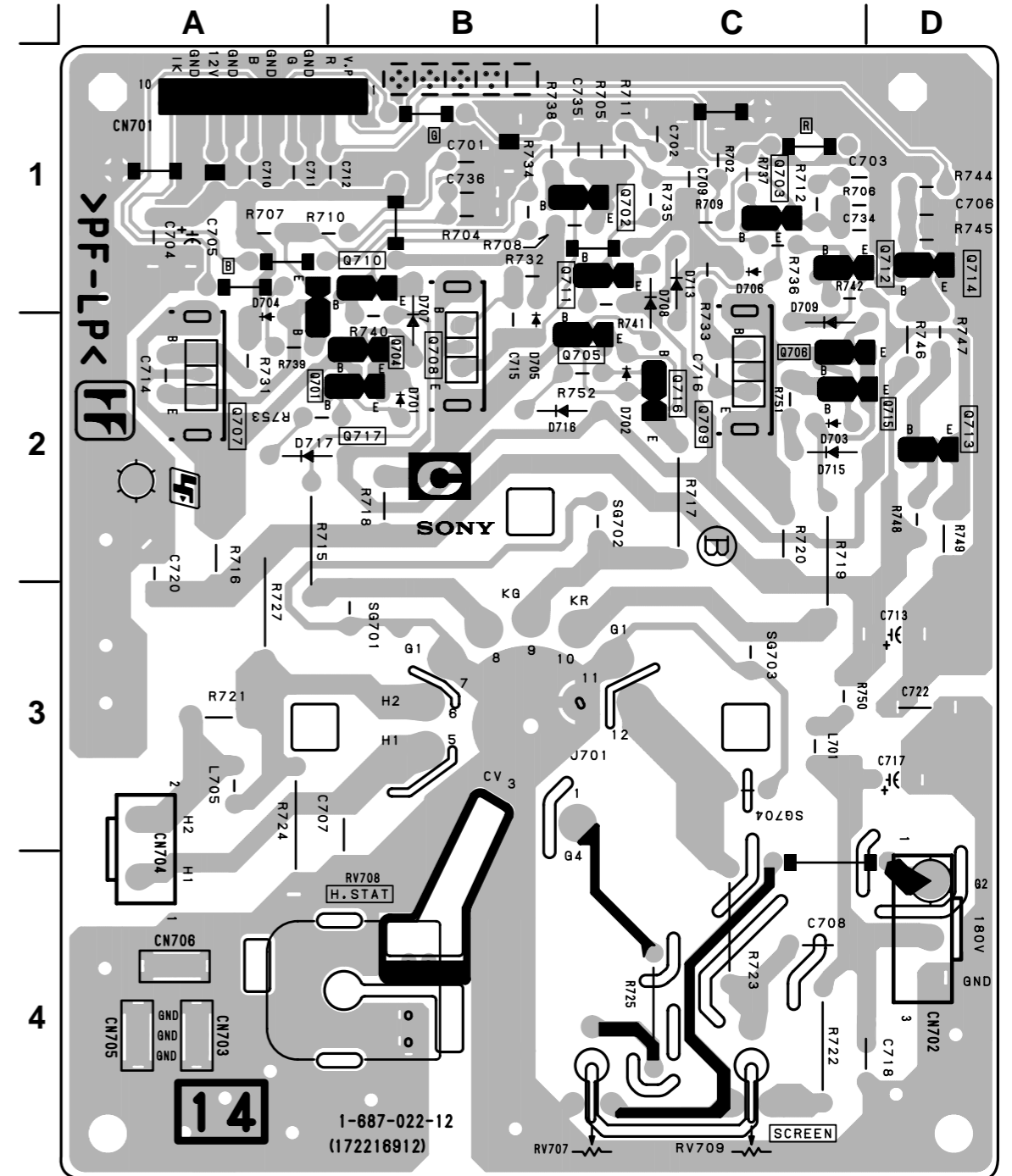
C BOARD (PVM-14L2)

*:B SIDE

D701	B-2
D702	C-2
D703	C-2
D704	A-2
D705	B-1
D706	C-1
D707	B-1
D708	C-1
D709	C-2
D713	C-1
D715	C-2
D716	B-2
D717	A-2
Q701	A-1
Q702	B-1
Q703	C-1
Q704	B-2
Q705	B-2
Q706	C-2
Q707	A-2
Q708	B-2
Q709	C-2
Q710	B-1
Q711	B-1
Q712	C-1
Q713	D-2
Q714	D-1
Q715	C-2
Q716	C-2
Q717	B-2
RV707	B-4
RV708	B-4
RV709	C-4

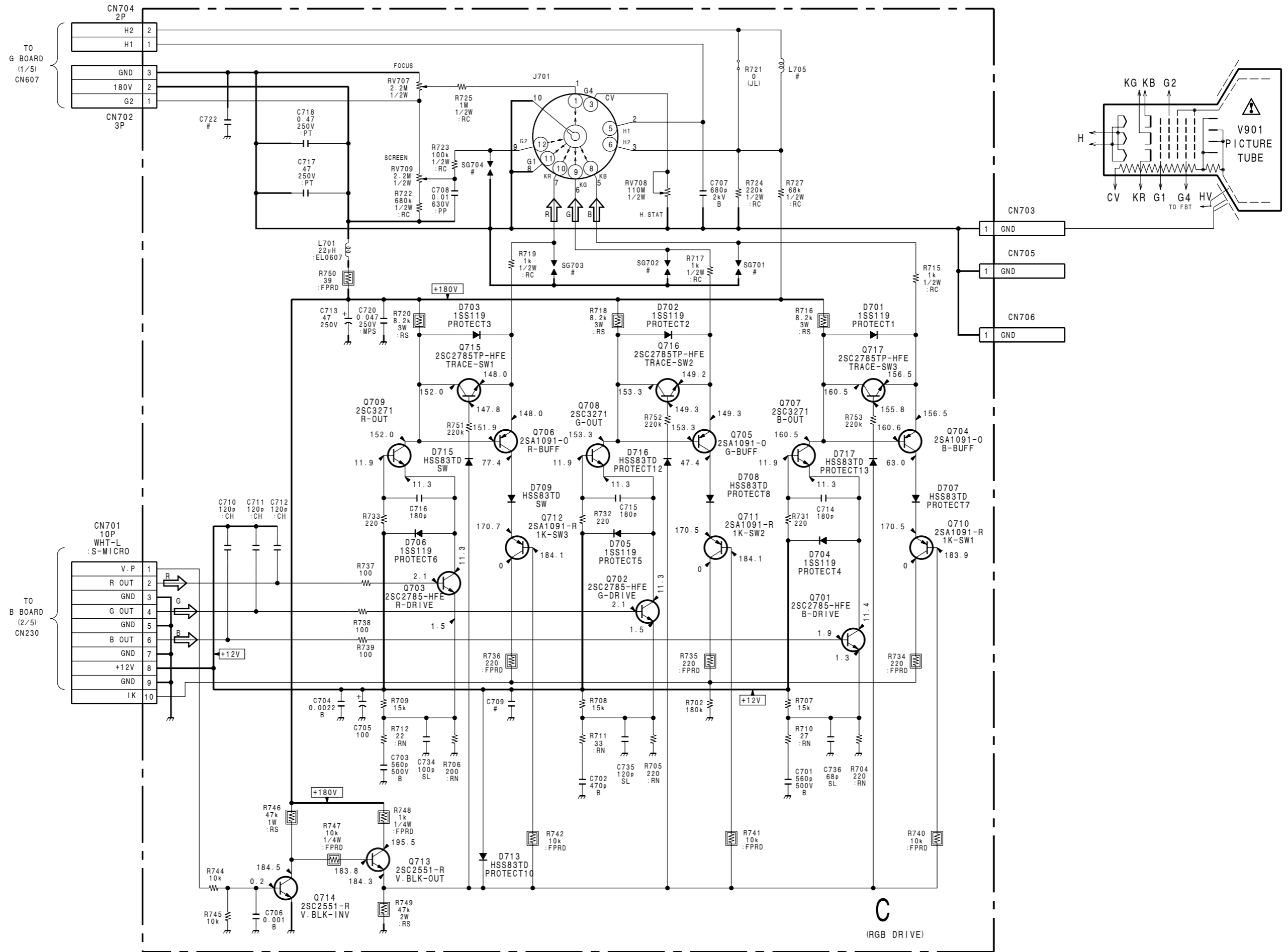


C -A SIDE-
SUFFIX: -12



C -B SIDE-
SUFFIX: -12

C (PVM-14L2) C (PVM-14L2)

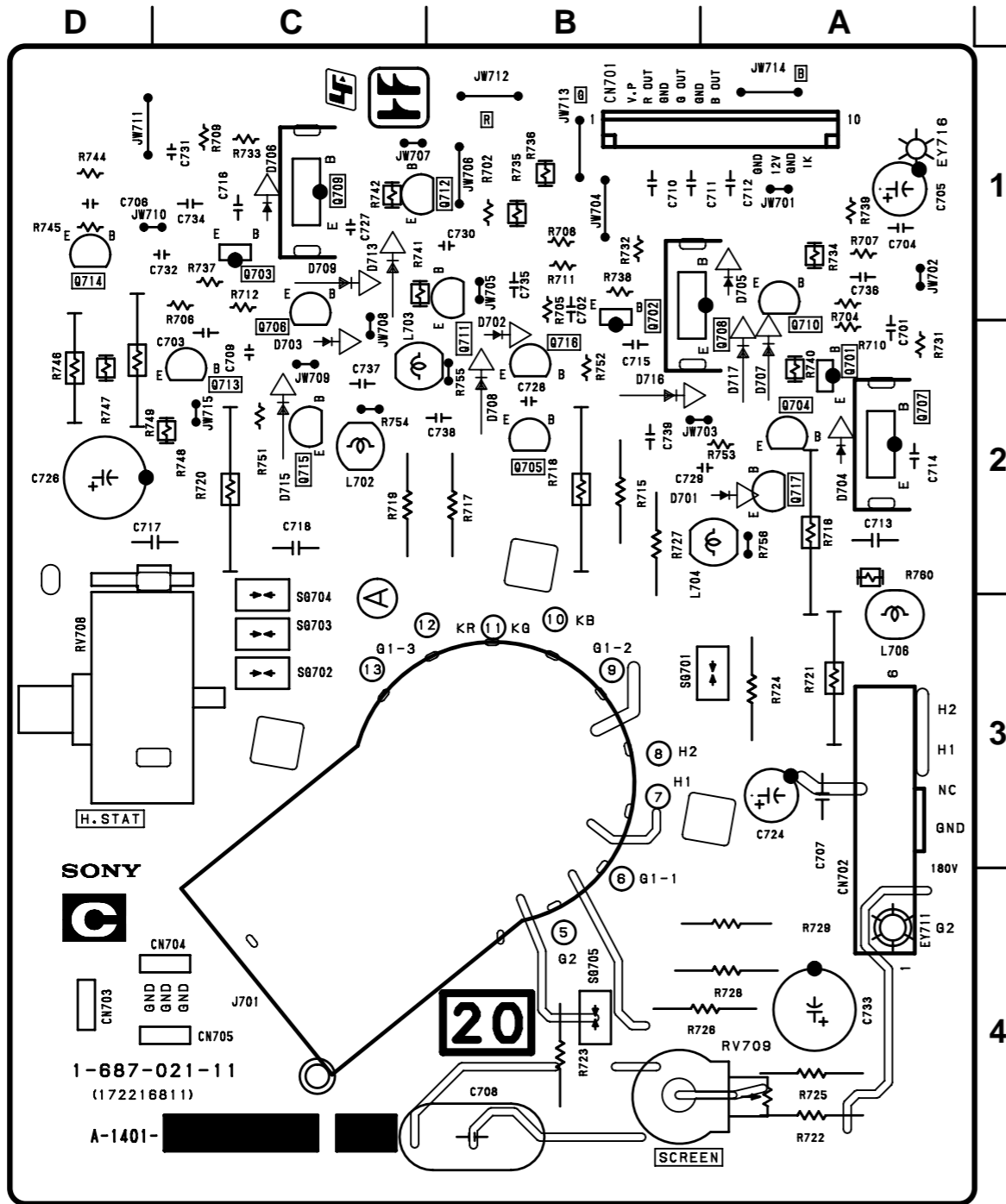


B-SS9779-SY-C

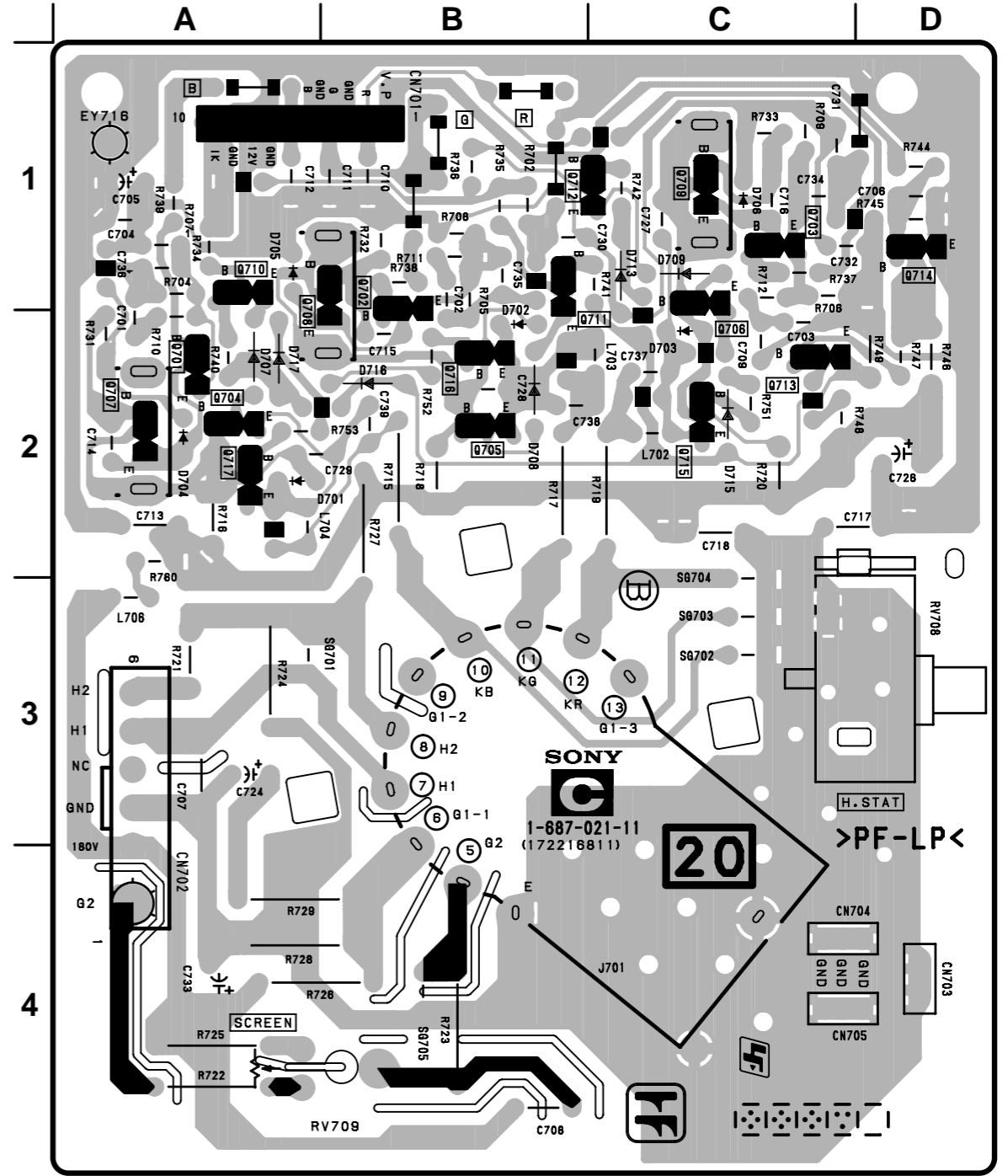
C BOARD (PVM-20L2)

*:B SIDE

- | | |
|-------|-----|
| D701 | A-2 |
| D702 | B-2 |
| D703 | C-2 |
| D704 | A-2 |
| D705 | A-1 |
| D706 | C-1 |
| D707 | A-2 |
| D708 | B-2 |
| D709 | C-1 |
| D713 | C-1 |
| D715 | C-2 |
| D716 | B-2 |
| D717 | A-2 |
| Q701 | A-2 |
| Q702 | B-1 |
| Q703 | C-1 |
| Q704 | A-2 |
| Q705 | B-2 |
| Q706 | C-1 |
| Q707 | A-2 |
| Q708 | B-1 |
| Q709 | C-1 |
| Q710 | A-1 |
| Q711 | B-1 |
| Q712 | C-1 |
| Q713 | C-2 |
| Q714 | D-1 |
| Q715 | C-2 |
| Q716 | B-2 |
| Q717 | A-2 |
| RV708 | D-3 |
| RV709 | A-4 |

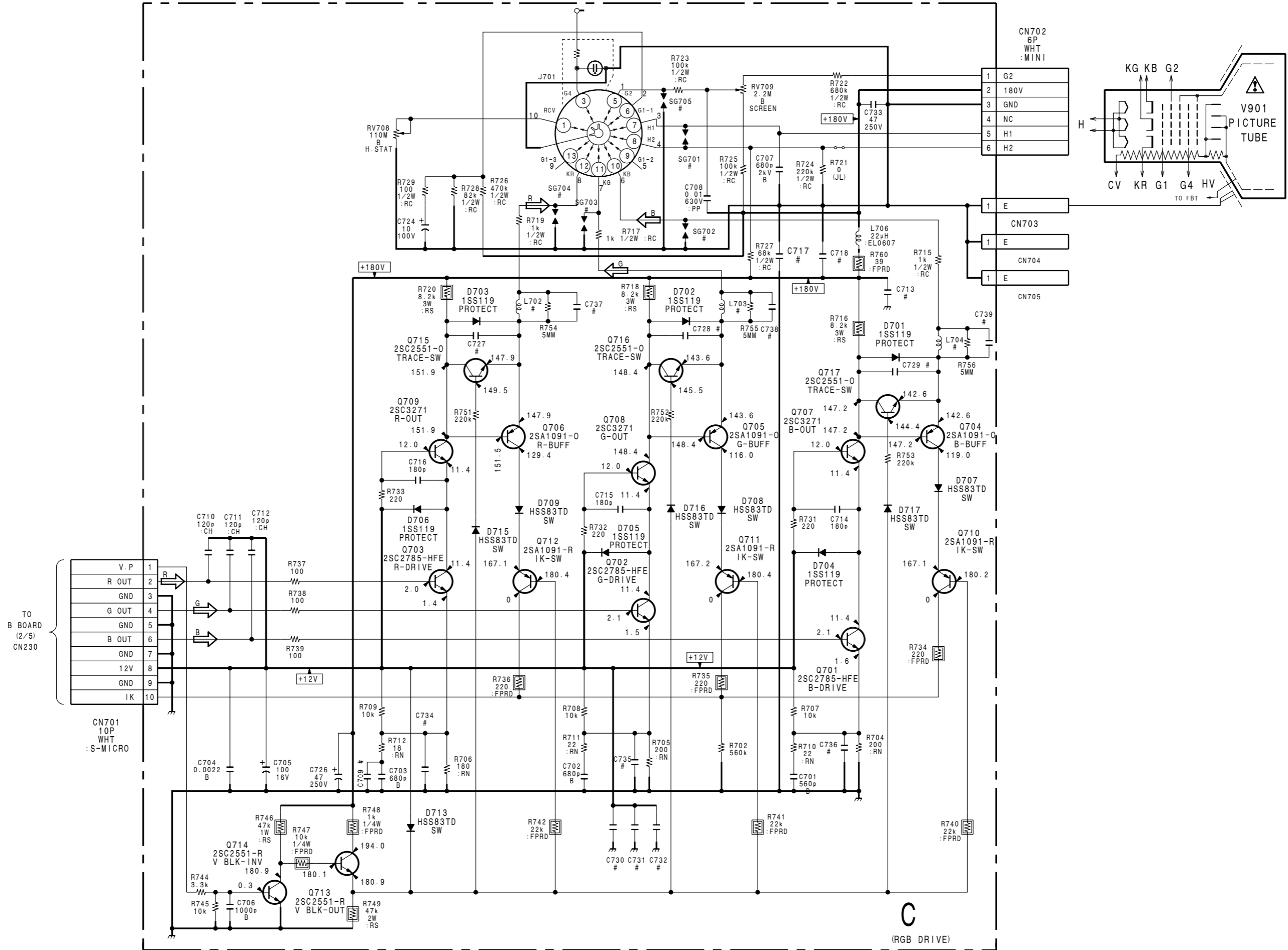


C - A SIDE-
SUFFIX: -11

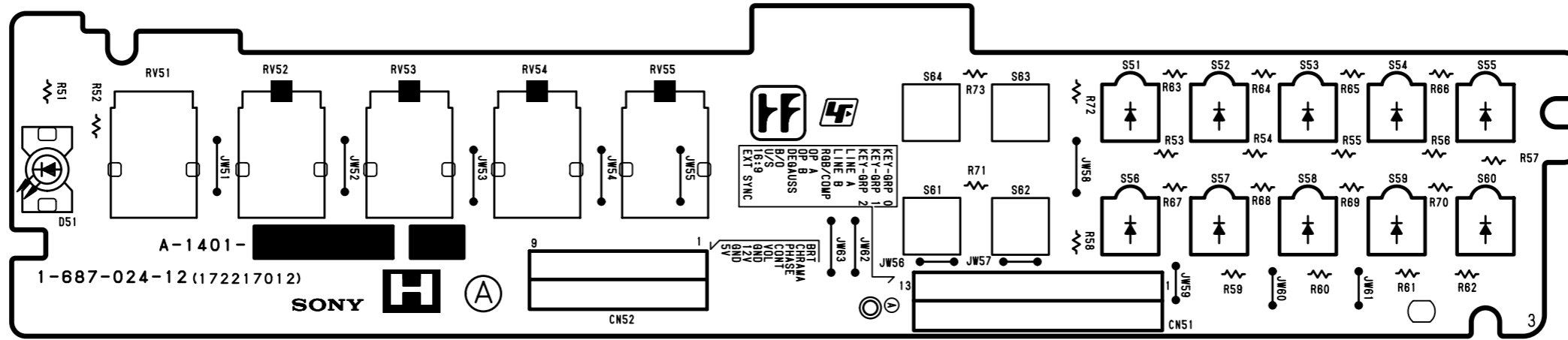


C - B SIDE-
SUFFIX: -11

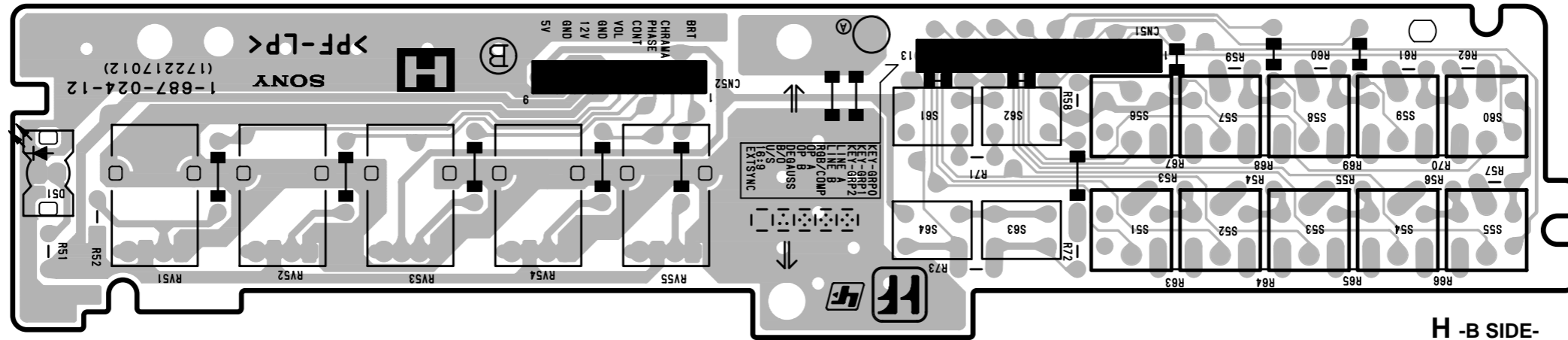
C (PVM-20L2) C (PVM-20L2)



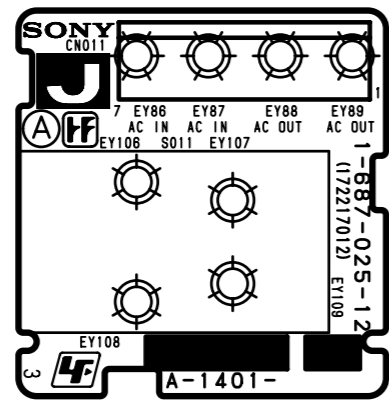
B-SS9780-SY-C



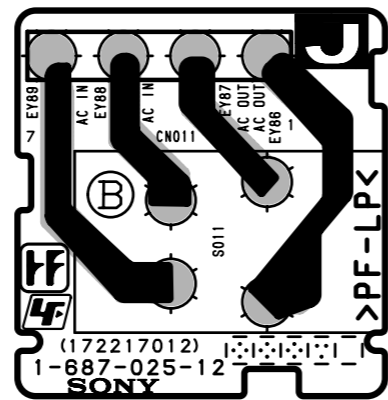
H -A SIDE-
SUFFIX: -12



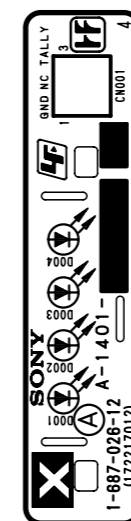
H -B SIDE-
SUFFIX: -12



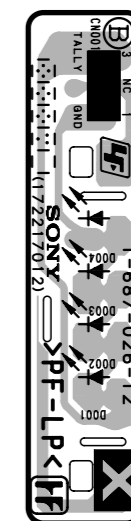
J -A SIDE-
SUFFIX: -12



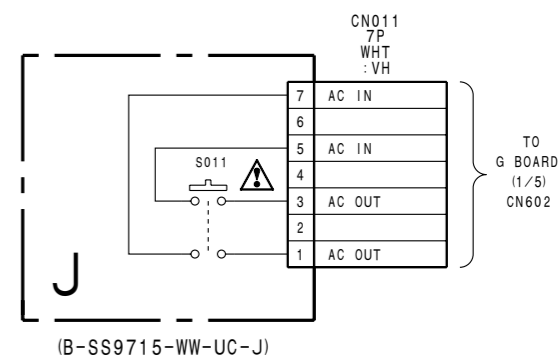
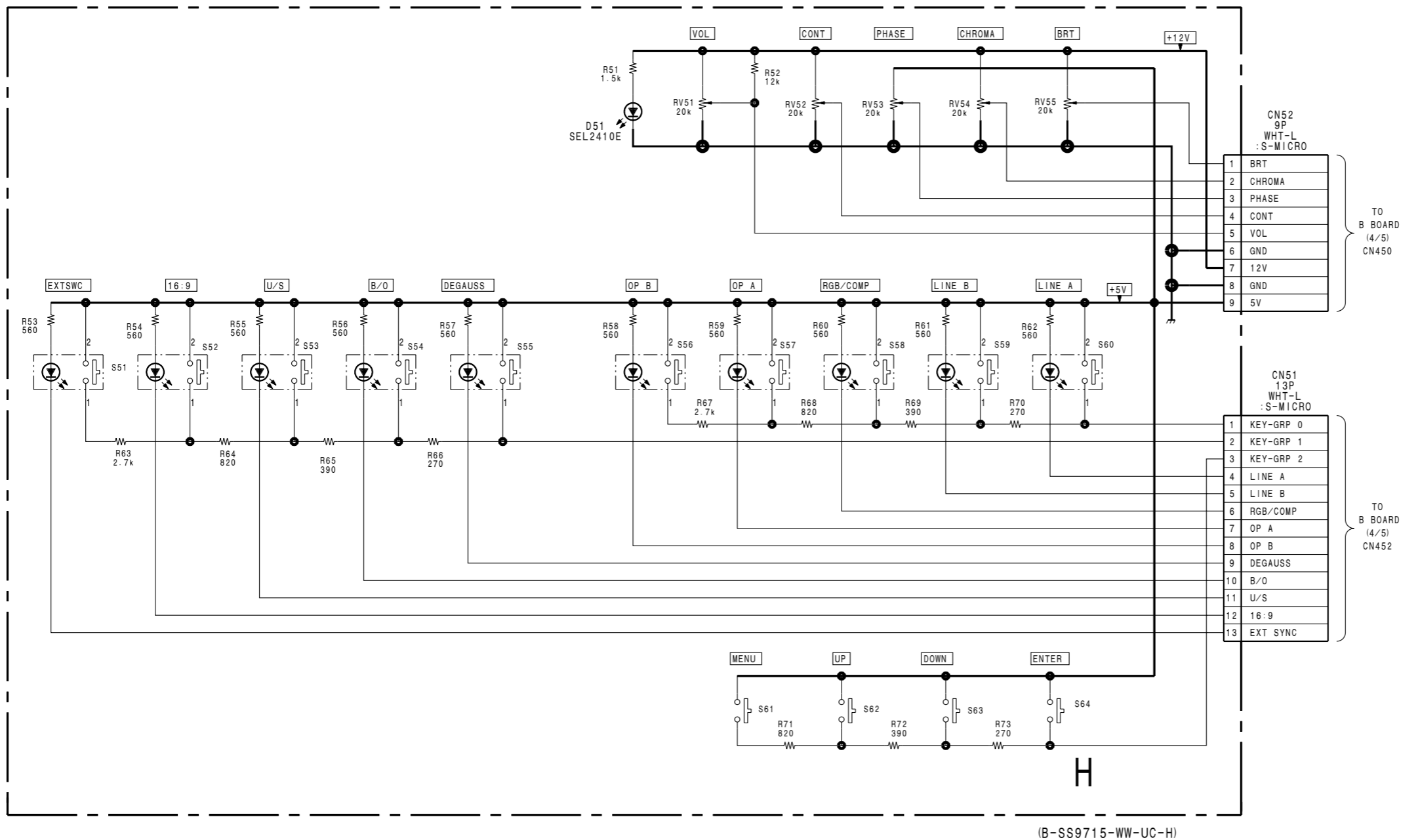
J -B SIDE-
SUFFIX: -12



X -A SIDE-
SUFFIX: -12



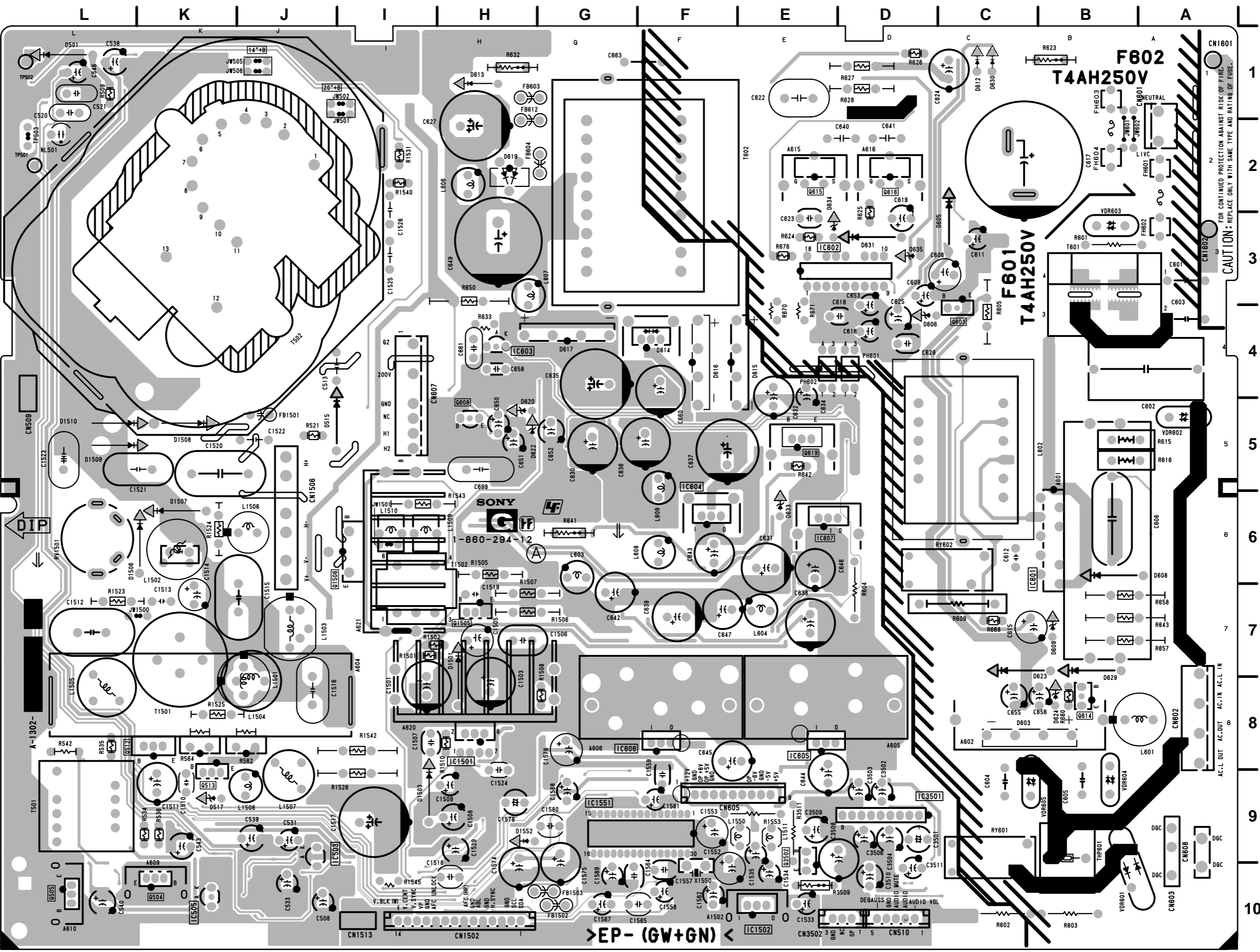
X -B SIDE-
SUFFIX: -12

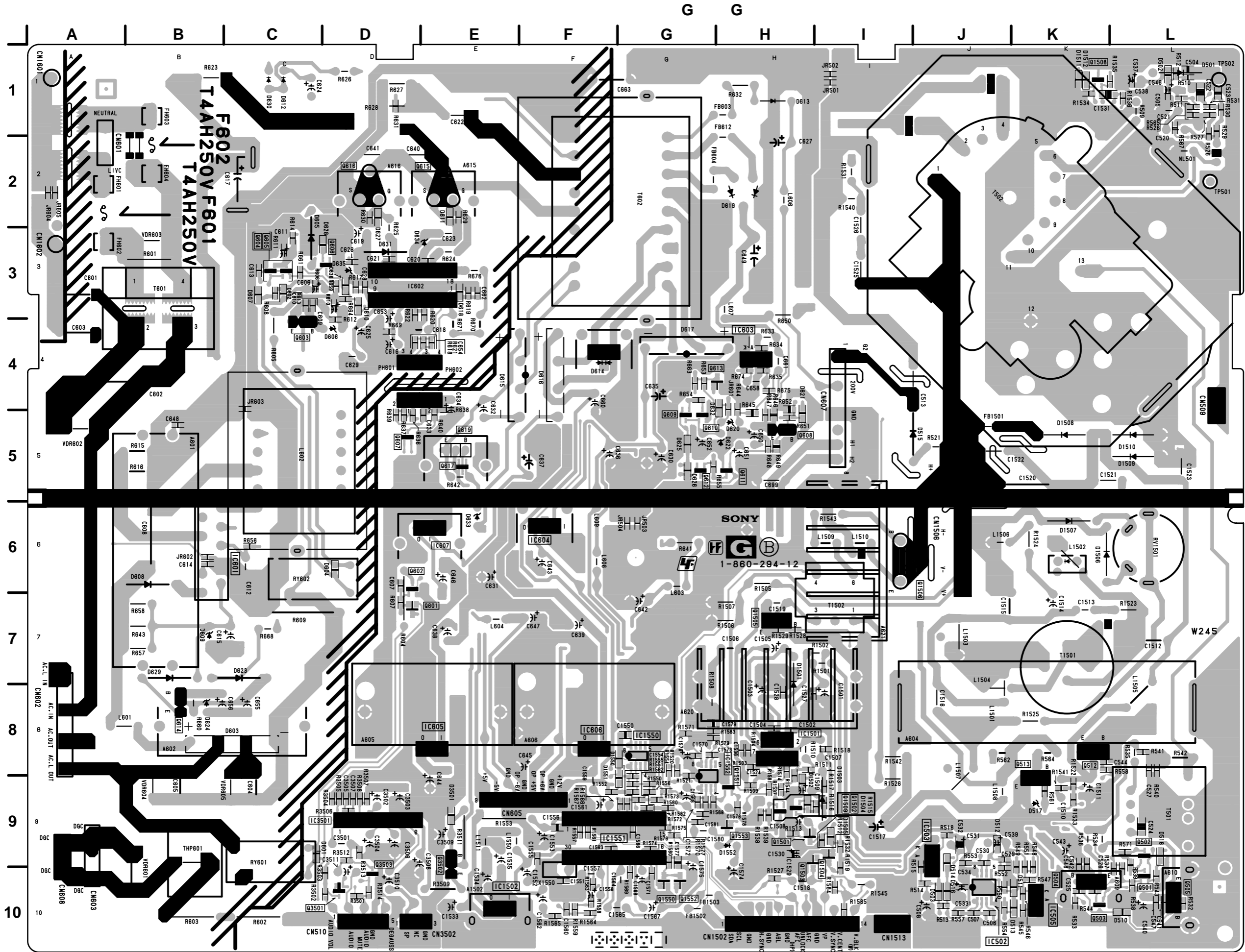


G BOARD

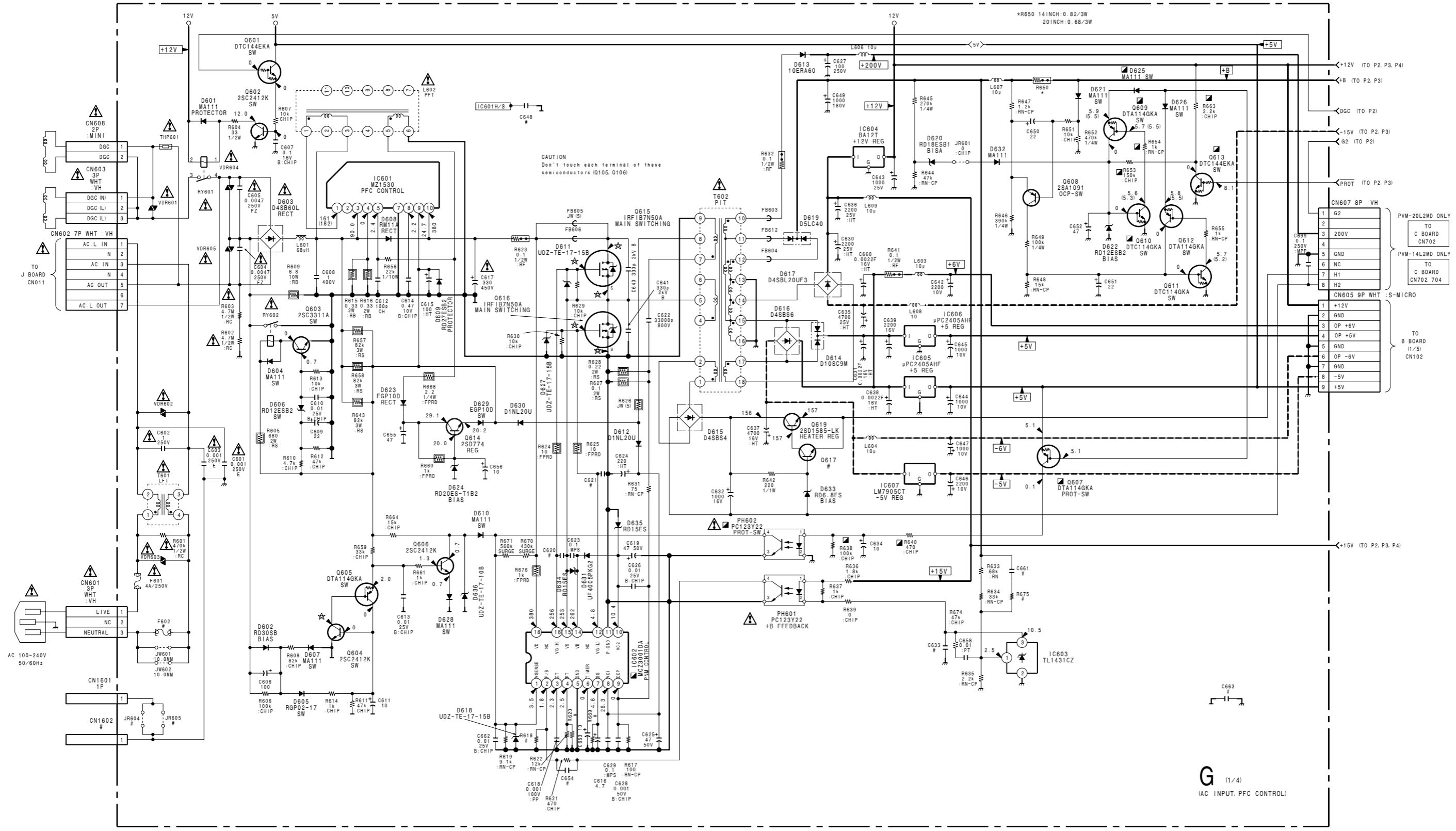
*:B SIDE

- D501 L-1
- D502 * L-1
- D503 * J-10
- D510 * L-10
- D511 * J-10
- D512 * J-10
- D513 * J-10
- D514 * J-10
- D515 J-5
- D516 J-10
- D517 K-9
- D518 L-9
- D601 * C-9
- D602 * C-3
- D603 A-8
- D604 * C-3
- D605 D-3
- D606 D-4
- D607 * C-3
- D608 B-4
- D609 D-5
- D610 * D-3
- D611 F-2
- D612 E-2
- D613 H-4
- D614 F-4
- D615 E-4
- D616 F-5
- D617 E-6
- D618 F-6
- D619 G-4
- D620 G-5
- D621 H-4
- D622 G-5
- D623 C-7
- D624 C-8
- D625 H-5
- D626 H-5
- D627 E-2
- D628 G-5
- D629 C-7
- D630 C-4
- D631 * D-2
- D632 * H-5
- D633 D-5
- D1501 H-7
- D1502 * H-9
- D1503 I-9
- D1504 * H-9
- D1505 * I-9
- D1506 L-6
- D1507 K-6
- D1508 K-5
- D1509 L-5
- D1510 L-5
- D1511 K-1
- D1512 K-1
- D1550 * F-8
- D1551 * F-9
- D1552 H-9
- D3501 * E-9
- IC502 J-10
- IC503 J-9
- IC505 K-10
- IC601 C-6
- IC602 D-3
- IC603 F-4
- IC604 E-4
- IC605 E-8
- IC606 F-8
- IC607 D-6
- IC1501 H-8
- IC1502 E-10
- IC1550 * G-8
- IC1551 * G-9
- IC1552 * G-9
- IC3501 D-9
- Q501 L-10
- Q502 L-9
- Q503 * K-10
- Q504 K-10
- Q505 L-10
- Q512 K-8
- Q513 K-8
- Q601 * D-7
- Q602 * D-6
- Q603 * C-3
- Q604 * C-3
- Q605 * C-3
- Q606 E-2
- Q607 * D-4
- Q608 H-4
- Q609 * H-4
- Q610 * H-5
- Q611 * H-5
- Q612 * H-5
- Q613 H-5
- Q614 C-8
- Q615 D-2
- Q616 D-2
- Q617 D-3
- Q618 D-3
- Q619 D-5
- Q1501 * H-9
- Q1502 * H-9
- Q1503 * H-9
- Q1504 * I-9
- Q1505 H-7
- Q1506 I-6
- Q1508 K-1
- Q1509 H-9
- Q1550 * G-10
- Q1551 H-9
- Q1552 * G-10
- Q1553 * H-9
- Q3501 D-10
- Q3502 E-9
- Q3503 * D-10
- RV1501 L-6
- TP501 L-1
- TP502 L-1
- TP503 L-2





1
2
3
4
5



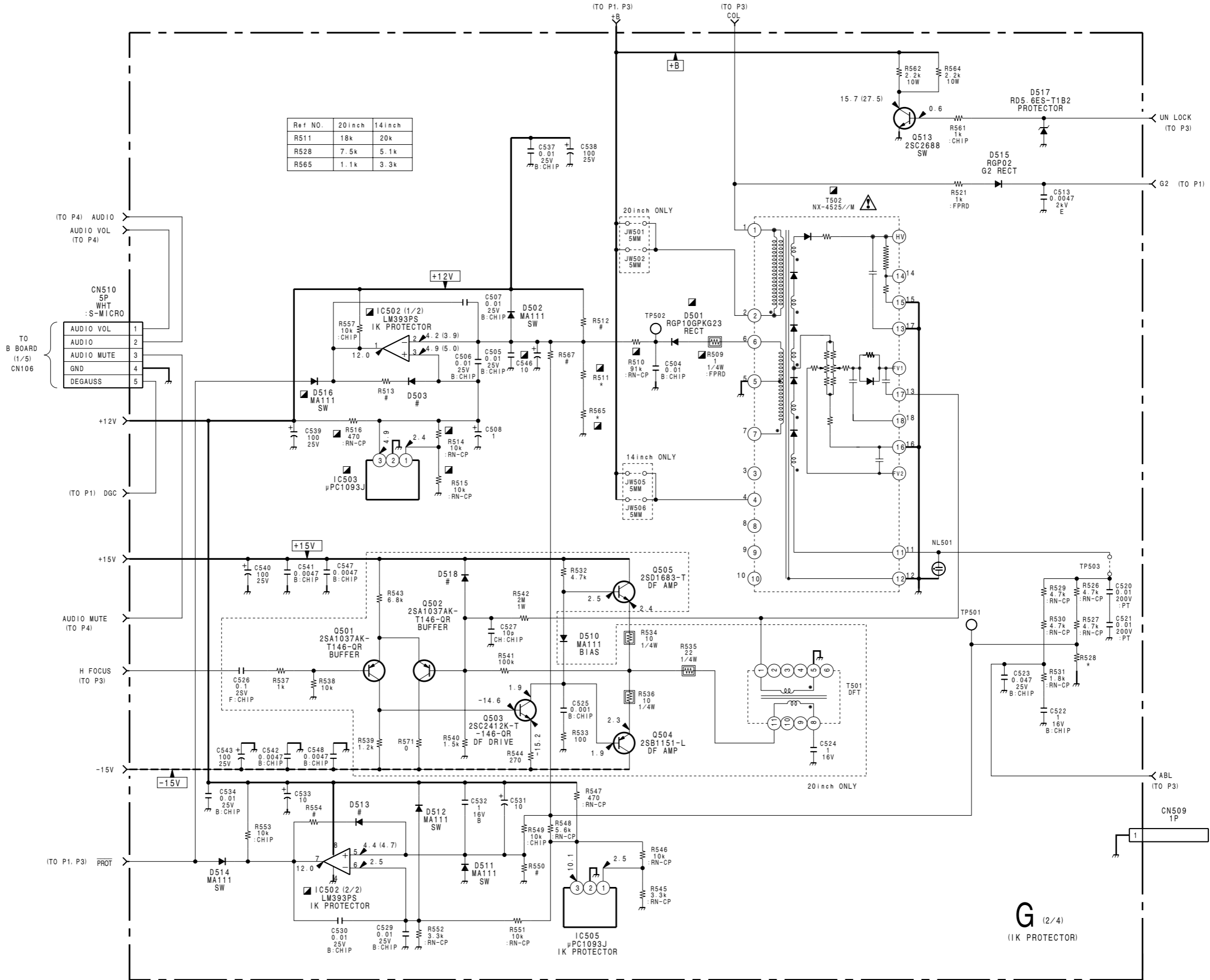
CAUTION
Don't touch each terminal of these
semiconductors (O105, O106)

G (1/4)
(AC INPUT, PFC CONTROL)

B-SS9779-SY-G-P1

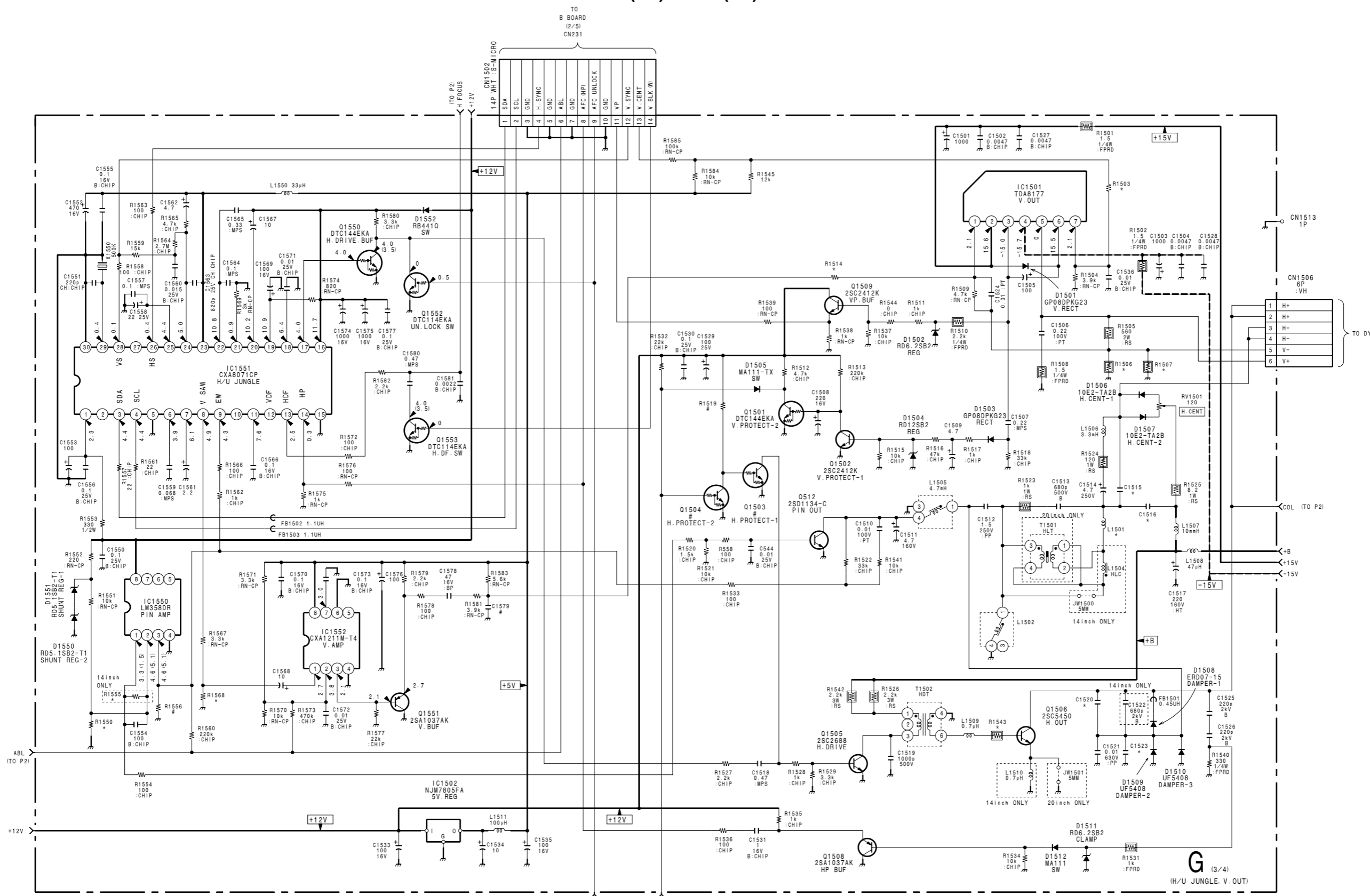
A B C D E F G H

G (2/4) G (2/4)

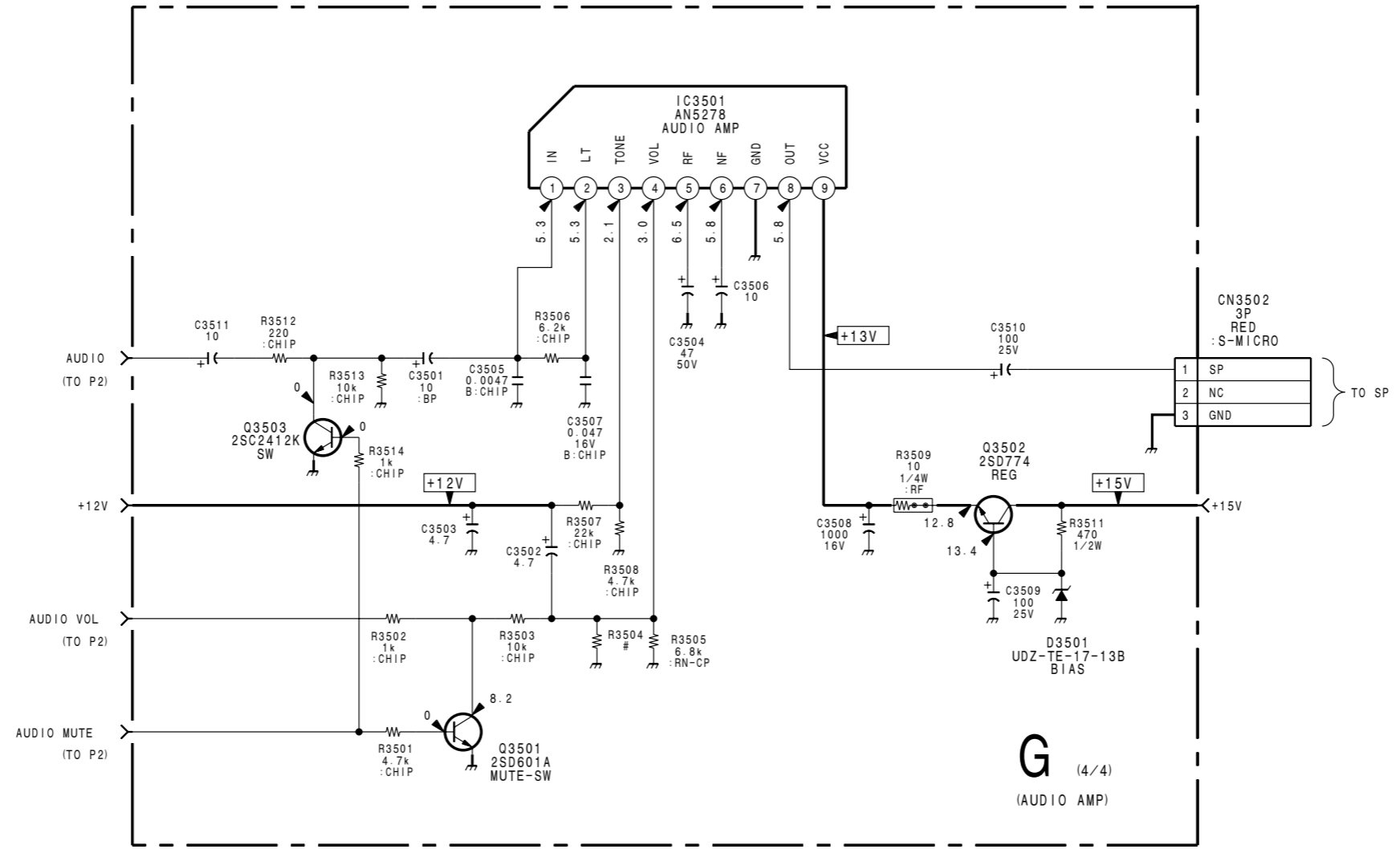


G (2/4)
(1K PROTECTOR)

B-SS9779-SY-G-P2



Ref NO.	20inch	14inch
C1515	1.5 250V :PP	1.8 250V :PP
C1516	0.33 250V :PP	0.24 250V :PP
C1520	0.011 1.5KV	8200pF 1.5KV
C1523	0.0033 630V	680p 1.5KV
L1501	100uH	220uH
R1503	150	180
R1506	1.5 2W	2.2 2W
R1507	1.2 2W	2.2 2W
R1514	1.2k	1.3k
R1543	0.47 2W	1.5 2W
R1550	8.2k	10k
R1568	1k	1.5k



G (4/4)
(AUDIO AMP)

B-SS9779-SY-G-P4

1

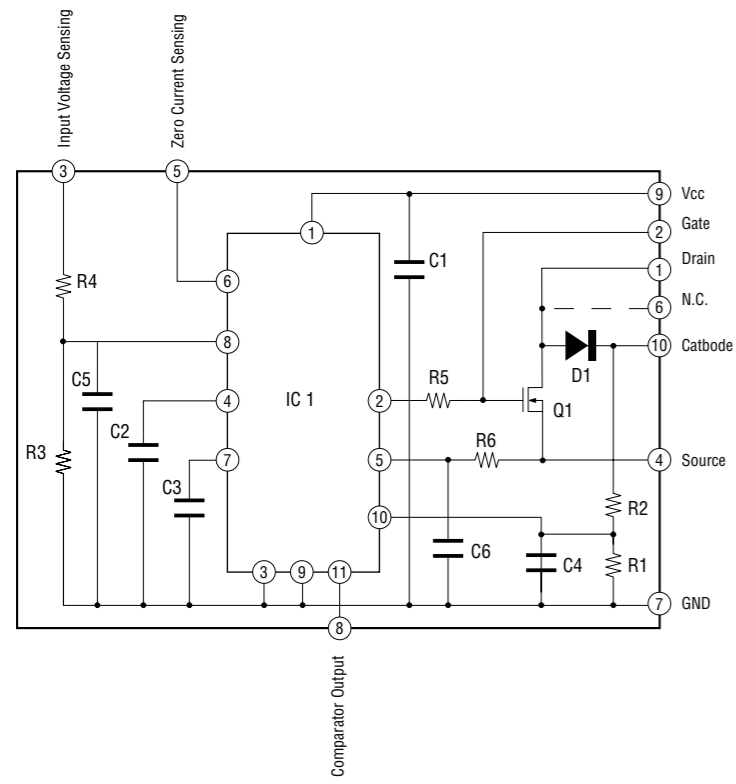
2

3

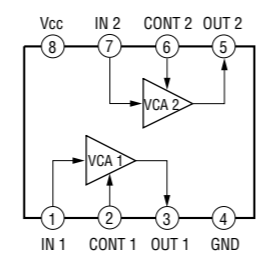
4

5

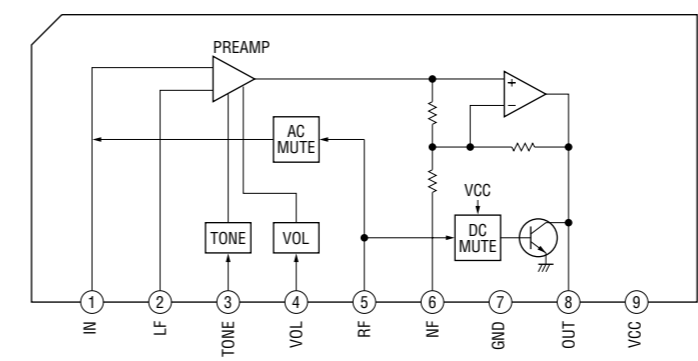
G (1/4) MZ1530 (IC601)



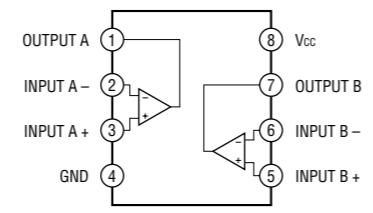
G (3/4) CXA1211M-T4 (IC1552)



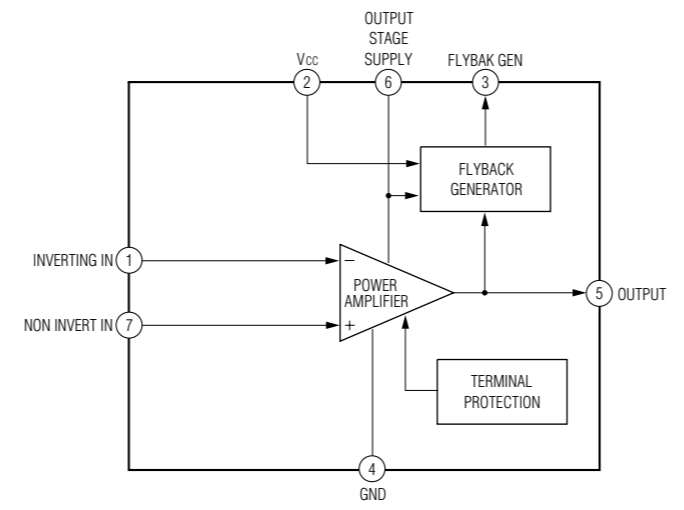
G (4/4) AN5278 (IC3501)



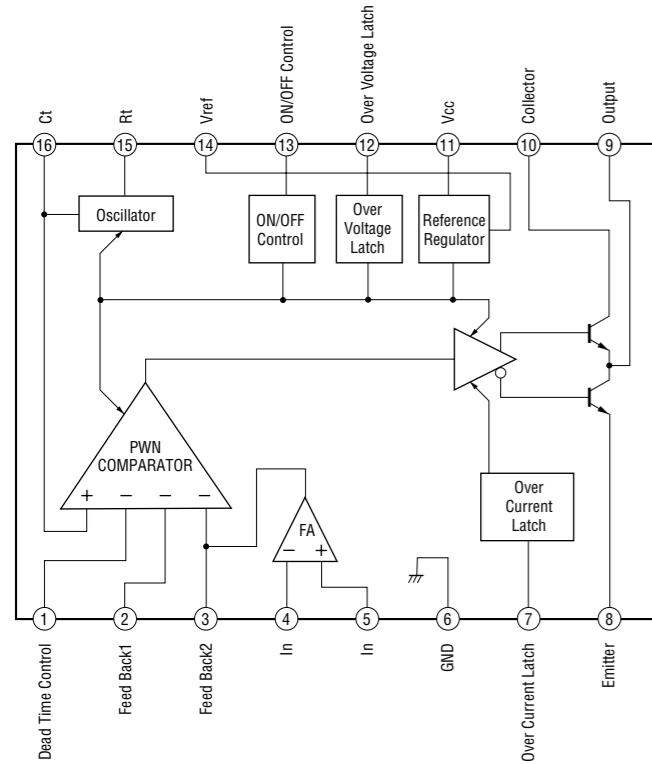
G (3/4) LM358DR (IC1550)



G (3/4) TDA8177 (IC1501)



G (1/4) μPC1905GS-E2 (IC602)



SAFETY CHECK-OUT

After correcting the original service problem, perform the following safety checks before releasing the set to the customer :

Check the metal trim, "metallized" knobs, screws, and all other exposed metal parts for AC leakage. Check leakage as described below.

LEAKAGE TEST

The AC leakage from any exposed metal part to earth ground and from all exposed metal parts to any exposed metal part having a return to chassis, must not exceed 0.5 mA. Leakage current can be measured by any one of three methods.

1. A commercial leakage tester, such as the Simpson 229 or RCA WT-540A. Follow the manufacturers' instructions to use these instruments.
2. A battery-operated AC milliammeter. The Data Precision 245 digital multimeter is suitable for this job.
3. Measuring the voltage drop across a resistor by means of a VOM or battery-operated AC voltmeter. The "limit" indication is 0.75 V, so analog meters must have an accurate low-voltage scale. The Simpson 250 and Sanwa SH-63Trd are examples of a passive VOM that is suitable. Nearly all battery operated digital multimeters that have a 2 V AC range are suitable. (See Fig. A)

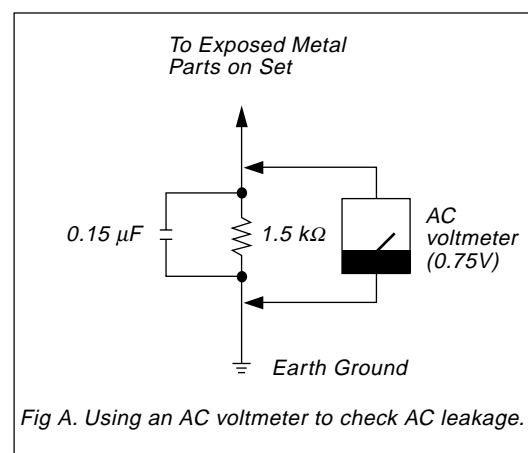


Fig A. Using an AC voltmeter to check AC leakage.

PVM-14L2 (SY, AUS, CH)
PVM-20L2 (SY, AUS, CH) E
9-870-356-11

Sony Corporation
B&P Company

Printed in Japan
2004. 3 16
©2004